

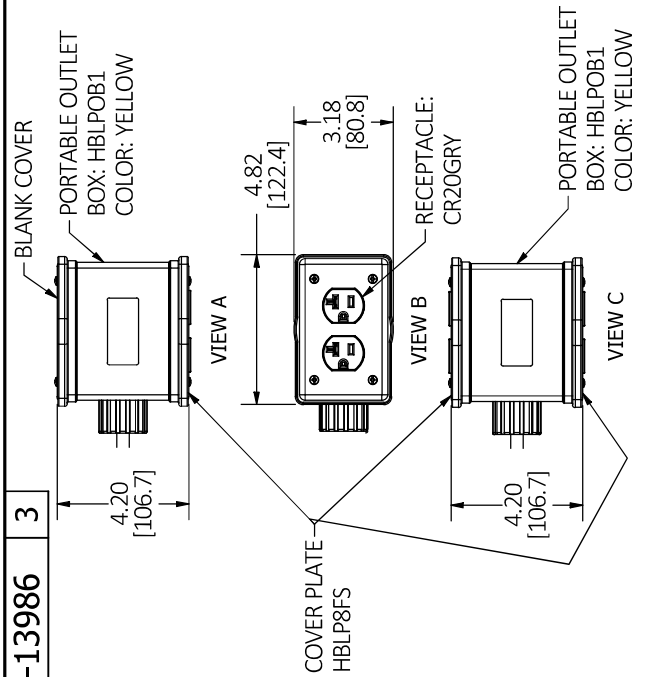
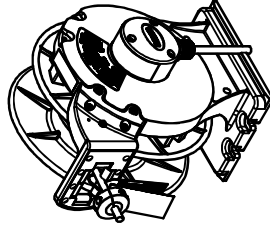
SEE TABLE

B

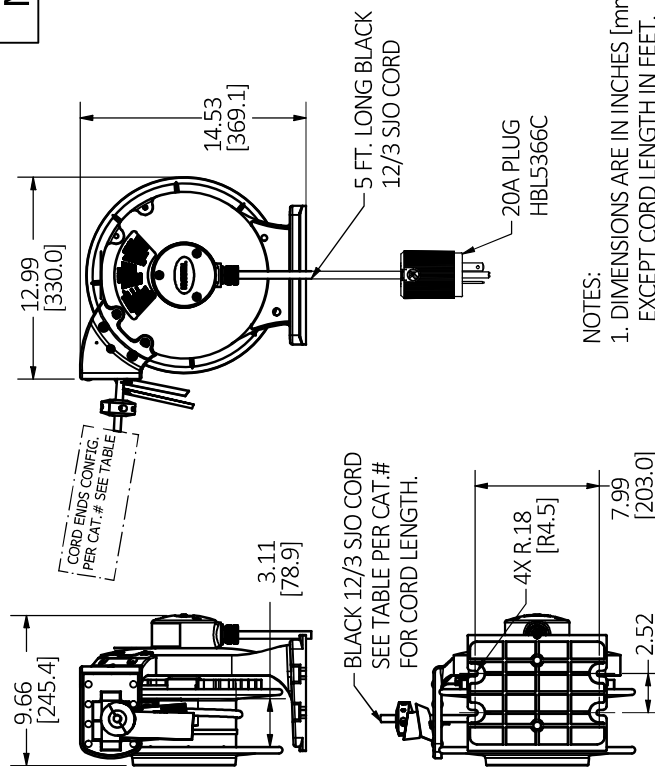
M-13986

3

| LIST OF PARTS | | |
|----------------------|---------------|----------------|
| DESCRIPTION | MATERIAL | FINISH |
| SPOOL WITH RATCHET | ALUMINIUM | POWDER COATING |
| SPOOL | ALUMINIUM | POWDER COATING |
| WIRING CHAMBER COVER | ALUMINIUM | POWDER COATING |
| SPRING BOX COVER | STEEL | ZINC PLATE |
| CLOCKWORK SPRING | SPRING STEEL | |
| GUIDE ARM | ALUMINIUM | POWDER COATING |
| GUIDE FRAME | THERMOPLASTIC | BLACK |
| HARDWARE | STEEL | ZINC PLATE |
| SPINDLE | STEEL | ZINC PLATE |
| CORD | COPPER | |
| BALL STOPPER | THERMOPLASTIC | BLACK |
| INTERNAL TERMINALS | COPPER ALLOY | |
| FITTING | ALUMINIUM | |

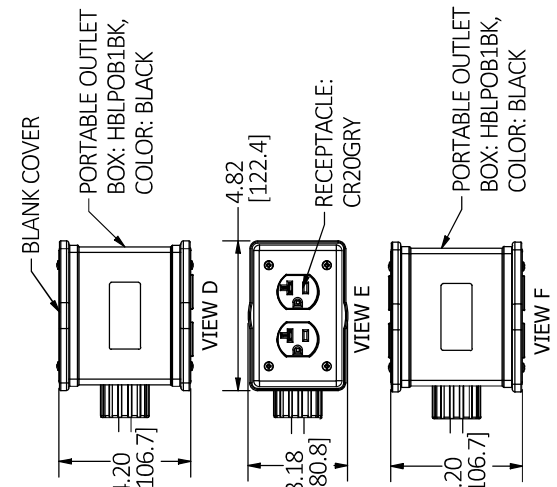


M-13986 **3**



NOTES:
1. DIMENSIONS ARE IN INCHES [mm]
EXCEPT CORD LENGTH IN FEET.

| CATALOG | DESCRIPTION | CONFIG. TOP VIEW | CONFIG. SIDE VIEW | RATING | CORD LENGTH | REEL COLOR | APPROX. WEIGHT |
|-----------------|----------------------------------------|------------------|-------------------|----------|-------------|------------|------------------|
| HBL45123R20 | REEL W/ (1) DPLX, PLATE, COVER, 45' | B | A | 20A 125V | 45 FT. | WHITE | 26.5 LB [12.0KG] |
| HBL35123R20 | REEL W/ (1) DPLX, PLATE, COVER, 35' | B | A | 20A 125V | 35 FT. | WHITE | 24.9 LB [11.3KG] |
| HBL45123R20M1 | REEL W/ (1) DPLX, PLATE, COVER, 25' | B | A | 20A 125V | 25 FT. | WHITE | 23.4 LB [10.6KG] |
| HBL35123R20M1 | REEL W/ (1) DPLX, PLATE, COVER, 45' | E | D | 20A 125V | 45 FT. | WHITE | 26.5 LB [12.0KG] |
| HBL45123R20M1 | REEL W/ (1) DPLX, PLATE, COVER, 35' | E | D | 20A 125V | 35 FT. | WHITE | 24.9 LB [11.3KG] |
| HBL35123R20M1 | REEL W/ (1) DPLX, PLATE, COVER, 25' | E | D | 20A 125V | 25 FT. | WHITE | 23.4 LB [10.6KG] |
| HBL45123R220 | REEL W/ (2) DPLX, PLATE, COVER, 45' | B | C | 20A 125V | 45 FT. | WHITE | 26.5 LB [12.0KG] |
| HBL35123R220 | REEL W/ (2) DPLX, PLATE, COVER, 35' | B | C | 20A 125V | 35 FT. | WHITE | 24.9 LB [11.3KG] |
| HBL45123R20M1 | REEL W/ (2) DPLX, PLATE, COVER, 25' | E | F | 20A 125V | 45 FT. | WHITE | 26.5 LB [12.0KG] |
| HBL35123R20M1 | REEL W/ (2) DPLX, PLATE, COVER, 45' | E | F | 20A 125V | 35 FT. | WHITE | 24.9 LB [11.3KG] |
| HBL45123R20Y | YL REEL W/ (1) DPLX, PLATE, COVER, 45' | B | A | 20A 125V | 45 FT. | YELLOW | 26.5 LB [12.0KG] |
| HBL35123R20Y | YL REEL W/ (1) DPLX, PLATE, COVER, 35' | B | A | 20A 125V | 35 FT. | YELLOW | 24.9 LB [11.3KG] |
| HBL45123R20M1Y | YL REEL W/ (1) DPLX, PLATE, COVER, 25' | E | D | 20A 125V | 45 FT. | YELLOW | 26.5 LB [12.0KG] |
| HBL35123R20M1Y | YL REEL W/ (1) DPLX, PLATE, COVER, 35' | E | D | 20A 125V | 35 FT. | YELLOW | 24.9 LB [11.3KG] |
| HBL45123R20M1Y | YL REEL W/ (1) DPLX, PLATE, COVER, 25' | E | D | 20A 125V | 25 FT. | YELLOW | 23.4 LB [10.6KG] |
| HBL35123R220Y | YL REEL W/ (2) DPLX, PLATE, COVER, 45' | B | C | 20A 125V | 45 FT. | YELLOW | 26.5 LB [12.0KG] |
| HBL45123R220Y | YL REEL W/ (2) DPLX, PLATE, COVER, 35' | B | C | 20A 125V | 35 FT. | YELLOW | 24.9 LB [11.3KG] |
| HBL35123R220M1Y | YL REEL W/ (2) DPLX, PLATE, COVER, 25' | E | F | 20A 125V | 45 FT. | YELLOW | 26.5 LB [12.0KG] |
| HBL45123R220M1Y | YL REEL W/ (2) DPLX, PLATE, COVER, 45' | E | F | 20A 125V | 35 FT. | YELLOW | 24.9 LB [11.3KG] |
| HBL35123R220M1Y | YL REEL W/ (2) DPLX, PLATE, COVER, 25' | E | F | 20A 125V | 25 FT. | YELLOW | 23.4 LB [10.6KG] |



IN UPPER RT. VIEW: REPLACED LIFT COVER HBL52CM21 WITH COVER PLATE HBLP8FS AND DIMS PER DCN 211210015232_RM

ADDED ISO VIEW PER DCN #F95321101330_D1.U

NEW RELEASE PER DCN #24214.

1/24/22 WOV

4/18/2019

8/7/2018

DATE

APP

DESCRIPTION

THE DESIGN AND DIMENSIONS OF THE PRODUCT SHOWN ON THIS DRAWING ARE SUBJECT TO CHANGE WITHOUT NOTICE. DIMENSIONS ARE IN INCHES [mm].

TITLE

REEL WITH PORTABLE OUTLET BOX & 20A DUPLEX RCPT, UL TYPE 1



WIRING DEVICE-KELLENS HUBBELL INCORPORATED SHELTON, CT

DR. BY: D. LI SCALE: NONE

CHK. BY: DATE: 8/6/2018

CAGE CODE 74545