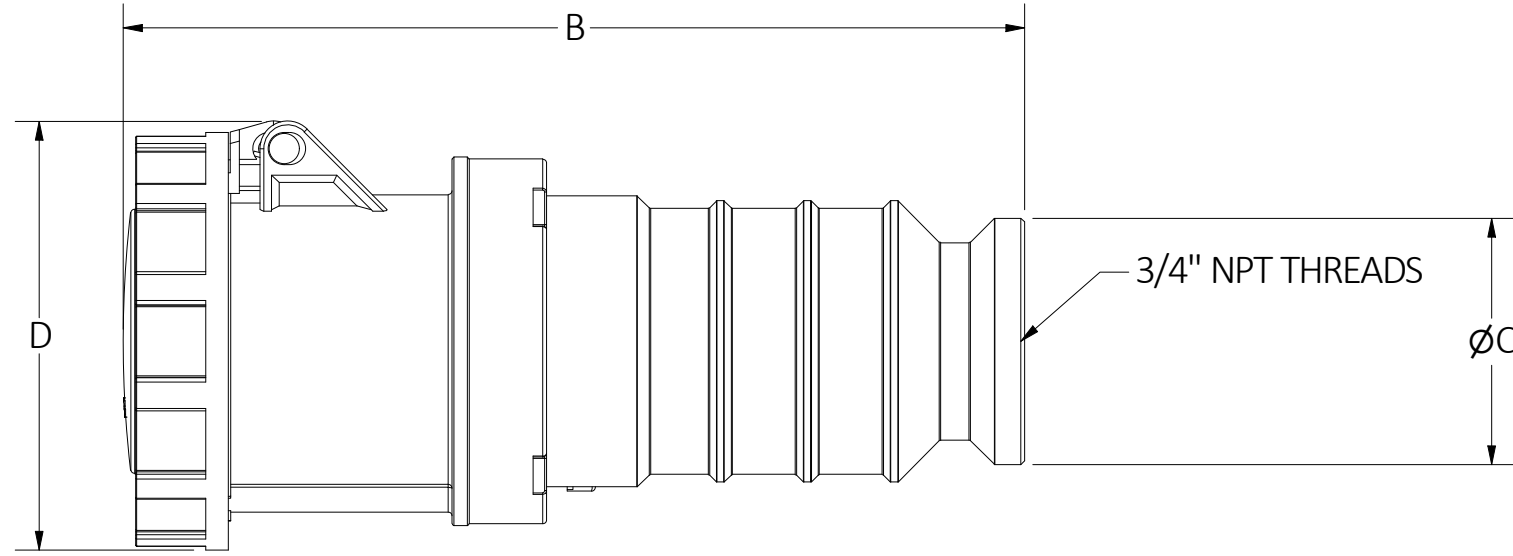
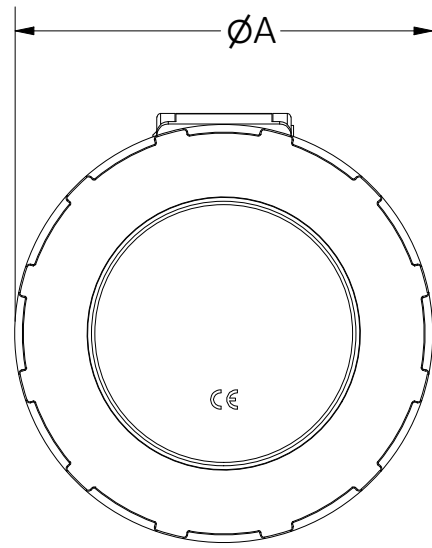


M-14501

1



KEY	60A					
	3 WIRE		4 WIRE		5 WIRE	
	IN.	MM	IN.	MM	IN.	MM
ØA	4.37	111	4.37	111	4.37	111
B	9.61	244	9.61	244	9.61	244
ØC	2.57	65	2.57	65	2.57	65
D	4.47	113,5	4.47	113,5	4.47	113,5

LIST OF PARTS		
DESCRIPTION	MATERIAL	FINISH
HOUSING	PBT/PC	
INTERIOR	NYLON GF	
SLEEVES	COPPER ALLOY	
COVER	PBT/PC	
GASKET	TPE/EPDM	
HINGE ARM	PBT/PC	
HINGE PIN	COPPER ALLOY	NICKEL PL.
HINGE SPRING	ST. STEEL	
ASSY. SCREWS	ST. STEEL	

NOTES:

1. UNITS ARE INCHES [mm].
2. UL LISTED. ENV. RATING IP67.
3. WIRE TERMINATION RANGE #8 TO #4 AWG.
4. USES SCREW TERMINATIONS.
5. ACCEPTS STANDARD UL LISTED 3/4" TRADE SIZE LIQUID TIGHT FITTINGS BOTH METALLIC & NON METALLIC.

LIQUID TIGHT CAT. NO'S	
CATALOG NO.	TRADE SIZE
C360C4WLT34	3/4 IN.
C360C6WLT34	3/4 IN.
C360C7WLT34	3/4 IN.
C460C5WLT34	3/4 IN.
C460C6WLT34	3/4 IN.
C460C7WLT34	3/4 IN.
C460C9WLT34	3/4 IN.
C560C5WLT34	3/4 IN.
C560C6WLT34	3/4 IN.
C560C7WLT34	3/4 IN.
C560C9WLT34	3/4 IN.

SUB.	REVISIONS
1	01/24/22 NEW RELEASE PER DCN 220124016287 CAC

THE DESIGN AND DIMENSIONS OF THE PRODUCT SHOWN ON THIS DRAWING ARE SUBJECT TO CHANGE WITHOUT NOTICE. DIMENSIONS ARE IN INCHES [mm].

TITLE
60A PIN AND SLEEVE HUBBELL PRO "WLT" IP67 LIQUID TIGHT CONNECTOR



WIRING DEVICE-KELLEMS
HUBBELL INCORPORATED
SHELTON, CT

TOLERANCES UNLESS OTHERWISE SPECIFIED
-XX = ±.01
-XXX = ±.005
ANGLE TOL. ±2°

DR. BY	CAC	SCALE	1 / 2
CHK. BY		DATE	01/13/22