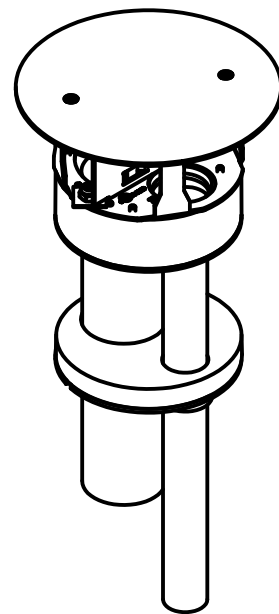
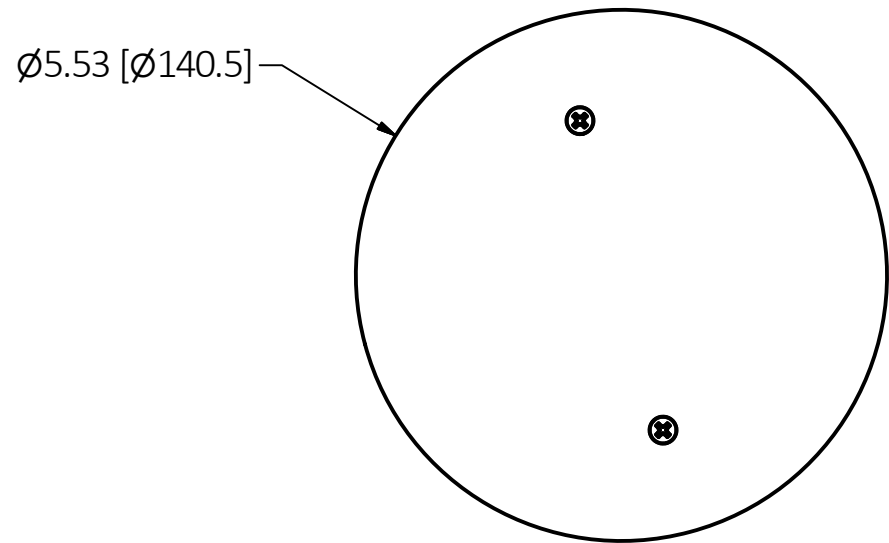
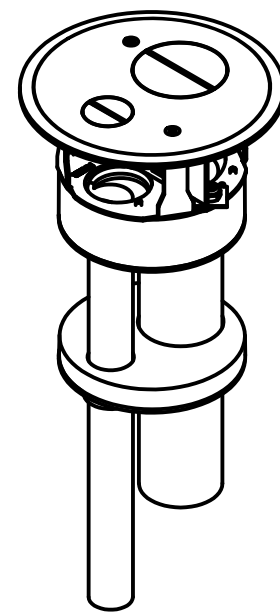


M-13762

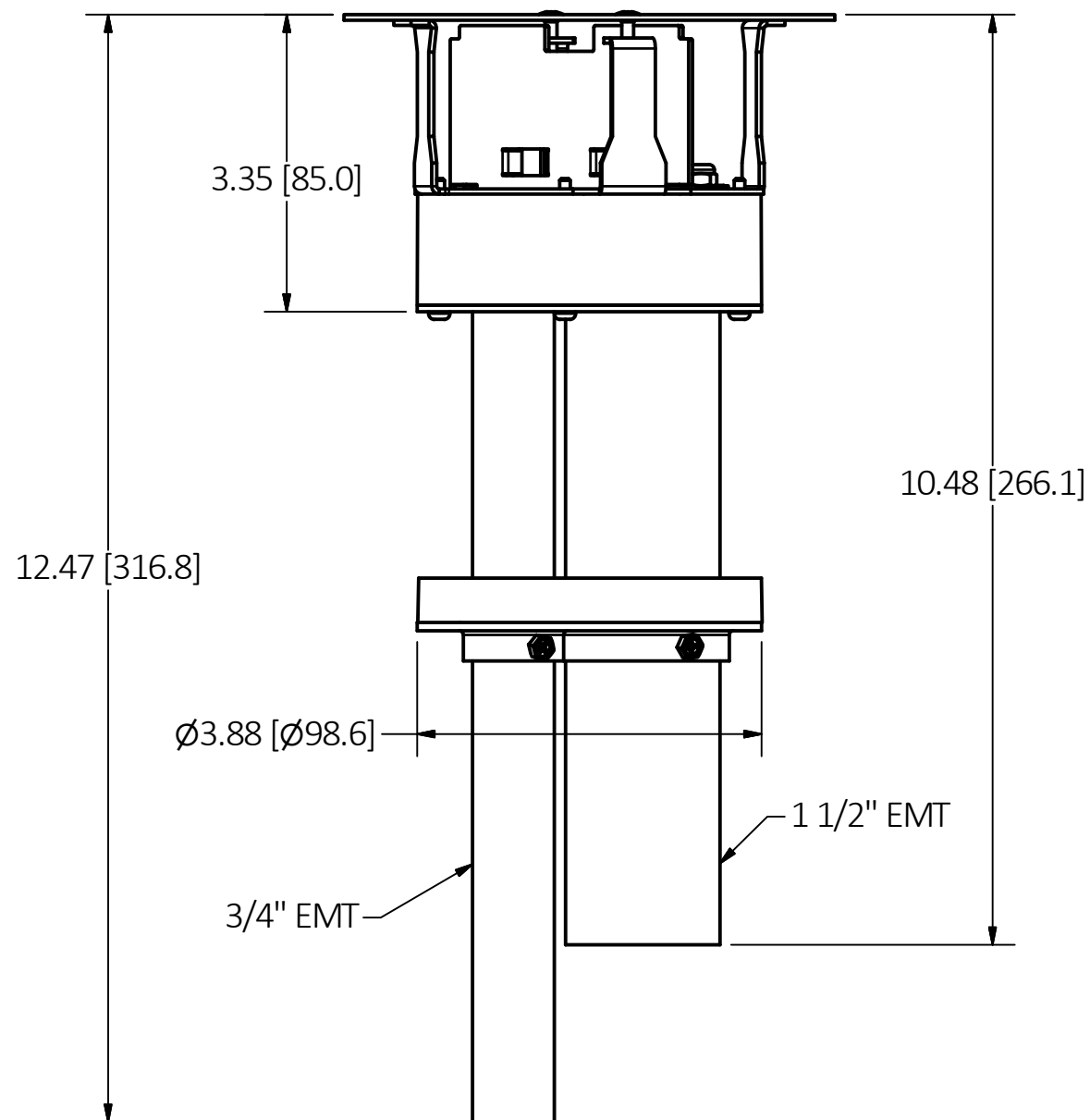
1



S1PTAVFITxx WITH
INSTALLATION COVER



S1PTAVFITxx WITH
S1R4FFCVRxx INSTALLED



- 1) ALL DIMENSIONS ARE: INCHES [MM].
- 2) cULus LISTED.
- 3) S1R4PTAVFIT & S1RPTAVFITJ ARE INTENDED FOR USE WITH S1R4FFCVRxx SERIES COVERS.
- 4) S1R4PTFFxx SERIES CATALOG NUMBERS INCLUDE COVERS WITH CORRESPONDING FINISH (SEE TABLE).

CATALOG NO W/O JUNCTION BOX	CATALOG NO WITH JUNCTION BOX	FINISH
S1R4PTAVFIT	S1R4PTAVFITJ	N/A
S1R4PTFFBRS	S1R4PTFFBRSJ	BRASS PLATED, BRUSHED
S1R4PTFFALU	S1R4PTFFALUJ	BRUSHED ALUMINUM
S1R4PTFFNKL	S1R4PTFFNKLJ	SATIN NICKEL PLATE
S1R4PTFFBRZ	S1R4PTFFBRZJ	BRONZE PLATED
S1R4PTFFBLK	S1R4PTFFBLKJ	POWDER COATED BLACK
S1R4PTFFGRY	S1R4PTFFGRYJ	POWDER COATED GRAY

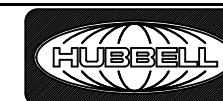
LIST OF PARTS

DESCRIPTION	MATERIAL	FINISH
INSTALLATION PLATE	GALV. STEEL	
INST. SCREWS	STEEL	ZINC
FLOOR CUP	GALV. STEEL	
POSITION CLIP	STAINL. STEEL	
HEX NUTS	STEEL	ZINC
FIRE BARRIER	FIRE BAR. MATL.	BLACK
WIRING TUBE ASSY		
TORX SCREW	STEEL	ZINC
PARTITION	GALV. STEEL	
FF COVER (OPTIONAL)	ALUMINUM	SEE TABLE
JUNCT. BOX ASSY. (OPTIONAL)		

1	RELEASED PER DCN#23549	EMD	5/9/18
REV	DESCRIPTION	APP	DATE

THE DESIGN AND DIMENSIONS OF THE PRODUCT SHOWN ON THIS DRAWING ARE SUBJECT TO CHANGE WITHOUT NOTICE. DIMENSIONS ARE IN INCHES [mm].

TITLE
4IN FURN. FEED FRPT



WIRING DEVICE-KELLEMS
HUBBELL INCORPORATED
SHELTON, CT

TOLERANCES UNLESS OTHERWISE SPECIFIED .XX = ± .01 .XXX = ± .005 ANGLE TOL. ±2'	DR. BY EMD	SCALE 1/2
	CHK. BY	DATE 5/9/18