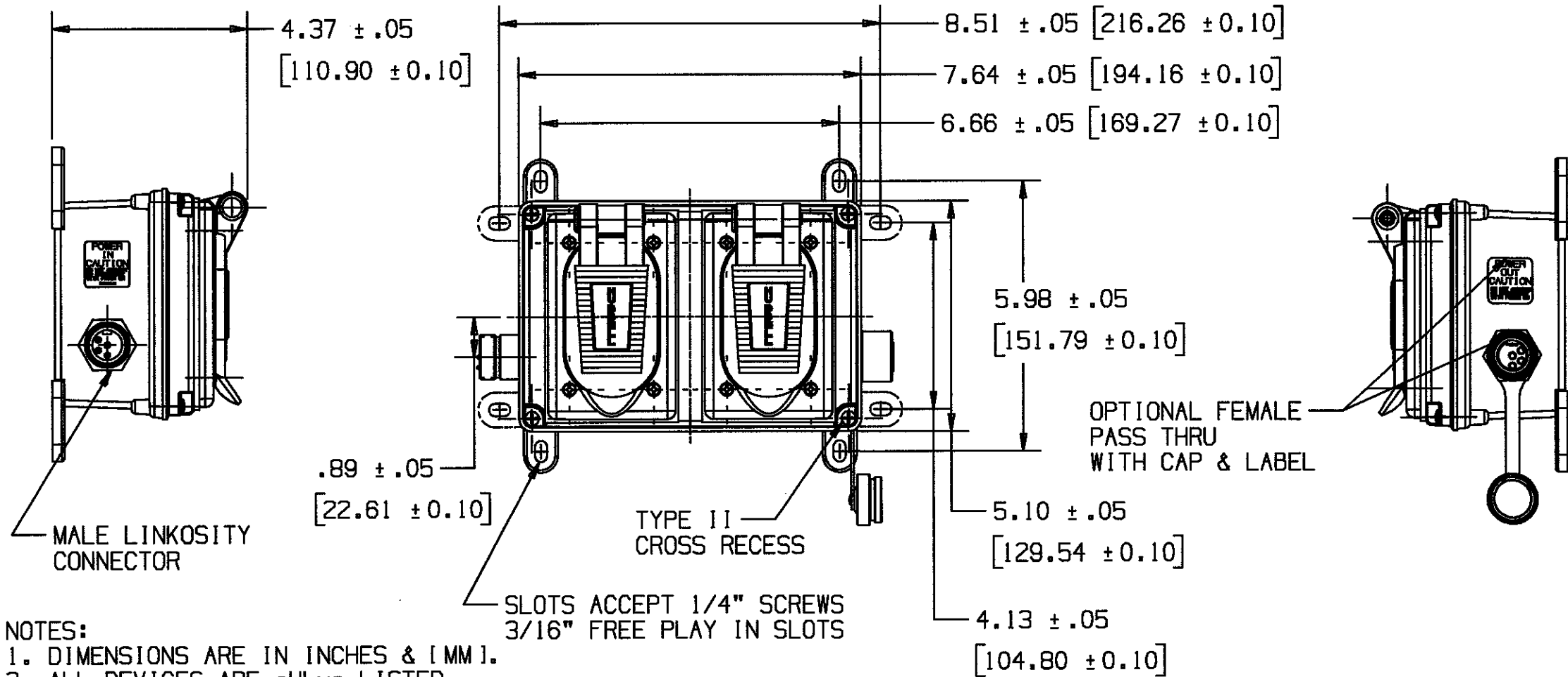


M-9959 1



- NOTES:
 1. DIMENSIONS ARE IN INCHES & [MM].
 2. ALL DEVICES ARE cULus LISTED.
 3. ENCLOSURE RATING: TYPE 3R.
 4. LINKOSITY™ IS A TRADEMARK OF LOCKHEED MARTIN.

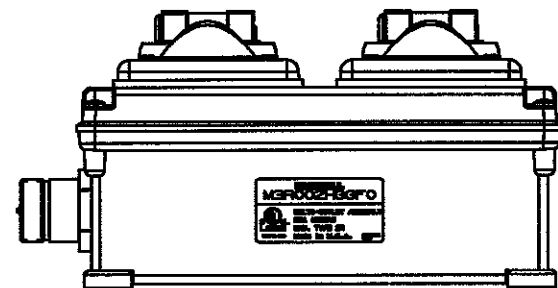
STYLE ¹	
DIGIT	DESC.
3R	3R LID
3D	3R DEEP COVER

SWITCH TYPE ²	
DIGIT	DESC.
SL	LOCAL
SM	MASTER
00	NONE

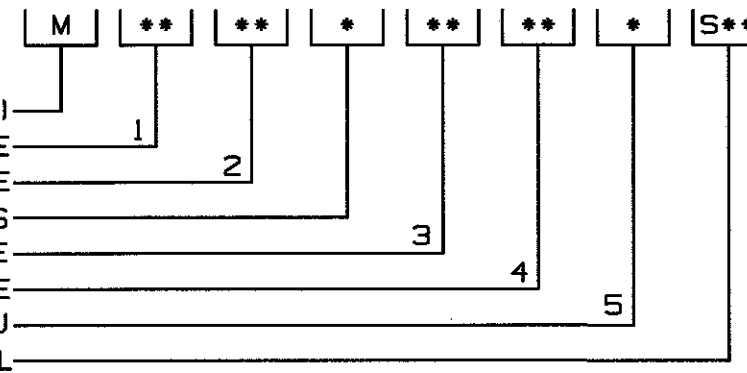
RECEPTACLE TYPE ³	
DIGIT	DESC.
SG	SPEC. GRADE
HG	HOSPITAL GRADE
CR	CORR. RESIST.
L1	15A LOCKING
L2	20A LOCKING

RECEPTACLE FEATURE ⁴	
DIGIT	DESC.
IG	ISOLATED GRND.
GF	GRND. FAULT
SI	SURGE / IG
SS	SURGE
00	STD.

PASS THRU ⁵	
DIGIT	DESC.
P	PASS THRU
0	NO PASS THRU



CATALOG NUMBER



LIST OF PARTS		
DESCRIPTION	MATERIAL	FINISH
ALL EXTERNAL PLASTIC PARTS	UV STABILIZED POLYESTER/POLYCARBONATE BLEND	
ALL EXTERNAL SCREWS AND HARDWARE	STAINLESS STEEL	

1	RELEASED PER DCN#12718	WRV	11/9/05
SYM	REVISIONS	APP	DATE

THE DESIGN AND DIMENSIONS OF THE PRODUCT SHOWN ON THIS DRAWING ARE SUBJECT TO CHANGE WITHOUT NOTICE

TITLE
 LINKOSITY PSDA (DUPLX & GFCI VERSIONS)

TOLERANCES UNLESS OTHERWISE SPECIFIED FRACTIONS ± 1/64 DECIMALS ± .005 ANGLES ± 2°	WIRING DEVICE-KELLEMS HUBBELL INCORPORATED BRIDGEPORT, CT	
	DR. BY WRV	APP. BY TJS
	TR. BY	SCALE 1:3
	CHK'D BY	DATE 11/05

DIMENSION SHEET FOR CAT. NO. REPAIRABLE NON-REPAIRABLE B M-9959 1