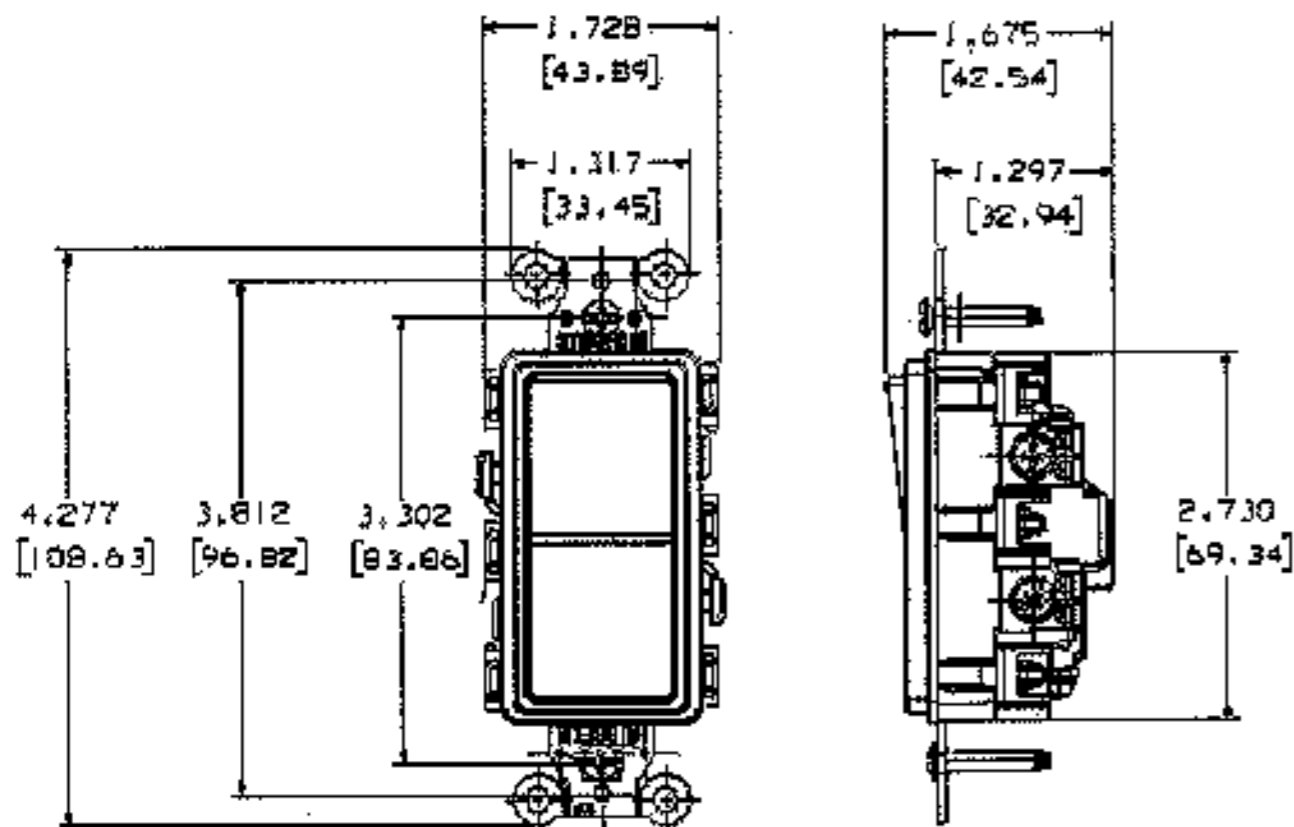


M-11059 3



| CATALOG NO. | RATING/TYPE | COLOR |
|-------------|---|--------------|
| DS220B | SWITCH, DECO SER, DP, 20A 120/277V, BR | BROWN |
| DS220I | SWITCH, DECO SER, DP, 20A 120/277V, IV | IVORY |
| DS220GY | SWITCH, DECO SER, DP, 20A 120/277V, GY | GRAY |
| DS220W | SWITCH, DECO SER, DP, 20A 120/277V, WH | WHITE |
| DS220BK | SWITCH, DECO SER, DP, 20A 120/277V, BK | BLACK |
| DS220OW | SWITCH, DECO SER, DP, 20A 120/277V, OW | OFFICE WHITE |
| DS220AL | SWITCH, DECO SER, DP, 20A 120/277V, AL | ALMOND |
| DS220LA | SWITCH, DECO SER, DP, 20A 120/277V, LA | LIGHT ALMOND |
| DS420 | SWITCH, DECO SER, 4W, 20A 120/277V, BR | BROWN |
| DS420I | SWITCH, DECO SER, 4W, 20A 120/277V, IV | IVORY |
| DS420GY | SWITCH, DECO SER, 4W, 20A 120/277V, GY | GRAY |
| DS420W | SWITCH, DECO SER, 4W, 20A 120/277V, WH | WHITE |
| DS420BK | SWITCH, DECO SER, 4W, 20A 120/277V, BK | BLACK |
| DS420OW | SWITCH, DECO SER, 4W, 20A 120/277V, OW | OFFICE WHITE |
| DS420AL | SWITCH, DECO SER, 4W, 20A 120/277V, AL | ALMOND |
| DS420LA | SWITCH, DECO SER, 4W, 20A 120/277V, LA | LIGHT ALMOND |
| DS420R | SWITCH, DECO SER, 4W, 20A 120/277V, RD | RED |

| LIST OF PARTS | | |
|---------------------|---------------|---------------|
| DESCRIPTION | MATERIAL | FINISH |
| ROCKER | THERMOPLASTIC | NONE |
| TOP HOUSING | THERMOPLASTIC | NONE |
| BASE | THERMOPLASTIC | NONE |
| RUBBER INSERT | ELASTOMER | NONE |
| RUBBER BUMPER | ELASTOMER | NONE |
| DRIVE SCREEN | STEEL | ZINC PLATED |
| MOUNTING SCREW | STEEL | ZINC PLATED |
| STRAP | STEEL | ZINC PLATED |
| SPRING | STEEL | NONE |
| STAPLE | STEEL | NONE |
| BRUSH | BRASS ALLOY | BRIGHT DIP |
| SILVER CONTACT | SILVER ALLOY | NONE |
| COMMON TERMINAL | BRASS ALLOY | SILVER PLATED |
| SP STATIONARY TERM. | BRASS ALLOY | BRIGHT DIP |
| GROUND TERMINAL | BRASS ALLOY | BRIGHT DIP |
| SW STATIONARY TERM. | BRASS ALLOY | BRIGHT DIP |
| PVC WASHER | PVC PLASTIC | NONE |
| BRUSH ACTUATOR | STEEL | ZINC PLATED |
| LAMP-WIRE PIN | BRASS ALLOY | NONE |
| LED LAMP | | NONE |

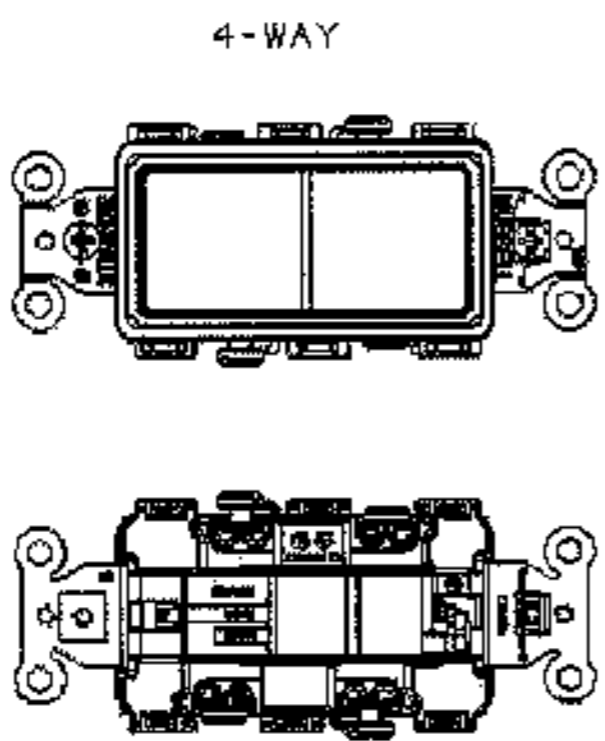
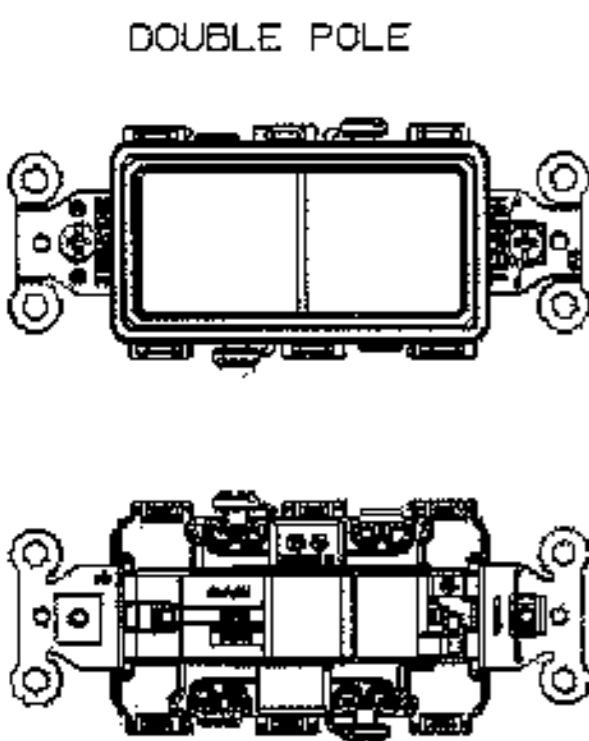
| SYM | REVISIONS | APP | DATE |
|-----|--|-----|----------|
| 3 | SEE SH 2 FOR CHANGES DCN20216. NYA <i>DJP</i> | DJP | 11/26/13 |
| 2 | SEE SH 2 FOR CHANGES DCN16975 | C.Z | 08/05/10 |
| 1 | RELEASE FOR PRODUCTION PER DCN16799 | C.Z | 06/30/10 |

| SYM | REVISIONS | APP | DATE |
|-----|--|-----|----------|
| 3 | SEE SH 2 FOR CHANGES DCN20216. NYA <i>DJP</i> | DJP | 11/26/13 |
| 2 | SEE SH 2 FOR CHANGES DCN16975 | C.Z | 08/05/10 |
| 1 | RELEASE FOR PRODUCTION PER DCN16799 | C.Z | 06/30/10 |

THE DESIGN AND DIMENSIONS OF THE PRODUCT SHOWN ON THIS DRAWING ARE SUBJECT TO CHANGE WITHOUT NOTICE

TITLE
COMMERCIAL GRADE
15A & 20A SNAP DECO SWITCH, HUBBELL

| TOLERANCES UNLESS OTHERWISE SPECIFIED | WIRING DEVICE-KELLOYS HUBBELL INCORPORATED BRIDGEPORT, CT | |
|---------------------------------------|---|--------------|
| FRACTIONS ± 1/64 | DR. BY F.Z | APP. BY |
| DECIMALS ± .005 | TR. BY J.X | SCALE |
| ANGLES ± 2' | CHK'D BY C.Z | DATE 6/30/10 |

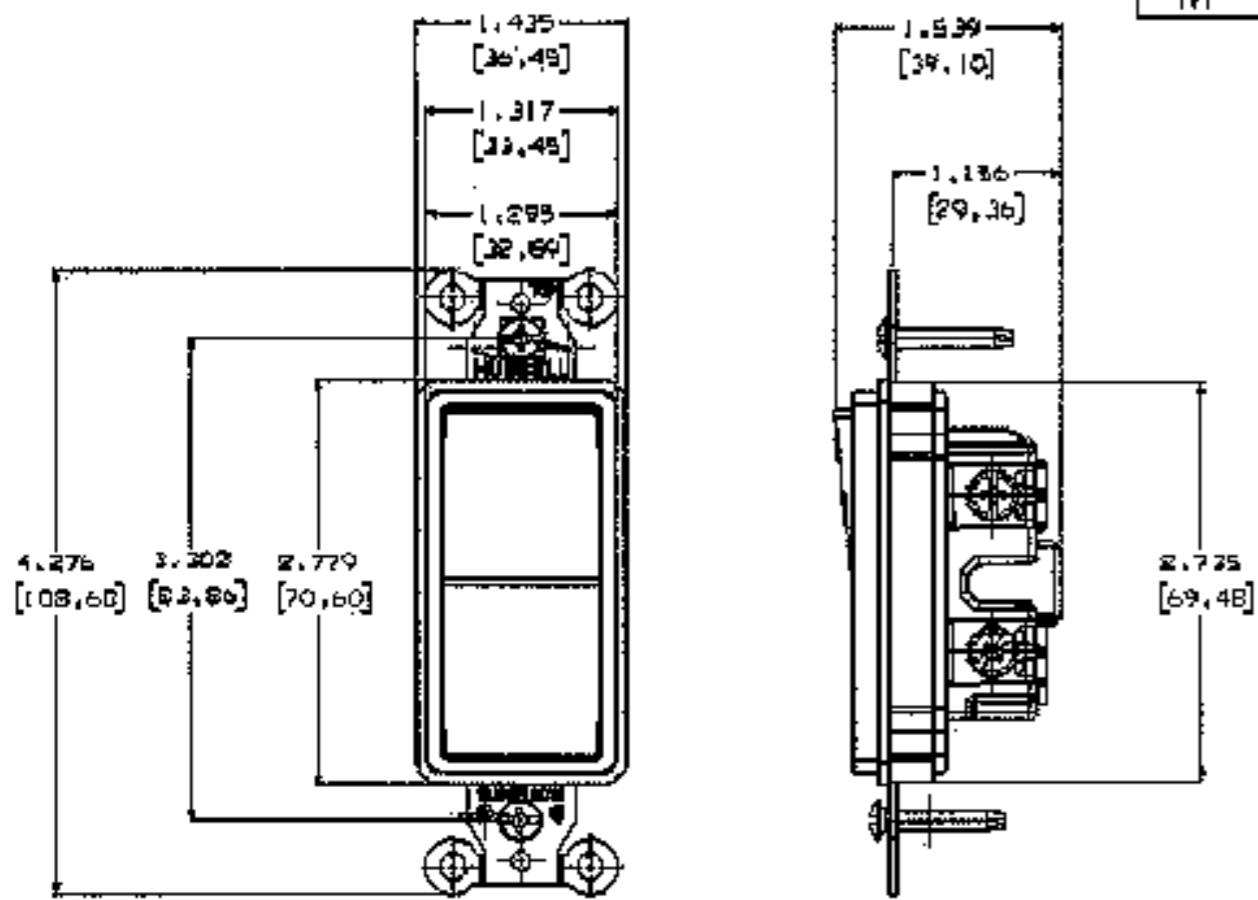


NOTE:
1. BASE COLOR: BLACK
2. ALL DIMENSIONS ARE IN INCHES AND (MILLIMETERS)

SHEET 1 OF 2

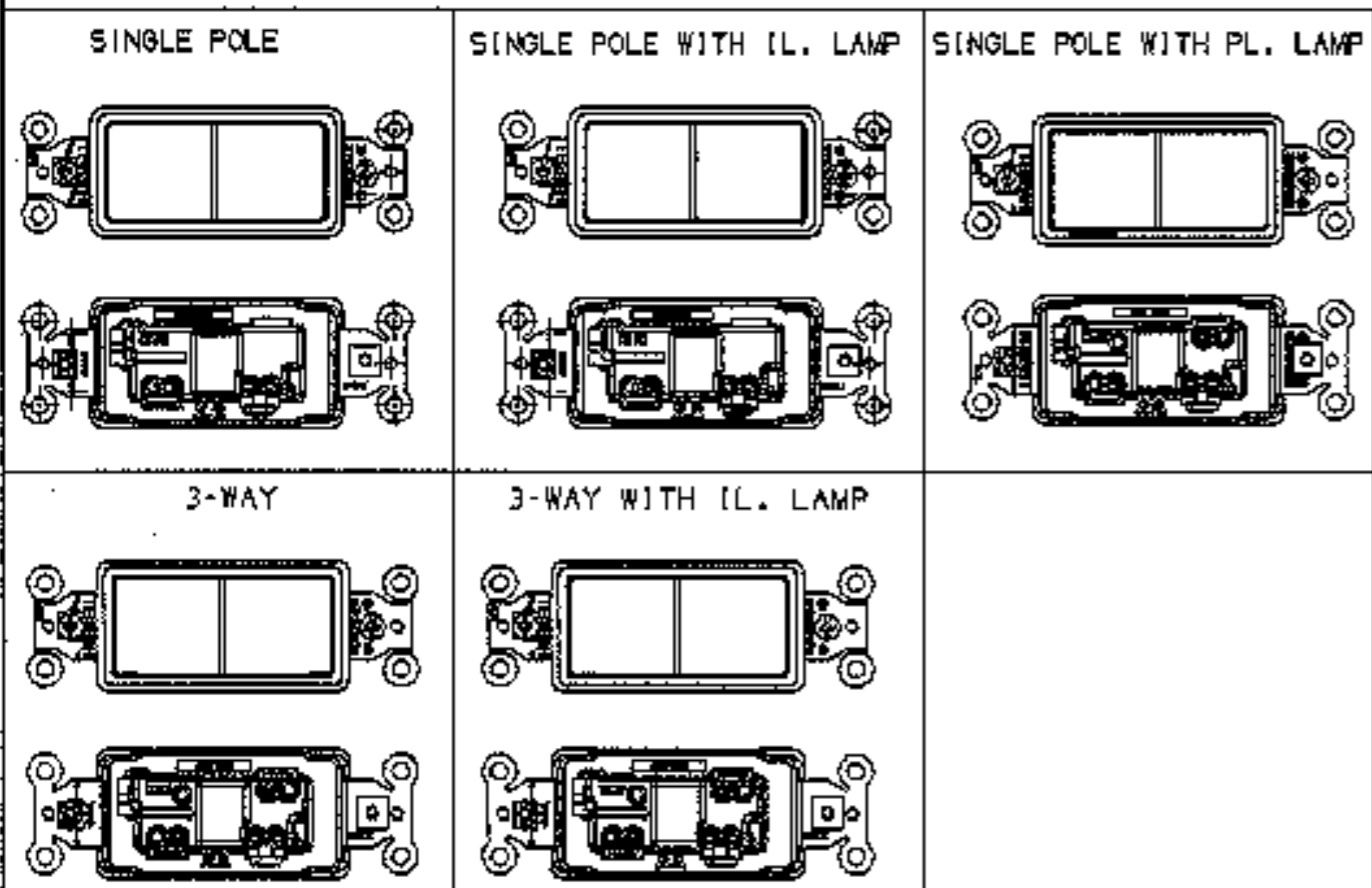
DIMENSION SHEET FOR CAT. NO. M-11059
 REPAIRABLE NON-REPAIRABLE
 SEE CHART
 B M-11059 3

M-11059 3



| CATALOG NO. | RATING/TYPE | COLOR |
|-------------|--|------------|
| DS115 | SWITCH, DECO SER, SP, 15A 120/277V, BR | BROWN |
| DS115I | SWITCH, DECO SER, SP, 15A 120/277V, IV | IVORY |
| DS115GY | SWITCH, DECO SER, SP, 15A 120/277V, GY | GRAY |
| DS115W | SWITCH, DECO SER, SP, 15A 120/277V, WH | WHITE |
| DS115BK | SWITCH, DECO SER, SP, 15A 120/277V, BK | BLACK |
| DS115OW | SWITCH, DECO SER, SP, 15A 120/277V, OW | OFFICE WHT |
| DS115AL | SWITCH, DECO SER, SP, 15A 120/277V, AL | ALMOND |
| DS115LA | SWITCH, DECO SER, SP, 15A 120/277V, LA | LT ALMOND |
| DS315 | SWITCH, DECO SER, 3W, 15A 120/277V, BR | BROWN |
| DS315I | SWITCH, DECO SER, 3W, 15A 120/277V, IV | IVORY |
| DS315GY | SWITCH, DECO SER, 3W, 15A 120/277V, GY | GRAY |
| DS315W | SWITCH, DECO SER, 3W, 15A 120/277V, WH | WHITE |
| DS315BK | SWITCH, DECO SER, 3W, 15A 120/277V, BK | BLACK |
| DS315OW | SWITCH, DECO SER, 3W, 15A 120/277V, OW | OFFICE WHT |
| DS315AL | SWITCH, DECO SER, 3W, 15A 120/277V, AL | ALMOND |
| DS315LA | SWITCH, DECO SER, 3W, 15A 120/277V, LA | LT ALMOND |
| DS120 | SWITCH, DECO SER, SP, 20A 120/277V, BR | BROWN |
| DS120I | SWITCH, DECO SER, SP, 20A 120/277V, IV | IVORY |
| DS120GY | SWITCH, DECO SER, SP, 20A 120/277V, GY | GRAY |
| DS120W | SWITCH, DECO SER, SP, 20A 120/277V, WH | WHITE |
| DS120BK | SWITCH, DECO SER, SP, 20A 120/277V, BK | BLACK |
| DS120OW | SWITCH, DECO SER, SP, 20A 120/277V, OW | OFFICE WHT |
| DS120AL | SWITCH, DECO SER, SP, 20A 120/277V, AL | ALMOND |
| DS120LA | SWITCH, DECO SER, SP, 20A 120/277V, LA | LT ALMOND |
| DS320 | SWITCH, DECO SER, 3W, 20A 120/277V, BR | BROWN |
| DS320I | SWITCH, DECO SER, 3W, 20A 120/277V, IV | IVORY |
| DS320GY | SWITCH, DECO SER, 3W, 20A 120/277V, GY | GRAY |
| DS320W | SWITCH, DECO SER, 3W, 20A 120/277V, WH | WHITE |
| DS320BK | SWITCH, DECO SER, 3W, 20A 120/277V, BK | BLACK |
| DS320OW | SWITCH, DECO SER, 3W, 20A 120/277V, OW | OFFICE WHT |
| DS320AL | SWITCH, DECO SER, 3W, 20A 120/277V, AL | ALMOND |
| DS320LA | SWITCH, DECO SER, 3W, 20A 120/277V, LA | LT ALMOND |
| DS120IL | SWITCH, DECO SER, SP, 20A 120/277V, ILI | IVORY |
| DS120ILW | SWITCH, DECO SER, SP, 20A 120/277V, ILW | WHITE |
| DS320IL | SWITCH, DECO SER, 3W, 20A 120/277V, ILI | IVORY |
| DS320ILW | SWITCH, DECO SER, 3W, 20A 120/277V, ILW | WHITE |
| DS120ILR | SWITCH, DECO SER, SP, 20A 120/277V, IL | RED |
| DS120ILLA | SWITCH, DECO SER, SP, 20A 120/277V, IL | LT ALMOND |
| DS120PL | SWITCH, DECO SER, SP, 20A 120/277V, PLIV | IVORY |
| DS120PLBK | SWITCH, DECO SER, SP, 20A 120/277V, PLBK | BLACK |
| DS120PLW | SWITCH, DECO SER, SP, 20A 120/277V, PLWH | WHITE |
| DS120PLGY | SWITCH, DECO SER, SP, 20A 120/277V, PLGY | GRAY |
| DS120R | SWITCH, DECO SER, SP, 20A 120/277V, RD | RED |
| DS320R | SWITCH, DECO SER, 3W, 20A 120/277V, RD | RED |

| LIST OF PARTS | | |
|---------------------|---------------|---------------|
| DESCRIPTION | MATERIAL | FINISH |
| ROCKER | THERMOPLASTIC | NONE |
| TOP HOUSING | THERMOPLASTIC | NONE |
| BASE | THERMOPLASTIC | NONE |
| RUBBER INSERT | ELASTOMER | NONE |
| RUBBER BUMPER | ELASTOMER | NONE |
| DRIVE SCREW | STEEL | ZINC PLATED |
| MOUNTING SCREW | STEEL | ZINC PLATED |
| STRAP | STEEL | ZINC PLATED |
| SPRING | STEEL | NONE |
| STAPLE | STEEL | NONE |
| BRUSH | BRASS ALLOY | BRIGHT DIP |
| SILVER CONTACT | SILVER ALLOY | NONE |
| COMMON TERMINAL | BRASS ALLOY | SILVER PLATED |
| SP STATIONARY TERM. | BRASS ALLOY | BRIGHT DIP |
| GROUND TERMINAL | BRASS ALLOY | BRIGHT DIP |
| 3W STATIONARY TERM. | BRASS ALLOY | BRIGHT DIP |
| PVC WASHER | PVC PLASTIC | NONE |
| BRUSH ACTUATOR | STEEL | ZINC PLATED |
| LAMP-WIRE PIN | BRASS ALLOY | NONE |
| LED LAMP | | NONE |



NOTE:
 1. BASE COLOR: BLACK
 2. ALL DIMENSIONS ARE IN INCHES AND (MILLIMETERS)

SHEET 2 OF 2

| SY# | REVISIONS | APP | DATE |
|-----|---|-----|----------|
| 3 | ADDED CATALOG NOS. DS120ILR, DS120ILLA AND SPECS PER DCN 20216. | DJP | 11/26/13 |
| 2 | ADDED CATALOG NOS. DS120PLBK/DS120PLR/DS120PLGY PER DCN16975 | C.Z | 08/05/10 |
| 1 | RELEASE FOR PRODUCTION PER DCN16799 | C.Z | 06/30/10 |

THE DESIGN AND DIMENSIONS OF THE PRODUCT SHOWN ON THIS DRAWING ARE SUBJECT TO CHANGE WITHOUT NOTICE

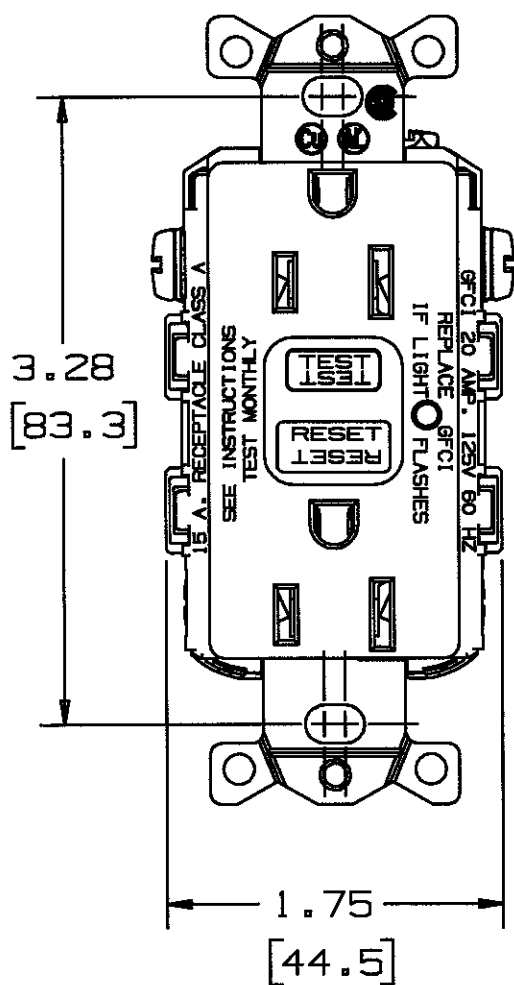
TITLE
 COMMERCIAL GRADE
 15A & 20A SNAP DECO SWITCH, HUBBELL

| | | |
|---------------------------------------|---|--------------|
| TOLERANCES UNLESS OTHERWISE SPECIFIED | WIRING DEVICE-KELLEYS HUBBELL INCORPORATED BRIDGEPORT, CT | |
| FRACTIONS ± 1/64 | DR. BY P.Z | APP. BY |
| DECIMALS ± .005 | TR. BY J.X | SCALE |
| ANGLES ± 2° | CHK'D BY C.Z | DATE 6/30/10 |

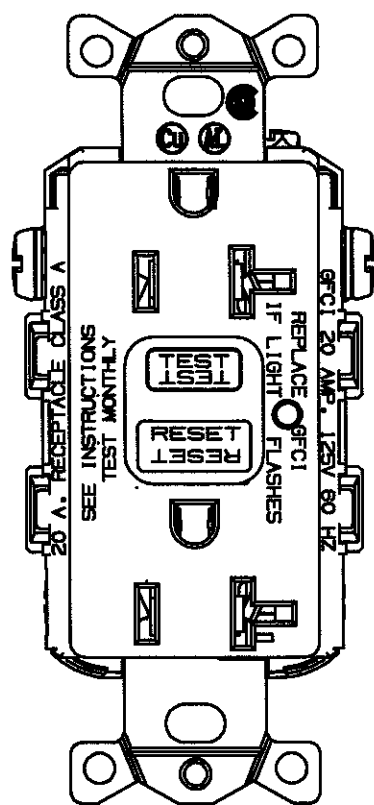
CODE 74545

DIMENSION SHEET FOR CAT. NO. M-11059
 SEE CHART
 REPAIRABLE NON-REPAIRABLE
 M-11059
 3

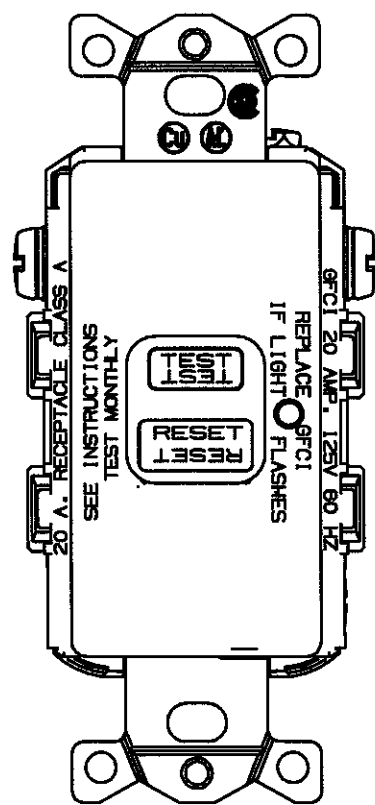
M-9393 2



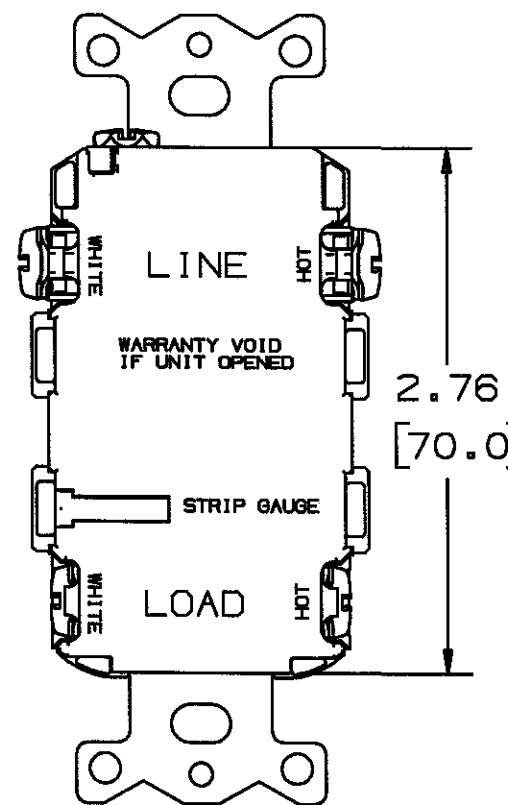
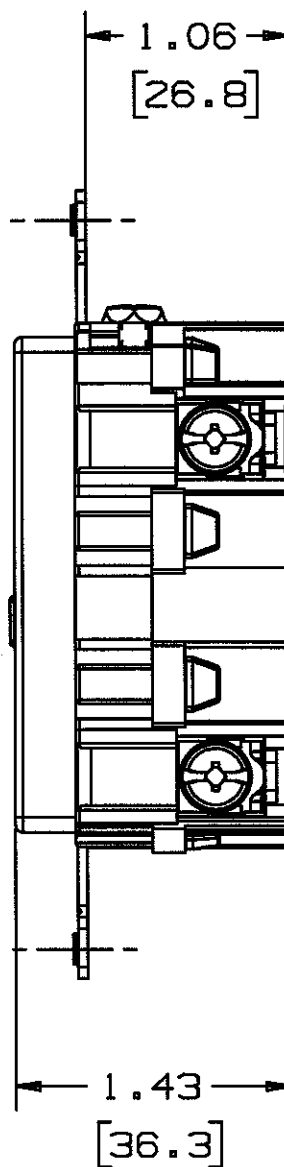
15AMP DEVICE



20AMP DEVICE



BLANK FACE DEVICE



| COMMERCIAL GRADE LED GFCI | | | | | | | | | |
|---------------------------|----------|----------|-----------|-----------|----------|--------------|-----------|------------|-----------|
| BROWN | IVORY | WHITE | GRAY | BLACK | RED | OFFICE WHITE | ALMOND | LT. ALMOND | RATING |
| GF15L | GF15IL | GF15WL | GF15GYL | GF15BKL | GF15RL | GF15OWL | GF15ALL | GF15LAL | 15A, 125V |
| GF20L | GF20IL | GF20WL | GF20GYL | GF20BKL | GF20RL | GF20OWL | GF20ALL | GF20LAL | 20A, 125V |
| GFBF20L | GFBF20IL | GFBF20WL | GFBF20GYL | GFBF20BKL | GFBF20RL | GFBF20OWL | GFBF20ALL | GFBF20LAL | 20A, 125V |

| LIST OF PARTS | | |
|-----------------------------|----------|------------|
| DESCRIPTION | MATERIAL | FINISH |
| FACE | NYLON | |
| BRIDGE | STEEL | GALVANIZED |
| CONTACTS | BRASS | |
| CLAMP PLATES | BRASS | |
| BASE | NYLON | |
| MOUNTING SCREWS (NOT SHOWN) | STEEL | |
| BINDING SCREWS | STEEL | |
| | | |
| | | |
| | | |
| | | |
| | | |
| | | |
| | | |
| | | |
| | | |

| | | | |
|-----|--|-----|---------|
| 2 | REVISED & UPDATED CAT. NOS PER DCN 12710 | NB | 4/25/06 |
| 1 | RELEASED PER DCN11697 | NB | 6/17/04 |
| SYM | REVISIONS | APP | DATE |

THE DESIGN AND DIMENSIONS OF THE PRODUCT SHOWN ON THIS DRAWING ARE SUBJECT TO CHANGE WITHOUT NOTICE

TITLE
HUBBELL GFCI
COMMERCIAL GRADE
WITH LED

| | | |
|---|---|--------------|
| TOLERANCES UNLESS OTHERWISE SPECIFIED FRACTIONS ± 1/64 DECIMALS ± .005 ANGLES ± 2° | WIRING DEVICE-KELLEMS HUBBELL INCORPORATED BRIDGEPORT, CT | |
| | DR. BY SRE | APP. BY NB |
| | TR. BY | SCALE 1:1 |
| | CHK'D BY NB | DATE 6/17/04 |

DIMENSION SHEET FOR CAT. NO.

REPAIRABLE NON-REPAIRABLE

B

M-9393

2