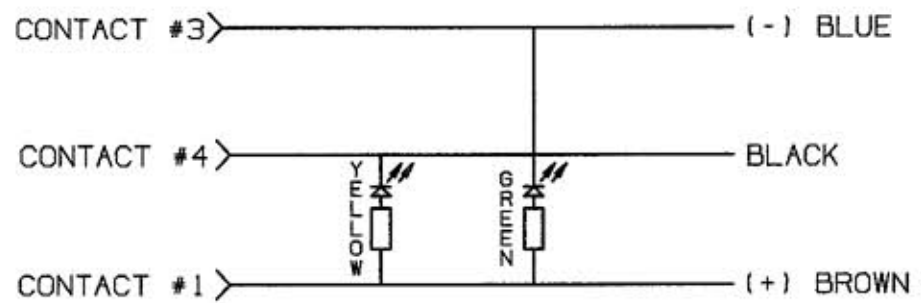
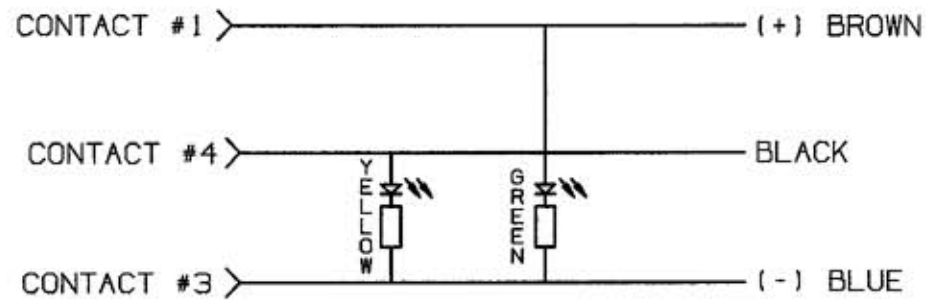


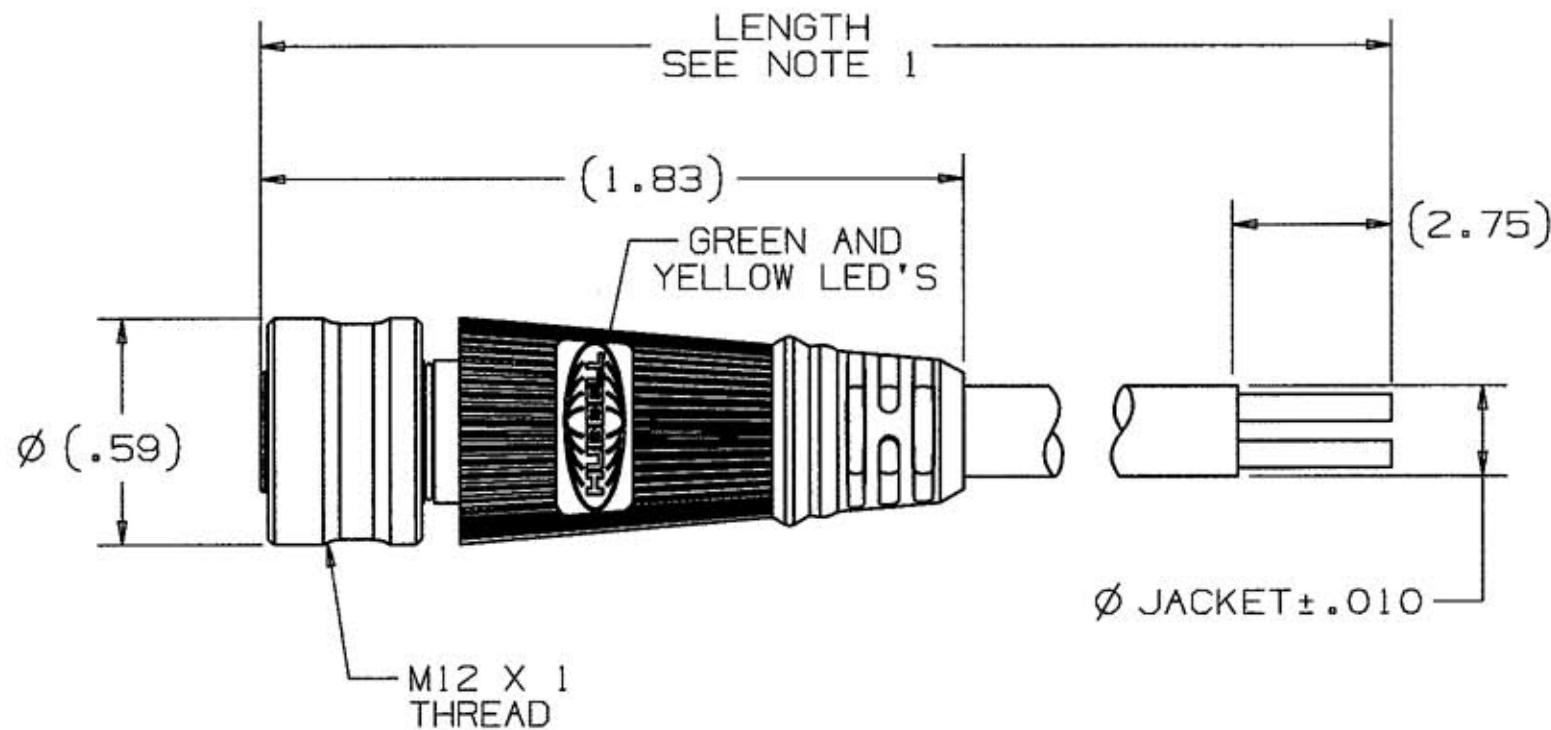
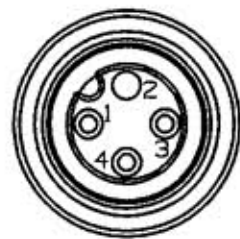
M-8678 1



NPN- NORMALLY OPEN



PNP- NORMALLY OPEN



WIRE	COLOR
1	BROWN
2	NOT USED
3	BLUE
4	BLACK

NOTES:

- CONSULT FACTORY FOR CABLE LENGTHS.
- ONE DIGIT SUFFIX IN CATALOG NUMBER DENOTES LENGTH OF PLUG ASSEMBLY IN METERS. MCMNS1312 IS 2M LONG.
- CATALOG NUMBER PREFIX MCN_ _ _ _ DENOTES A BLACK NYLON COUPLING NUT; MCM_ _ _ _ DENOTES A NICKEL PLATED BRASS COUPLING NUT.

CATALOG NUMBER SEE NOTES 2 & 3	AMPS	VOLTS	CIRCUIT TYPE	Ø JACKET
MC_NS131_	5	30VDC	NPN	.209
MC_PS131_			PNP	

LIST OF PARTS

DESCRIPTION	MATERIAL	FINISH
COUPLING NUT	SEE NOTE 3	
INSULATOR	NYLON	WHITE
"O" RING	RUBBER	BLACK
"O" RING	SILICONE	GREEN
SOCKET CONTACTS	COPPER ALLOY	GOLD OVER Pd/Ni
OVERMOLD	POLYURETHANE	CLEAR
CABLE	22AWG, PVC	BLACK
LED	N/A	GREEN
LED	N/A	YELLOW

DIMENSION SHEET FOR CAT. NO. SEE TABLE

REPAIRABLE NON-REPAIRABLE

1	03/14/02 RELEASED <i>GPH</i> PER DCN 9268-1. GPH	4/4/02
SYM	REVISIONS	APP DATE

THE DESIGN AND DIMENSIONS OF THE PRODUCT SHOWN ON THIS DRAWING ARE SUBJECT TO CHANGE WITHOUT NOTICE

TITLE
STR. LED, SINGLE KEY, 30VDC, 22AWG AWM2661

TOLERANCES UNLESS OTHERWISE SPECIFIED FRACTIONS ± 1/64 DECIMALS ± .005 ANGLES ± 2°	WIRING DEVICE-KELLEMS HUBBELL INCORPORATED BRIDGEPORT, CT	
	DR. BY GPH	APP. BY <i>GPH</i>
	TR. BY	SCALE NONE
	CHK'D BY GPH	DATE 1/31/02

M-8678 1