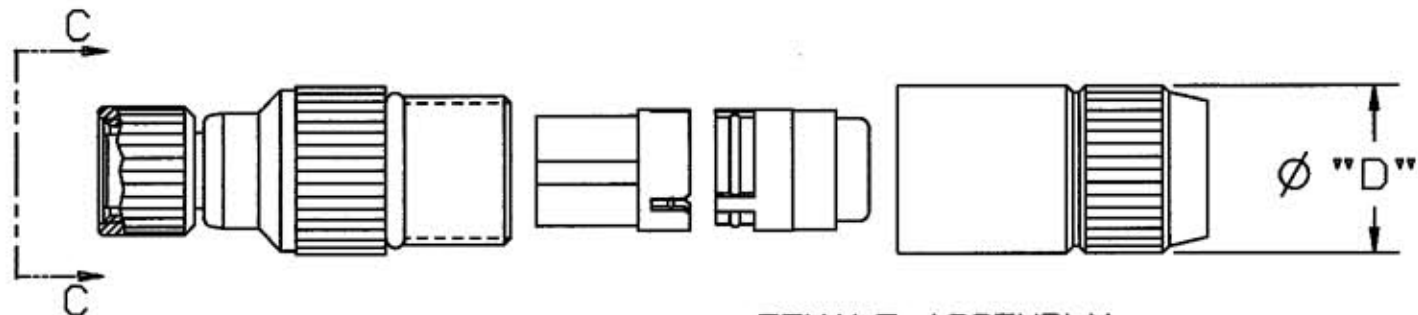
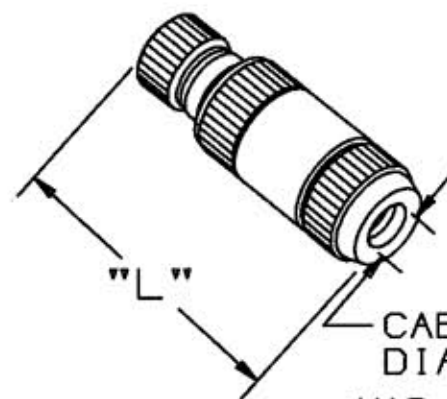


M-8986

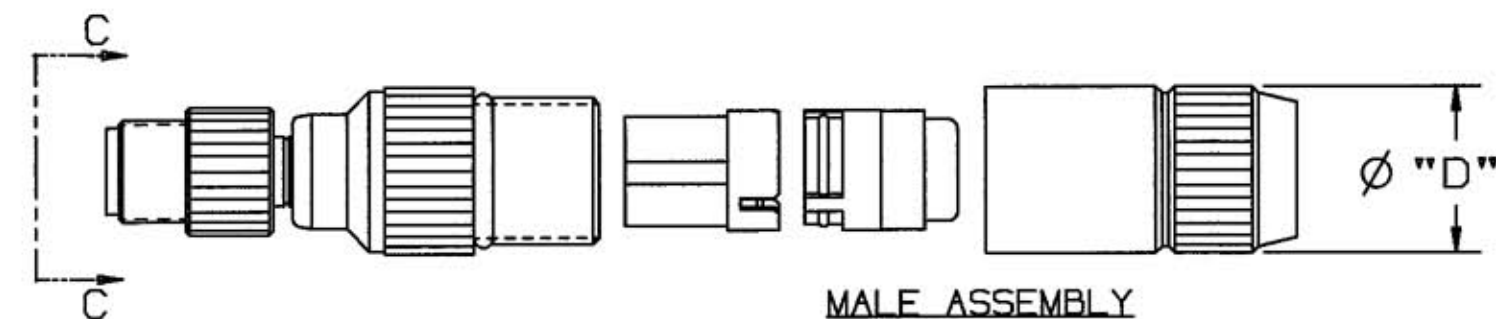


FEMALE ASSEMBLY

CATALOG NUMBER'S NCTS13IDC, NCTS14IDC, MCMS13IDC & MCMS14IDC ONLY

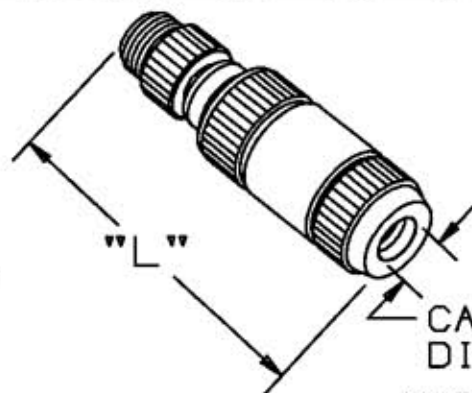


CABLE DIA. RANGE:
M12 .157-.200"
(3.9-5.1mm)
M8 .126-.213"
(3.2-5.3mm)



MALE ASSEMBLY

CATALOG NUMBER'S NITS13IDC, NITS14IDC, MIMS13IDC & MIMS14IDC ONLY



CABLE DIA. RANGE:
M12 .157-.200"
(3.9-5.1mm)
M8 .126-.213"
(3.2-5.3mm)

LIST OF PARTS

DESCRIPTION	MATERIAL	FINISH
HOUSING	POLYESTER	
WIRE GUIDE	NYLON	
STRAIN RELIEF BUSHING	NEOPRENE	
CONTACT	COPPER ALLOY	TIN OVER NICKEL
COUPLING NUT	ZINC ALLOY	NICKEL
CABLE NUT	ZINC ALLOY	NICKEL
O-RING	NEOPRENE	

DIMENSION SHEET FOR CAT. NO.

REPAIRABLE NON-REPAIRABLE

B

M-8986

Catalog Number	Config-uration VIEW C	Thread Size	Number of Poles	Wire Range (AWG)		Volts	Amps	Dimension "L"	Dimension "D"	Catalog Number	Config-uration VIEW C	Thread Size	Number of Poles	Wire Range (AWG)		Volts	Amps	Dimension "L"	Dimension "D"
				Min.	Max.									Min.	Max.				
NITS13IDC		M8	3	24	22	32	4	1.6" (40.8mm)	.46" (11.65mm)	MIMS13IDC		M12	3	24	22	32	4	1.7" (43.5mm)	.58" (14.7mm)
NCTS13IDC		M8	3	24	22	32	4	1.67" (42.5mm)	.46" (11.65mm)	MCMS13IDC		M12	3	24	22	32	4	1.68" (42.7mm)	.58" (14.7mm)
NITS14IDC		M8	4	24	22	32	4	1.6" (40.8mm)	.46" (11.65mm)	MIMS14IDC		M12	4	24	22	32	4	1.7" (43.5mm)	.58" (14.7mm)
NCTS14IDC		M8	4	24	22	32	4	1.67" (42.5mm)	.46" (11.65mm)	MCMS14IDC		M12	4	24	22	32	4	1.68" (42.7mm)	.58" (14.7mm)

2	UPDATED CABLE DIA. RANGE, DIA. AND AMPS. PER DCN#12032 GDR RDK	RDK	10/14/04
1	2/14/03 RELEASED PER DCN #10417	RDK	2/14/03
SYM	REVISIONS	APP	DATE

THE DESIGN AND DIMENSIONS OF THE PRODUCT SHOWN ON THIS DRAWING ARE SUBJECT TO CHANGE WITHOUT NOTICE

TITLE
IDC FIELD ATTACHABLE,
M8/M12, 3 & 4 POLE

TOLERANCES UNLESS OTHERWISE SPECIFIED	WIRING DEVICE-KELLEMS HUBBELL INCORPORATED BRIDGEPORT, CT	
FRACTIONS ±1/64	DR. BY JDK	APP. BY RDK
DECIMALS ±.005	TR. BY	SCALE N/A
ANGLES ±2°	CHK'D BY RDK	DATE 10/23/02