

M-7972|3

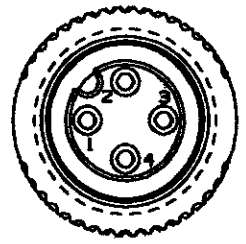


FIGURE 2

WIRE	COLOR
1	BROWN
2	WHITE
3	BLUE
4	BLACK

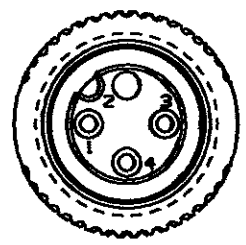
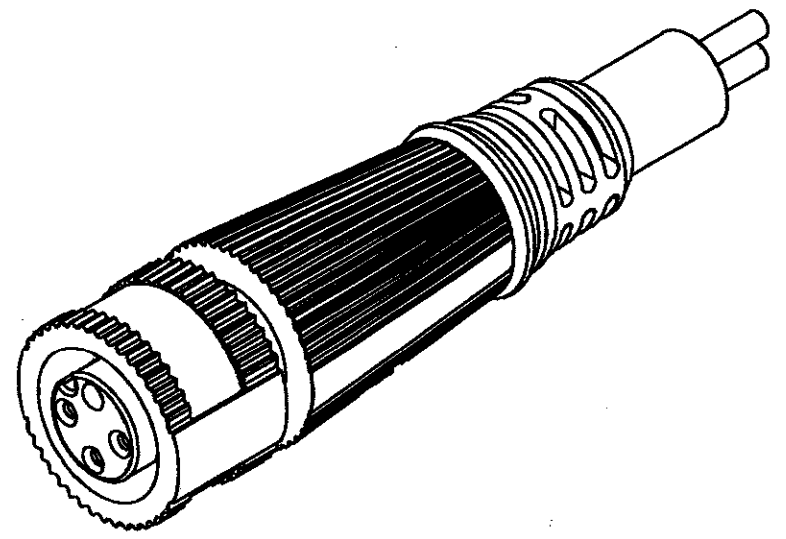
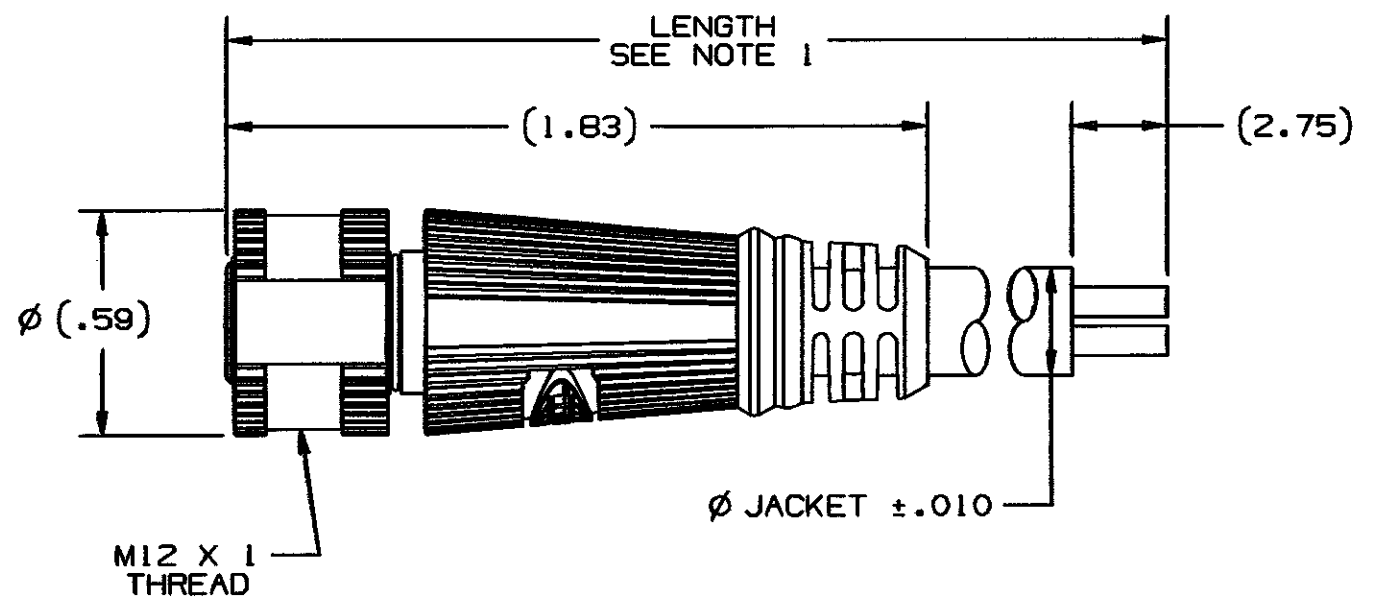


FIGURE 1

WIRE	COLOR
1	BROWN
2	NOT USED
3	BLUE
4	BLACK



NOTES:

1. PLUG ASSEMBLIES AVAILABLE IN 2, 4, AND 5 METER LENGTHS. CONSULT FACTORY FOR OTHER ADDITIONAL LENGTHS.
2. ONE DIGIT SUFFIX IN CATALOG NUMBER DENOTES LENGTH OF PLUG ASSEMBLY IN METERS. MC\_S1312 IS 2 METERS LONG.
3. CATALOG NUMBER PREFIX MCNS\_\_\_ DENOTES A BLACK NYLON COUPLING NUT; MCMS\_\_\_ DENOTES A NICKEL PLATED BRASS COUPLING NUT.
4. CATALOG NUMBER MC\_S131\_ DENOTES A 22 AWG BLACK PVC CABLE; MC\_S132\_ DENOTES A 18 AWG BLACK TPE CABLE.

CATALOG NUMBER SEE NOTES 3 & 4	SEE FIGURE NUMBER	NUMBER OF POLES	AMPS	CABLE JACKET DIA.
MC_S131_	1	3	5	.209
MC_S132_			8	.240
MC_S141_	2	4	4	.224
MC_S142_			6	.259

LIST OF PARTS

DESCRIPTION	MATERIAL	FINISH
COUPLING NUT	SEE NOTE 3	3
INSULATOR	NYLON	WHITE
O-RING	RUBBER	BLACK
O-RING	SILICONE	GREEN
SOCKET CONTACT	COPPER ALLOY	GOLD OVER Pd/Ni
OVERMOLD	POLYURETHANE	BLACK
CABLE	SEE NOTE 4	4

SYM	REVISIONS	APP	DATE
3	CHANGED PER DCN7403. DJH		01/26/00 <i>A.P.H.</i>
2	CHANGED CURRENT RATING ON 3 AND 4 POLE PER DCN7275. DJH		11/18/99
1	RELEASED PER DCN6842. DJH		06/02/99

THE DESIGN AND DIMENSIONS OF THE PRODUCT SHOWN ON THIS DRAWING ARE SUBJECT TO CHANGE WITHOUT NOTICE

TITLE  
STRAIGHT FEMALE PLUG, 300VDC  
SINGLE KEY, INTERNAL THREAD

TOLERANCES UNLESS OTHERWISE SPECIFIED FRACTIONS ± 1/64 DECIMALS ± .005 ANGLES ± 2'	WIRING DEVICE-KELLEMS HUBBELL INCORPORATED BRIDGEPORT, CT	
	DR. BY DJH	APP. BY GH
	TR. BY	SCALE NONE
	CHK'D BY GH	DATE 06/02/99

DIMENSION SHEET FOR CAT. NO. SEE CHART  
 REPAIRABLE  NON-REPAIRABLE   
 B  
 M-7972  
 3