

M-7968 3



FIGURE 2

WIRE	COLOR
1	GREEN
2	RED/BLACK
3	RED/WHITE

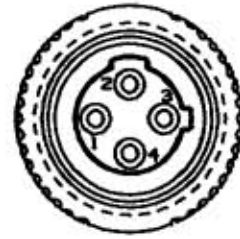


FIGURE 3

WIRE	COLOR
1	RED/BLACK
2	RED/WHITE
3	RED
4	GREEN



FIGURE 4

WIRE	COLOR
1	RED/WHITE
2	RED
3	GREEN
4	RED/YELLOW
5	RED/BLACK



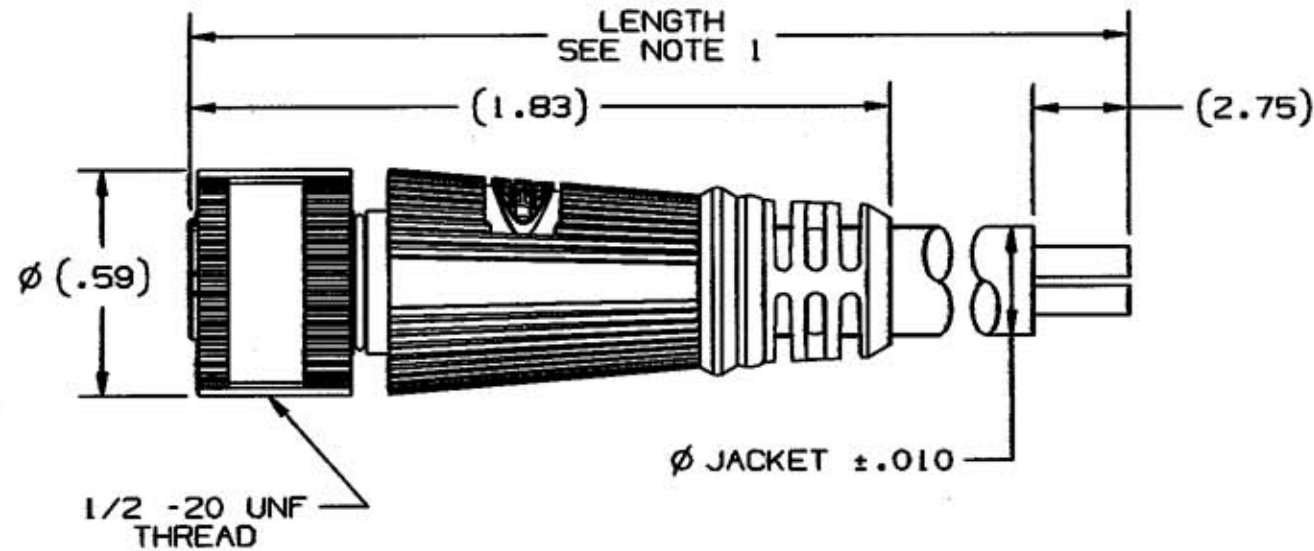
FIGURE 5

WIRE	COLOR
1	RED/WHITE
2	RED
3	GREEN
4	RED/YELLOW
5	RED/BLACK
6	RED/BLUE



FIGURE 1

WIRE	COLOR
1	BROWN
2	BLUE



NOTES:

1. PLUG ASSEMBLIES AVAILABLE IN 2, 4, AND 5 METER LENGTHS. CONSULT FACTORY FOR OTHER ADDITIONAL LENGTHS.
2. ONE DIGIT SUFFIX IN CATALOG NUMBER DENOTES LENGTH OF PLUG ASSEMBLY IN METERS. MC_S2212 IS 2 METERS LONG.
3. CATALOG NUMBER PREFIX MCNS___ DENOTES A BLACK NYLON COUPLING NUT; MCMS___ DENOTES A NICKEL PLATED BRASS COUPLING NUT.
4. CATALOG NUMBER MC_S221_ DENOTES A 22 AWG BLACK PVC CABLE; MC_S222_ DENOTES A 18 AWG BLACK TPE CABLE.

CATALOG NUMBER SEE NOTES 3 & 4	SEE FIGURE NUMBER	NUMBER OF POLES	AMPS	CABLE JACKET DIA.
MC_S221_	1	2	5	.201
MC_S222_			8	.229
MC_S231_	2	3	5	.209
MC_S232_			8	.240
MC_S241_	3	4	4	.224
MC_S242_			6	.259
MC_S251_	4	5	4	.262
MC_S252_			5	.279
MC_S261_	5	6	3	.257

LIST OF PARTS

DESCRIPTION	MATERIAL	FINISH
COUPLING NUT	SEE NOTE 3	3
INSULATOR	NYLON	WHITE
O-RING	RUBBER	BLACK
O-RING	SILICONE	GREEN
SOCKET CONTACT	COPPER ALLOY	GOLD OVER Pd/Ni
OVERMOLD	POLYURETHANE	BLACK
CABLE	SEE NOTE 4	4

SYM	REVISIONS	APP	DATE
3	CHANGED PER DCN7403. DJH		01/25/00 <i>S.P.H.</i>
2	CHANGED CURRENT RATING ON 2, 3, AND 4 POLE PER DCN7275. DJH		11/18/99
1	RELEASED PER DCN6843. DJH		08/02/99

THE DESIGN AND DIMENSIONS OF THE PRODUCT SHOWN ON THIS DRAWING ARE SUBJECT TO CHANGE WITHOUT NOTICE

TITLE
STRAIGHT FEMALE PLUG, 300V DUAL KEY, INTERNAL THREAD

TOLERANCES UNLESS OTHERWISE SPECIFIED		WIRING DEVICE-KELLEMS HUBBELL INCORPORATED BRIDGEPORT, CT	
FRACTIONS	± 1/64	DR. BY DJH	APP. BY GH
DECIMALS	± .005	TR. BY	SCALE NONE
ANGLES	± 2°	CHK'D BY GH	DATE 06/02/99

DIMENSION SHEET FOR CAT. NO. SEE CHART REPAIRABLE NON-REPAIRABLE B M-7968 3