

M-7997 3

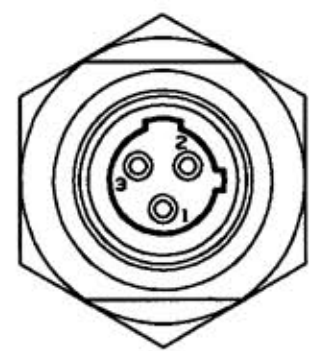


FIGURE 2

WIRE	COLOR
1	GREEN
2	RED/BLACK
3	RED/WHITE

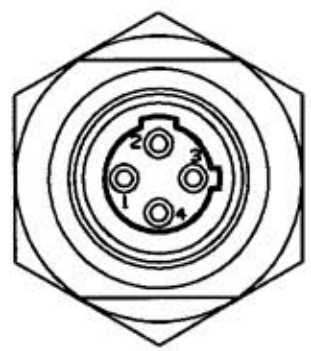


FIGURE 3

WIRE	COLOR
1	RED/BLACK
2	RED/WHITE
3	RED
4	GREEN

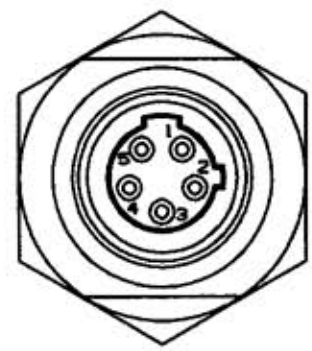


FIGURE 4

WIRE	COLOR
1	RED/WHITE
2	RED
3	GREEN
4	RED/YELLOW
5	RED/BLACK

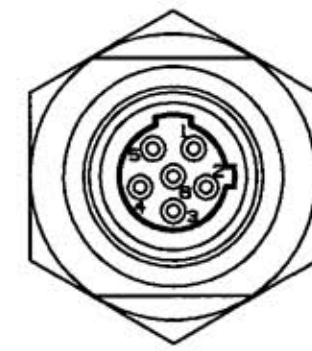


FIGURE 5

WIRE	COLOR
1	RED/WHITE
2	RED
3	GREEN
4	RED/YELLOW
5	RED/BLACK
6	RED/BLUE

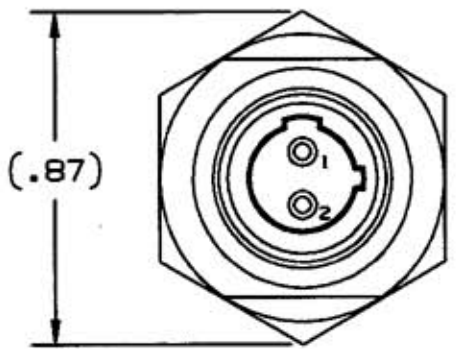
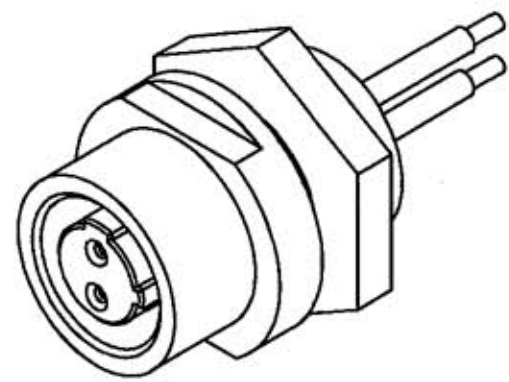
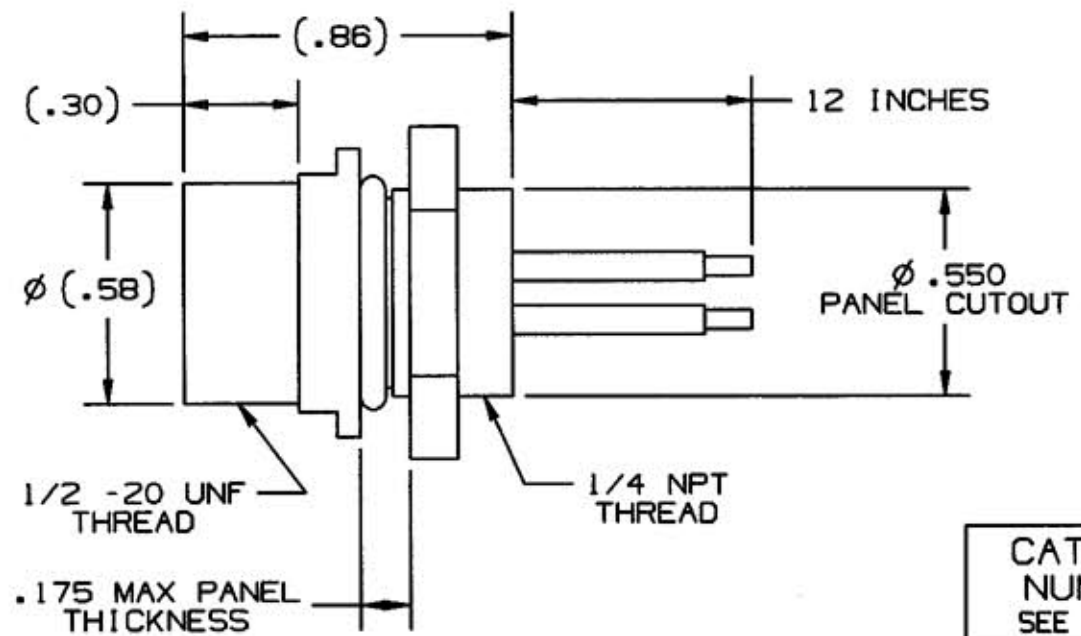


FIGURE 1

WIRE	COLOR
1	BROWN
2	BLUE



CATALOG NUMBER SEE NOTE 1	SEE FIGURE NUMBER	NUMBER OF POLES	AMPS
MFMS22325	1	2	5
MFMS22425		2	8
MFMS23325	2	3	5
MFMS23425		3	8
MFMS24325	3	4	4
MFMS24425		4	6
MFMS25325	4	5	4
MFMS25425		5	5
MFMS26325	5	6	3

NOTES:
1. CATALOG NUMBER MFMS22325 DENOTES A 22 AWG PVC WIRE;
MFMS22425 DENOTES A 18 AWG PVC WIRE.

CODE 74545

LIST OF PARTS		
DESCRIPTION	MATERIAL	FINISH
RECEPTACLE SHELL	BRASS	NICKEL
INSULATOR	NYLON	WHITE
O-RING	RUBBER	BLACK
O-RING	RUBBER	BLACK
LOCKNUT	BRASS	NICKEL
SOCKET CONTACT	COPPER ALLOY	GOLD OVER Pd/Ni
WIRE	SEE NOTE 1	

3	CHANGED PER DCN7275. DJH	01/27/00 <i>A.P.H.</i>
2	CHANGED CURRENT RATING ON 2, 3, AND 4 POLE PER DCN7275. DJH	11/18/99
1	RELEASED PER DCN5711-20. DJH	06/02/99
SYM	REVISIONS	APP DATE

THE DESIGN AND DIMENSIONS OF THE PRODUCT SHOWN ON THIS DRAWING ARE SUBJECT TO CHANGE WITHOUT NOTICE

TITLE
FEMALE RECEPTACLE, 300V DUAL KEY, INTERNAL THREAD

TOLERANCES UNLESS OTHERWISE SPECIFIED	WIRING DEVICE-KELLEMS HUBBELL INCORPORATED BRIDGEPORT, CT	
FRACTIONS ± 1/64	DR. BY DJH	APP. BY GH
DECIMALS ± .005	TR. BY	SCALE NONE
ANGLES ± 2'	CHK'D BY GH	DATE 06/02/99

DIMENSION SHEET FOR CAT. NO. M-7997
 REPAIRABLE NON-REPAIRABLE
 SEE CHART
 M-7997
 3