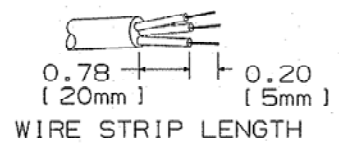
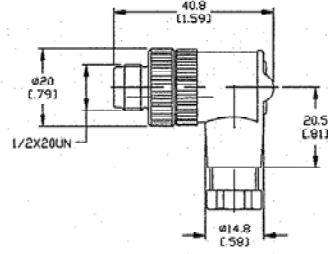
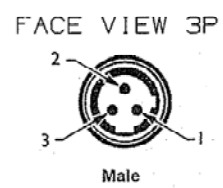
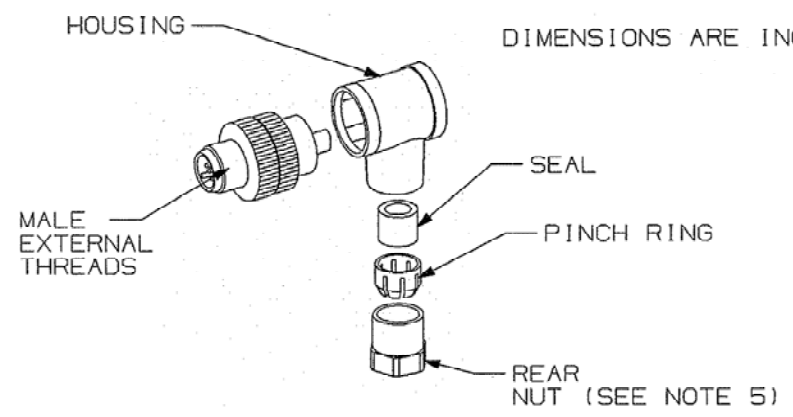


M-11792 1



DIMENSIONS ARE INCHES [ mm ]



PINOUT AND COLOR CODE  
 1 GREEN  
 2 RED/BLACK TR  
 3 RED/WHITE TR

NOTES: UNLESS OTHERWISE SPECIFIED:

1. WIRE SIZE: 18AWG (0.75mm<sup>2</sup>) MAX.
2. ENCLOSURE RATING: IP67
3. OPERATING TEMPERATURE: -40° C TO 90° C.
4. **UL** US RECOGNIZED.
5. RECOMMENDED REAR NUT TORQUES  
 F7 STYLE - 7-8 IN.LBS (80-100 Ncm)  
 F9 STYLE - 7-8 IN.LBS (80-100 Ncm).
6. RECOMMENDED TERMINAL TORQUE  
 3.54 IN.LBS (40Ncm)

CATALOG NO.	POLES	RATING	CABLE RANGE
MIMA23F7	3	250V/4A	0.16-0.24 IN.
MIMA23F9	3	250V/4A	0.24-0.32 IN.

LIST OF PARTS		
DESCRIPTION	MATERIAL	FINISH
COUPLING NUT	BRASS	NICKEL PLATED
CONNECTOR SHELL	NYLON	BLACK
CONTACTS	BRASS	GOLD PLATED
		PALLADIUM
		NICKEL

1	12/1/10 NEW RELEASE PER DCN 17341 CAC		
---	--	--	--

SYM	REVISIONS	APP	DATE

THE DESIGN AND DIMENSIONS OF THE PRODUCT SHOWN ON THIS DRAWING ARE SUBJECT TO CHANGE WITHOUT NOTICE

TITLE  
 ANGLED MALE  
 MICRO QUICK  
 THD. TYPE F7, F9

TOLERANCES UNLESS OTHERWISE SPECIFIED		WIRING DEVICE-KELLEMS HUBBELL INCORPORATED BRIDGEPORT, CT	
FRACTIONS	± 1/64	DR. BY	CAC
DECIMALS	± .005	IR. BY	
ANGLES	± 2°	APP. BY	
		SCALE	NONE
		CHK'D BY	DATE 12-2-10

QUESTION SHEET FOR CAT. NO. SEE TABLE REPAIRABLE  NON-REPAIRABLE  B M-11792 1