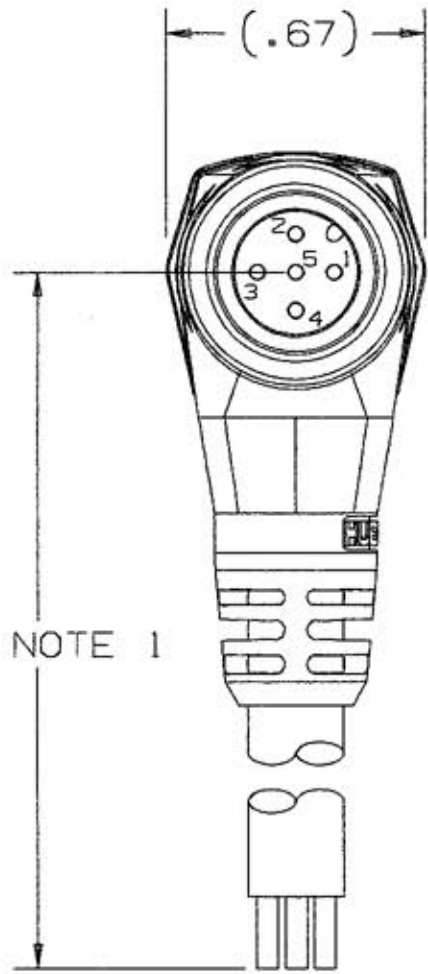
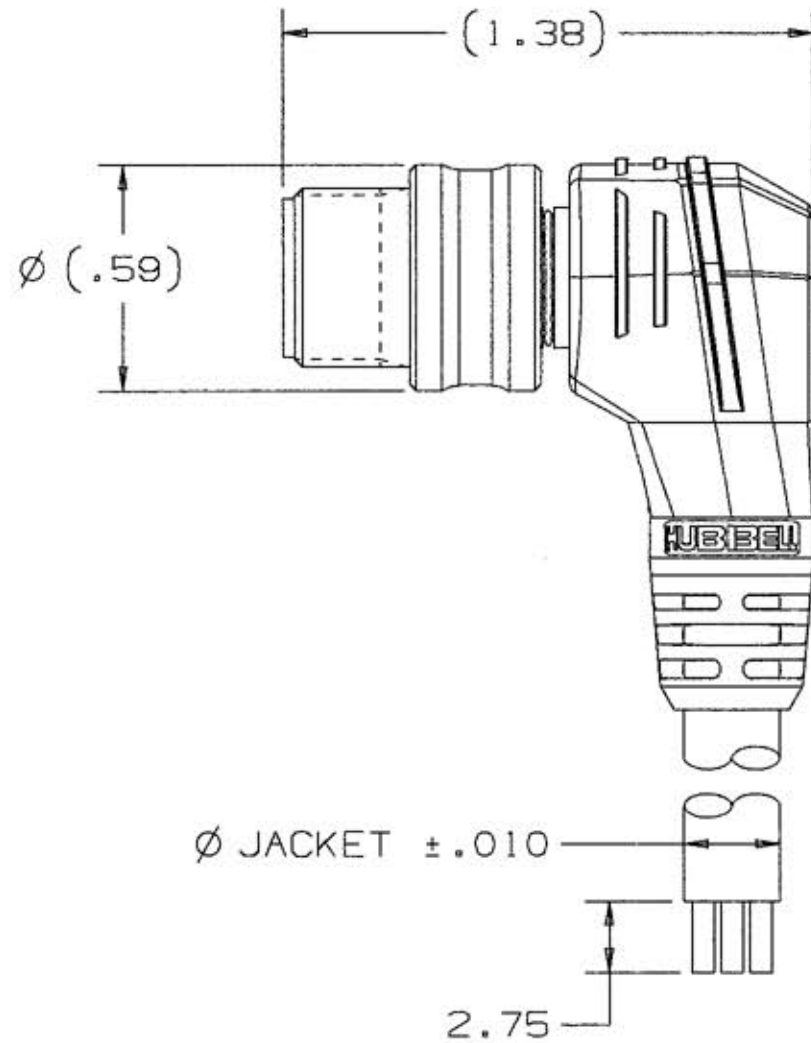
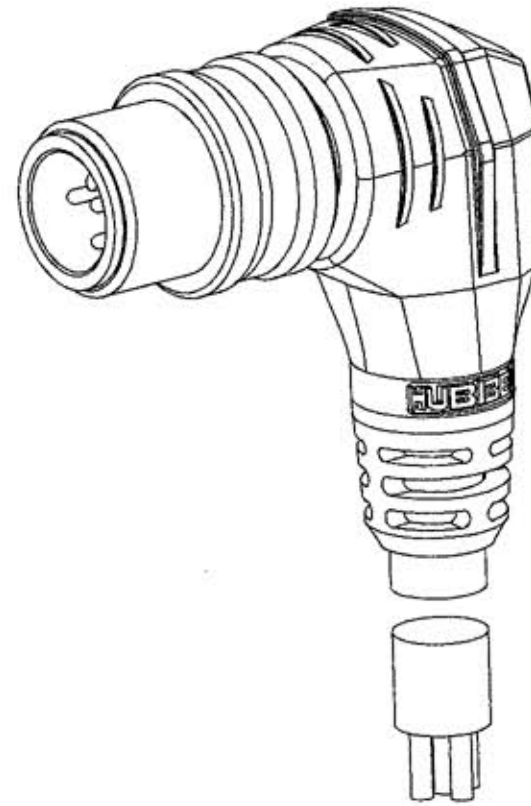


M-8085 | 1



SEE NOTE 1

NOTES:

1. PLUG ASSEMBLIES AVAILABLE IN 2M, 4M, 5M, AND 6M LENGTHS. CONSULT FACTORY FOR OTHER LENGTHS.
2. SUFFIX IN CATALOG NUMBER DENOTES LENGTH OF PLUG ASSEMBLY IN METERS. MIMA1512 IS 2M LONG.

CATALOG NUMBER SEE NOTE 2	AMPS	VOLTS	Ø JACKET
MIMA151_	4	300VDC	.262
MINA151_			

LIST OF PARTS

DESCRIPTION	MATERIAL	FINISH
COUPLING NUT	6/6 NYLON	
COUPLING NUT	BRASS	NICKEL
INSULATOR	6/6 NYLON	
O-RING	SILICONE	
PIN CONTACTS	BRASS	GOLD OVER PD/NI
OVERMOLD	POLYURETHANE	
CABLE	22 AWG PVC	

DIMENSION SHEET FOR CAT. NO.

REPAIRABLE NON-REPAIRABLE

1	RELEASED PER DCN5711-13. DJH <i>A.P.H.</i>	02/04/99
SYM	REVISIONS	APP DATE

THE DESIGN AND DIMENSIONS OF THE PRODUCT SHOWN ON THIS DRAWING ARE SUBJECT TO CHANGE WITHOUT NOTICE

TITLE MALE PLUG 90°, SINGLE KEY, EXTERNAL THREAD

TOLERANCES UNLESS OTHERWISE SPECIFIED FRACTIONS ±1/64 DECIMALS ±.005 ANGLES ±2°	WIRING DEVICE-KELLEMS HUBBELL INCORPORATED BRIDGEPORT, CT	
	DR. BY DJH	APP. BY
	TR. BY	SCALE NONE
	CHK'D BY <i>G.H.</i>	DATE 02/04/99

B

M-8085

1