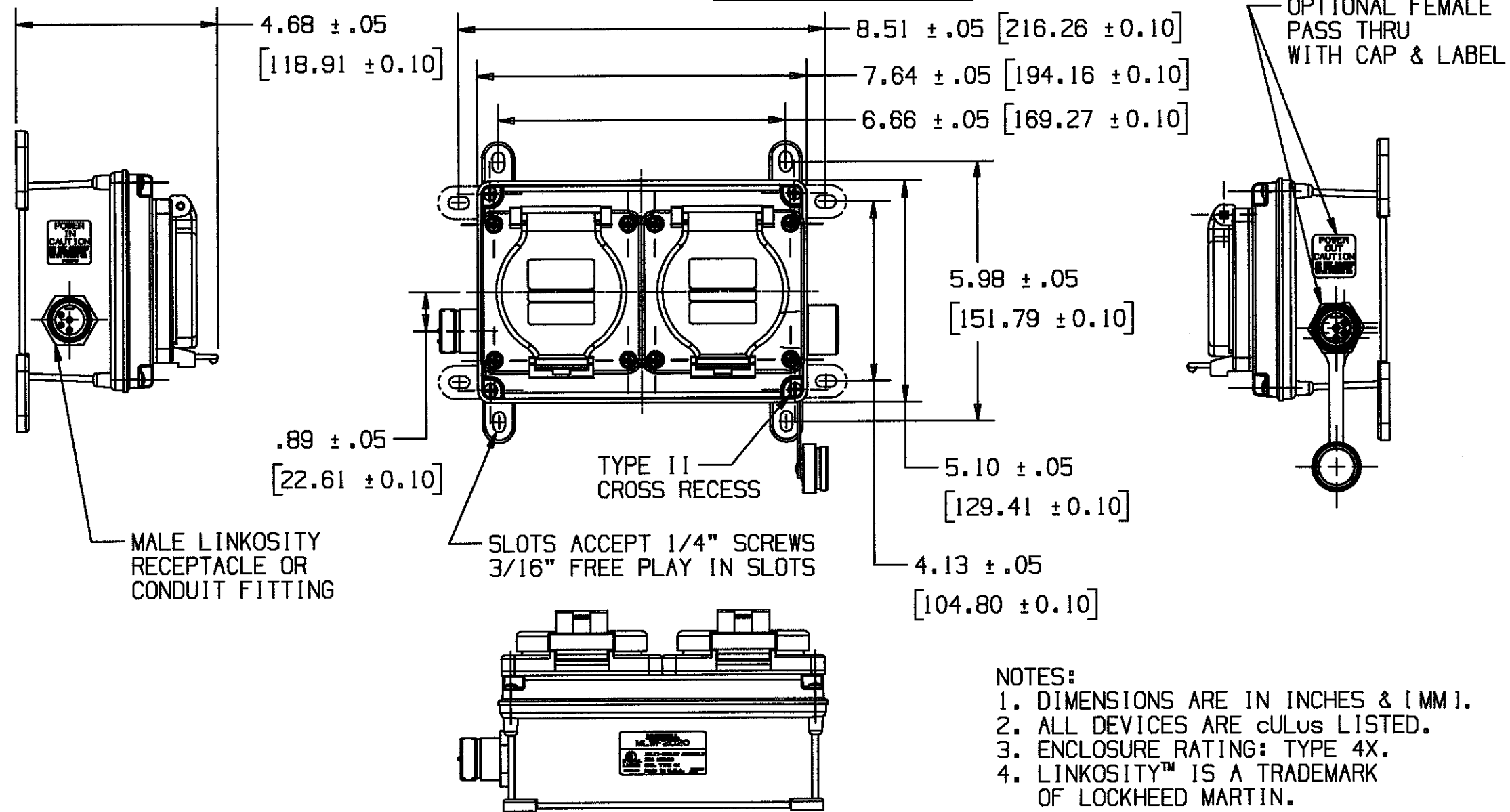


M-99601



LIST OF PARTS		
DESCRIPTION	MATERIAL	FINISH
ALL EXTERNAL PLASTIC PARTS	UV STABILIZED POLYESTER/POLYCARBONATE BLEND	
ALL EXTERNAL SCREWS AND HARDWARE	STAINLESS STEEL	

1	RELEASED PER DCN#12718	WRV	11/9/05
---	------------------------	-----	---------

THE DESIGN AND DIMENSIONS OF THE PRODUCT SHOWN ON THIS DRAWING ARE SUBJECT TO CHANGE WITHOUT NOTICE

TITLE
LINKOSITY PSDA (TWIST LOCK VERSIONS)

TOLERANCES UNLESS OTHERWISE SPECIFIED	WIRING DEVICE-KELLEMS HUBBELL INCORPORATED BRIDGEPORT, CT	
FRACTIONS ± 1/64	DR. BY WRV	APP. BY TLS
DECIMALS ± .005	TR. BY	SCALE 1:3
ANGLES ± 2°	CHK'D BY	DATE 11/05

STYLE ¹	
DIGIT	DESC.
L	LINKOSITY
C	CONDUIT

TYPE ²	
DIGIT	DESC.
WF	WATER TIGHT SS RECEPT
WM	WATER TIGHT SS INLET

PASS THRU ⁴	
DIGIT	DESC.
P	PASS THRU
0	NO PASS THRU

RECEPTACLE TYPE ³	
DIGIT	DESC.
01	20A 125V STRGT BLDE
02	20A 125V TWIST LOCK
03	20A 250V TWIST LOCK
04	20A 277V TWIST LOCK
05	30A 125V TWIST LOCK
06	30A 250V TWIST LOCK
07	20A 125/250V TWIST LOCK
08	20A 3∅ 250V TWIST LOCK
09	20A 3∅ 480V TWIST LOCK
10	30A 125/250V TWIST LOCK
11	30A 3∅ 250V TWIST LOCK
12	30A 3∅ 480V TWIST LOCK
13	30A 3∅ 600V TWIST LOCK

