

M-8486 1

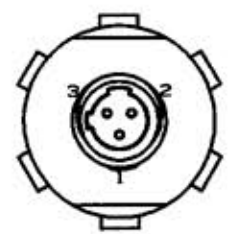


FIGURE 2

WIRE	COLOR
1	GREEN
2	RED/BLACK
3	RED/WHITE

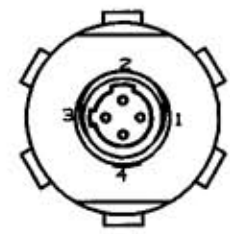


FIGURE 3

WIRE	COLOR
1	RED/BLACK
2	RED/WHITE
3	RED
4	GREEN

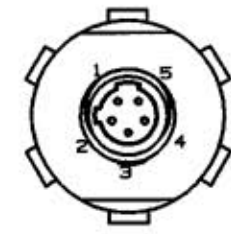


FIGURE 4

WIRE	COLOR
1	RED/WHITE
2	RED
3	GREEN
4	RED/YELLOW
5	RED/BLACK

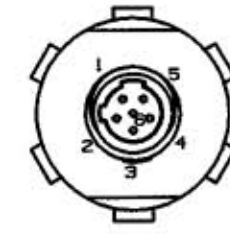


FIGURE 5

WIRE	COLOR
1	RED/WHITE
2	RED
3	GREEN
4	RED/YELLOW
5	RED/BLACK
6	RED/BLUE

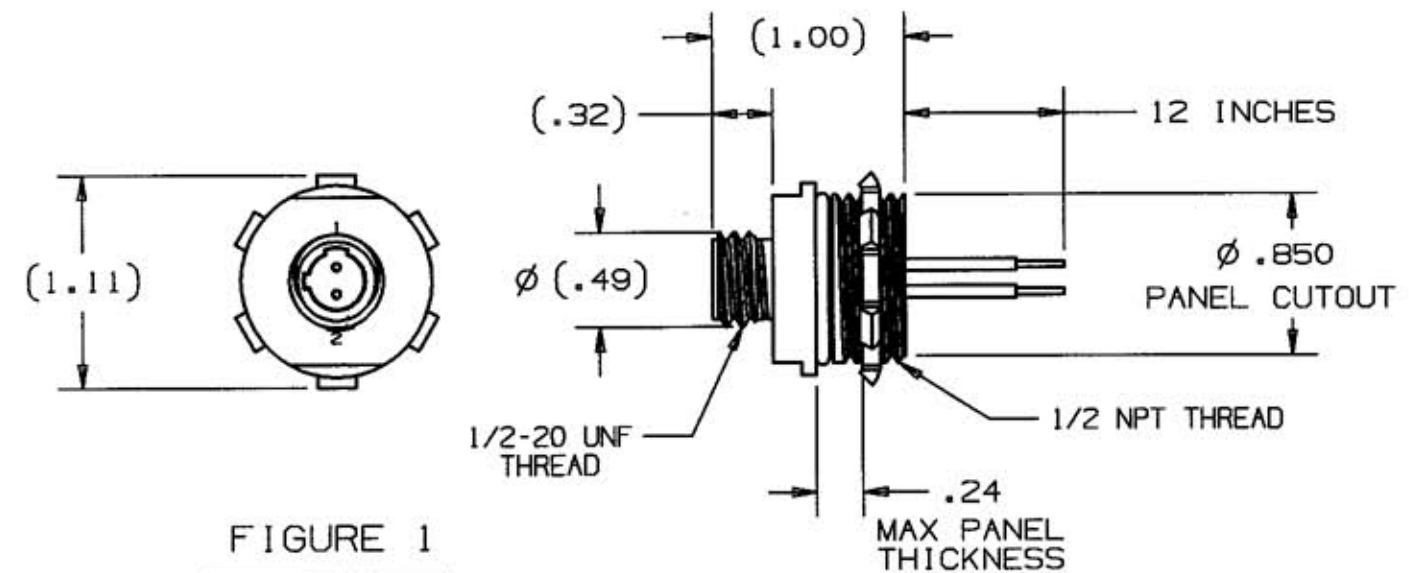


FIGURE 1

WIRE	COLOR
1	BROWN
2	BLUE

NOTES:
 1. CATALOG NUMBER MBMS22350 DENOTES A 22 AWG PVC WIRE;
 MBMS22450 DENOTES A 18 AWG PVC WIRE.

CATALOG NUMBER SEE NOTE 1	SEE FIGURE NUMBER	NUMBER OF POLES	AMPS
MBMS22350	1	2	5
MBMS22450		2	8
MBMS23350	2	3	5
MBMS23450		3	8
MBMS24350	3	4	4
MBMS24450		4	6
MBMS25350	4	5	4
MBMS25450		5	5
MBMS26350	5	6	3

LIST OF PARTS		
DESCRIPTION	MATERIAL	FINISH
RECEPTACLE SHELL	BRASS	NICKEL
INSULATOR	NYLON	WHITE
O-RING	RUBBER	BLACK
LOCKNUT	STEEL	ZINC
PIN CONTACT	BRASS	GOLD OVER Pd/Ni
WIRE	SEE NOTE 1	

1	"X" REMOVED; LAST X-REVISION WAS X-0. RELEASED FOR PRODUCTION PER DCN #8643. JMN GPH B.P.H.	5/21/01
SYM	REVISIONS	APP DATE

THE DESIGN AND DIMENSIONS OF THE PRODUCT SHOWN ON THIS DRAWING ARE SUBJECT TO CHANGE WITHOUT NOTICE

TITLE
 MALE RECEPTACLE, 300V
 DUAL KEY, EXTERNAL THREAD,
 1/2 NPT

TOLERANCES UNLESS OTHERWISE SPECIFIED FRACTIONS ± 1/64 DECIMALS ± .005 ANGLES ± 2'	WIRING DEVICE-KELLEMS HUBBELL INCORPORATED BRIDGEPORT, CT	
	DR. BY JMN	APP. BY GH
	TR. BY	SCALE NONE
	CHK'D BY GH	DATE 5/21/01

DIMENSION SHEET FOR CAT. NO. SEE CHART
 REPAIRABLE NON-REPAIRABLE
 B
 M-8486
 1