

M-81871

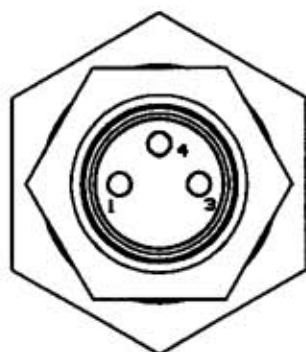


FIGURE 1

WIRE	COLOR
1	BROWN
2	NOT USED
3	BLUE
4	BLACK

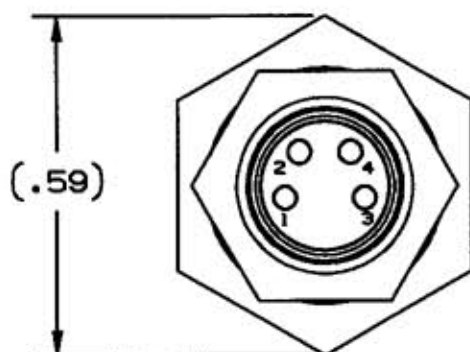
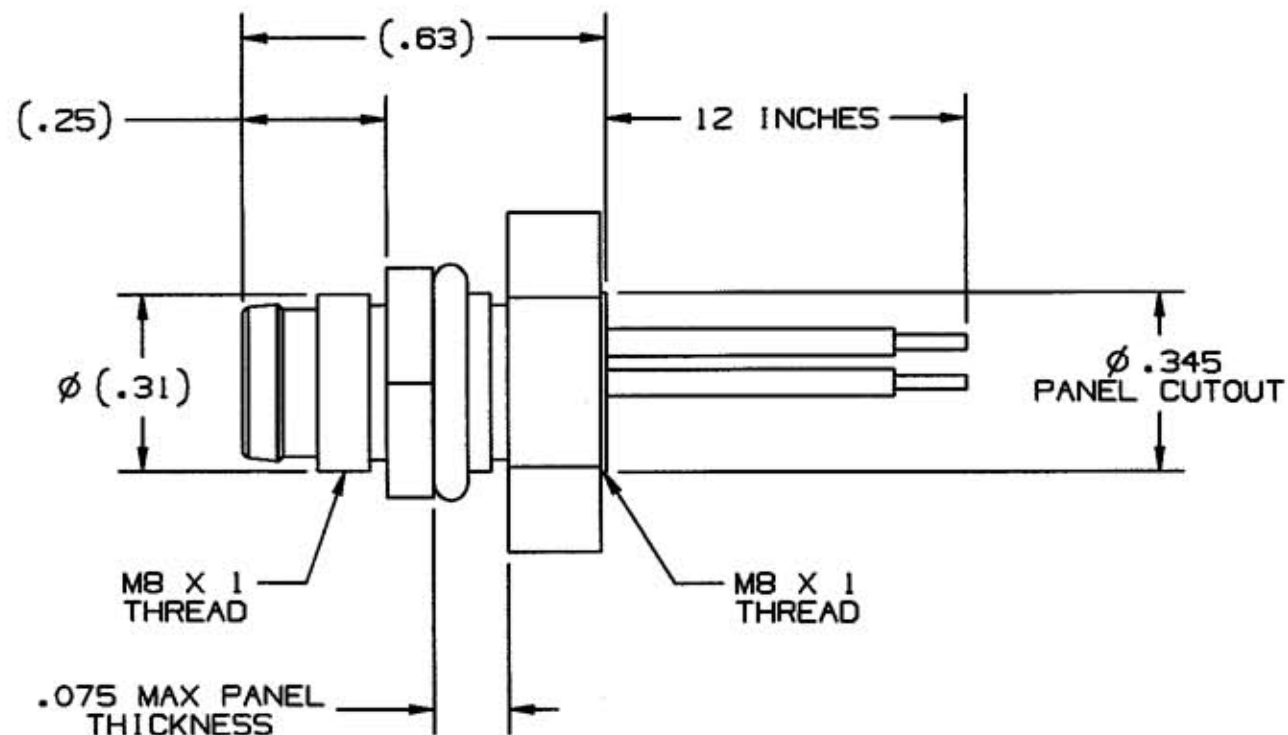
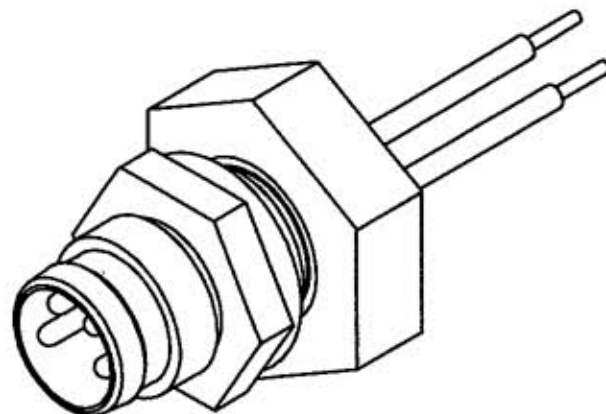


FIGURE 2

WIRE	COLOR
1	BROWN
2	WHITE
3	BLUE
4	BLACK



CATALOG NUMBER	SEE FIGURE NUMBER	NUMBER OF POLES	AMPS
NBCS3D	1	3	4
NBCS4D	2	4	4

LIST OF PARTS

DESCRIPTION	MATERIAL	FINISH
RECEPTACLE SHELL	BRASS	NICKEL
INSULATOR	NYLON	WHITE
O-RING	RUBBER	BLACK
LOCKNUT	STEEL	ZINC
PIN CONTACT	BRASS	GOLD OVER Pd/Ni
WIRE	24 AWG PVC	SEE FIGURE

DIMENSION SHEET FOR CAT. NO. SEE CHART

REPAIRABLE NON-REPAIRABLE

1	RELEASED PER DCN6683. DJH <i>S.P.H.</i>	07/27/99
SYM	REVISIONS	APP DATE

THE DESIGN AND DIMENSIONS OF THE PRODUCT SHOWN ON THIS DRAWING ARE SUBJECT TO CHANGE WITHOUT NOTICE

TITLE
MALE RECEPTACLE,
SNAP/COUPLING,
#24 AWG WIRE

TOLERANCES UNLESS OTHERWISE SPECIFIED		WIRING DEVICE-KELLEMS HUBBELL INCORPORATED BRIDGEPORT, CT	
FRACTIONS ± 1/64	DECIMALS ± .005	DR. BY DJH	APP. BY
ANGLES ± 2°		TR. BY	SCALE NONE
		CHK'D BY G.H.	DATE 07/27/99

B M-8187 1