

GANG 1 GANG 2
SEE CONFIGURATIONS ON SHT 2.

NOTES:
1. INCHES (MM)
2. SEE PAGE TWO FOR CONFIGURATION DIMENSIONS.

CAT. NO	COLOR/FINISH	CONFIGURATION		MATL
		1	2	
NP112	BROWN	001	012	NYLON
NP112AL	ALMOND	001	012	NYLON
NP112BK	BLACK	001	012	NYLON
NP112GY	GRAY	001	012	NYLON
NP112I	IVORY	001	012	NYLON
NP112OW	OFF WHITE	001	012	NYLON
NP112R	RED	001	012	NYLON
NP112W	WHITE	001	012	NYLON
NP113	BROWN	001	013	NYLON
NP113AL	ALMOND	001	013	NYLON
NP113BK	BLACK	001	013	NYLON
NP113GY	GRAY	001	013	NYLON
NP113I	IVORY	001	013	NYLON
NP113LA	LIGHT ALMOND	001	013	NYLON
NP113OW	OFF WHITE	001	013	NYLON
NP113R	RED	001	013	NYLON
NP113W	WHITE	001	013	NYLON
NP1214	BROWN	012	014	NYLON
NP1214AL	ALMOND	012	014	NYLON
NP1214BK	BLACK	012	014	NYLON
NP1214GY	GRAY	012	014	NYLON
NP1214I	IVORY	012	014	NYLON
NP1214OW	OFF WHITE	012	014	NYLON
NP1214R	RED	012	014	NYLON
NP1214W	WHITE	012	014	NYLON
NP1226	BROWN	026	012	NYLON
NP1226AL	ALMOND	026	012	NYLON
NP1226BK	BLACK	026	012	NYLON
NP1226GY	GRAY	026	012	NYLON
NP1226I	IVORY	026	012	NYLON
NP1226OW	OFF WHITE	026	012	NYLON
NP1226R	RED	026	012	NYLON
NP1226W	WHITE	026	012	NYLON
NP126	BROWN	001	026	NYLON
NP126AL	ALMOND	001	026	NYLON
NP126BK	BLACK	001	026	NYLON
NP126GY	GRAY	001	026	NYLON
NP126I	IVORY	001	026	NYLON
NP126LA	LIGHT ALMOND	001	026	NYLON
NP126OW	OFF WHITE	001	026	NYLON
NP126R	RED	001	026	NYLON
NP126W	WHITE	001	026	NYLON

CAT. NO	COLOR/FINISH	CONFIGURATION		MATL
		1	2	
NP128	BROWN	008	012	NYLON
NP128AL	ALMOND	008	012	NYLON
NP128BK	BLACK	008	012	NYLON
NP128GY	GRAY	008	012	NYLON
NP128I	IVORY	008	012	NYLON
NP128OW	OFF WHITE	008	012	NYLON
NP128R	RED	008	012	NYLON
NP128W	WHITE	008	012	NYLON
NP1326	BROWN	013	026	NYLON
NP1326AL	ALMOND	013	026	NYLON
NP1326BK	BLACK	013	026	NYLON
NP1326GY	GRAY	013	026	NYLON
NP1326I	IVORY	013	026	NYLON
NP1326LA	LIGHT ALMOND	013	026	NYLON
NP1326OW	OFF WHITE	013	026	NYLON
NP1326R	RED	013	026	NYLON
NP1326W	WHITE	013	026	NYLON
NP138	BROWN	013	008	NYLON
NP138AL	ALMOND	013	008	NYLON
NP138BK	BLACK	013	008	NYLON
NP138GY	GRAY	013	008	NYLON
NP138I	IVORY	013	008	NYLON
NP138OW	OFF WHITE	013	008	NYLON
NP138R	RED	013	008	NYLON
NP138W	WHITE	013	008	NYLON
NP138LA	LIGHT ALMOND	013	008	NYLON
NP147	BROWN	007	014	NYLON
NP147AL	ALMOND	007	014	NYLON
NP147BK	BLACK	007	014	NYLON
NP147GY	GRAY	007	014	NYLON
NP147I	IVORY	007	014	NYLON
NP147OW	OFF WHITE	007	014	NYLON
NP147R	RED	007	014	NYLON
NP147W	WHITE	007	014	NYLON
NP17	BROWN	001	007	NYLON
NP17AL	ALMOND	001	007	NYLON
NP17BK	BLACK	001	007	NYLON
NP17GY	GRAY	001	007	NYLON
NP17I	IVORY	001	007	NYLON
NP17OW	OFF WHITE	001	007	NYLON
NP17R	RED	001	007	NYLON
NP17W	WHITE	001	007	NYLON

CAT. NO	COLOR/FINISH	CONFIGURATION		MATL
		1	2	
NP18	BROWN	001	008	NYLON
NP18AL	ALMOND	001	008	NYLON
NP18BK	BLACK	001	008	NYLON
NP18GY	GRAY	001	008	NYLON
NP18I	IVORY	001	008	NYLON
NP18LA	LIGHT ALMOND	001	008	NYLON
NP18OW	OFF WHITE	001	008	NYLON
NP18R	RED	001	008	NYLON
NP18W	WHITE	001	008	NYLON
NP2	BROWN	001	001	NYLON
NP2AL	ALMOND	001	001	NYLON
NP2BK	BLACK	001	001	NYLON
NP2GY	GRAY	001	001	NYLON
NP2I	IVORY	001	001	NYLON
NP2LA	LIGHT ALMOND	001	001	NYLON
NP2OW	OFF WHITE	001	001	NYLON
NP2R	RED	001	001	NYLON
NP2W	WHITE	001	001	NYLON
NP2WA	EXTRA WHITE	001	001	NYLON
NP21	BROWN	011	011	NYLON
NP21AL	ALMOND	011	011	NYLON
NP21BK	BLACK	011	011	NYLON
NP21GY	GRAY	011	011	NYLON
NP21I	IVORY	011	011	NYLON
NP21OW	OFF WHITE	011	011	NYLON
NP21R	RED	011	011	NYLON
NP21W	WHITE	011	011	NYLON
NP23	BROWN	013	013	NYLON
NP23AL	ALMOND	013	013	NYLON
NP23BK	BLACK	013	013	NYLON
NP23GY	GRAY	013	013	NYLON
NP23I	IVORY	013	013	NYLON
NP23LA	LIGHT ALMOND	013	013	NYLON
NP23OW	OFF WHITE	013	013	NYLON
NP23R	RED	013	013	NYLON
NP23W	WHITE	013	013	NYLON
NP24	BROWN	014	014	NYLON
NP24AL	ALMOND	014	014	NYLON
NP24BK	BLACK	014	014	NYLON
NP24GY	GRAY	014	014	NYLON
NP24I	IVORY	014	014	NYLON
NP24OW	OFF WHITE	014	014	NYLON
NP24R	RED	014	014	NYLON
NP24W	WHITE	014	014	NYLON

CAT. NO	COLOR/FINISH	CONFIGURATION		MATL
		1	2	
NP262	BROWN	026	026	NYLON
NP262AL	ALMOND	026	026	NYLON
NP262BK	BLACK	026	026	NYLON
NP262GY	GRAY	026	026	NYLON
NP262I	IVORY	026	026	NYLON
NP262LA	LIGHT ALMOND	026	026	NYLON
NP262OW	OFF WHITE	026	026	NYLON
NP262R	RED	026	026	NYLON
NP262W	WHITE	026	026	NYLON
NP703	BROWN	098		NYLON
NP703AL	ALMOND	098		NYLON
NP703BK	BLACK	098		NYLON
NP703GY	GRAY	098		NYLON
NP703I	IVORY	098		NYLON
NP703OW	OFF WHITE	098		NYLON
NP703R	RED	098		NYLON
NP703W	WHITE	098		NYLON
NP78	BROWN	007	008	NYLON
NP78AL	ALMOND	007	008	NYLON
NP78BK	BLACK	007	008	NYLON
NP78GY	GRAY	007	008	NYLON
NP78I	IVORY	007	008	NYLON
NP78OW	OFF WHITE	007	008	NYLON
NP78R	RED	007	008	NYLON
NP78W	WHITE	007	008	NYLON
NP82	BROWN	008	008	NYLON
NP82AL	ALMOND	008	008	NYLON
NP82BK	BLACK	008	008	NYLON
NP82GY	GRAY	008	008	NYLON
NP82I	IVORY	008	008	NYLON
NP82LA	LIGHT ALMOND	008	008	NYLON
NP82OR	ORANGE	008	008	NYLON
NP82OW	OFF WHITE	008	008	NYLON
NP82R	RED	008	008	NYLON
NP82W	WHITE	008	008	NYLON
NP826	BROWN	008	026	NYLON
NP826AL	ALMOND	008	026	NYLON
NP826BK	BLACK	008	026	NYLON
NP826GY	GRAY	008	026	NYLON
NP826I	IVORY	008	026	NYLON
NP826LA	LIGHT ALMOND	008	026	NYLON
NP826OW	OFF WHITE	008	026	NYLON
NP826R	RED	008	026	NYLON
NP826W	WHITE	008	026	NYLON

LIST OF PARTS

DESCRIPTION	MATERIAL	FINISH
SEE TABLE		

SYM	REVISIONS	APP	DATE
3	ADD CAT. TO TABLE NP2WA DCN 14941 GPK	JPD	6-13-08
2	ADD NP138LA PER DCN14106 FJ	RJ	7/13/07
1	NEW RELEASE PER DCN14054 MYA	WUH	6/19/07

THE DESIGN AND DIMENSIONS OF THE PRODUCT SHOWN ON THIS DRAWING ARE SUBJECT TO CHANGE WITHOUT NOTICE

TITLE 2 GANG (STANDARD) PLASTIC WALLPLATES SHEET 1 OF 2

WIRING DEVICE - KELLEMS HUBBELL INCORPORATED BRIDGEPORT, CT

TOLERANCES UNLESS OTHERWISE SPECIFIED
FRACTIONS ±1/64
DECIMALS ±005
ANGLES ±2

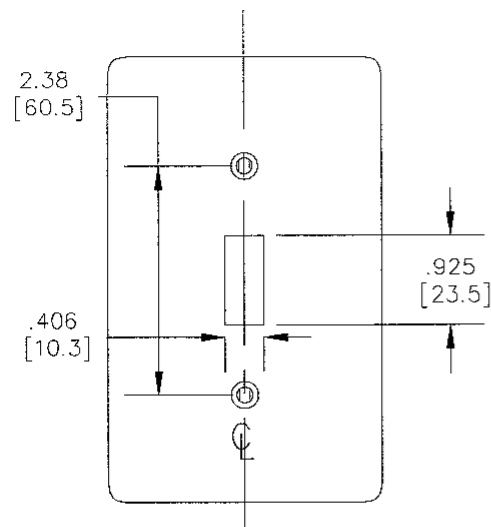
DR. BY MYA APP. BY WUH
TR. BY SCALE HALF
CHK'D BY WUH DATE 6/19/07

DIMENSION SHEET FOR CAT. NO. M-10683
 REPAIRABLE NON-REPAIRABLE

M-10683

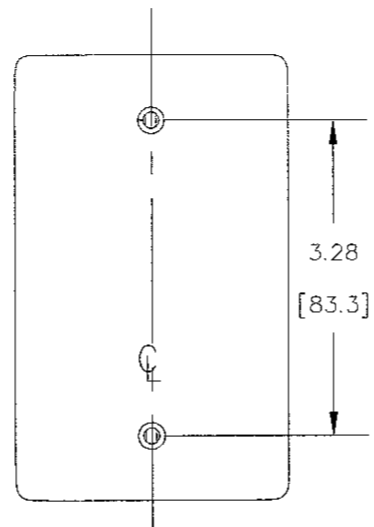
3

TOGGLE SWITCH PLATE



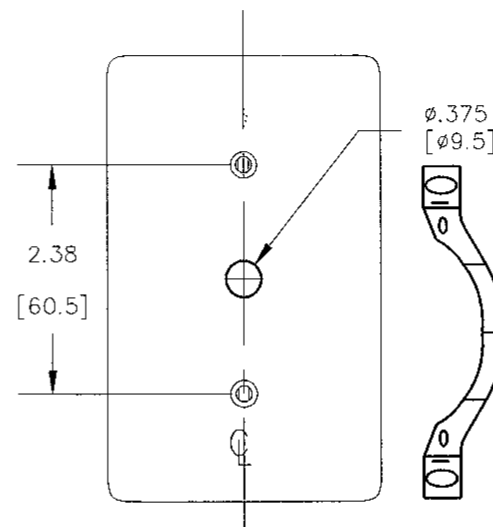
CONFIGURATION 001

BLANK PLATE (BOX MOUNT)



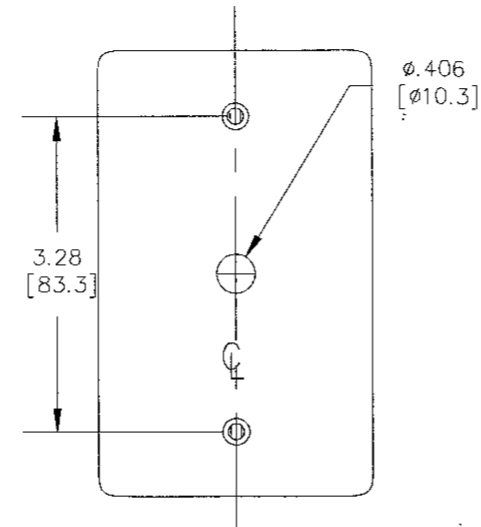
CONFIGURATION 013

SINGLE TELEPHONE (STRAP MOUNT)



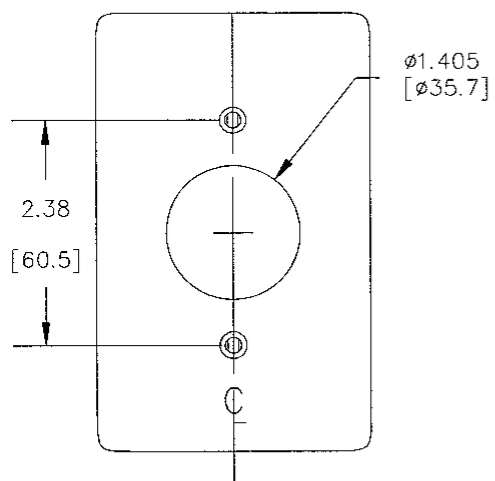
CONFIGURATION 055

SINGLE TELEPHONE (BOX MOUNT)



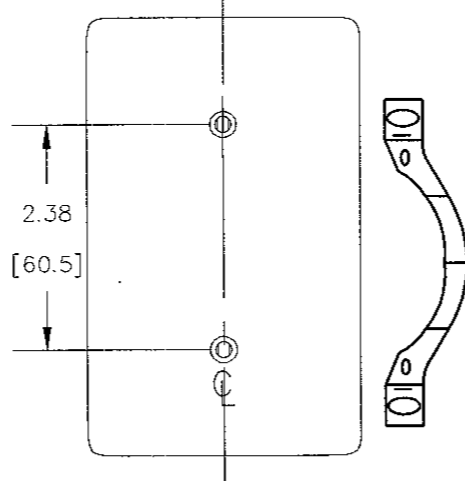
CONFIGURATION 011

SINGLE 15 OR 20A STRAIGHT BLADE RECEPTACLE



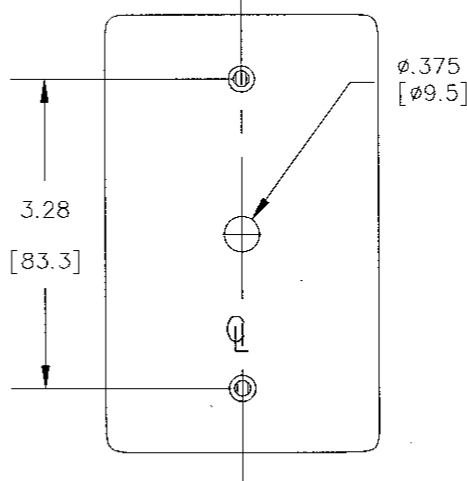
CONFIGURATION 007

BLANK PLATE (STRAP MOUNT)



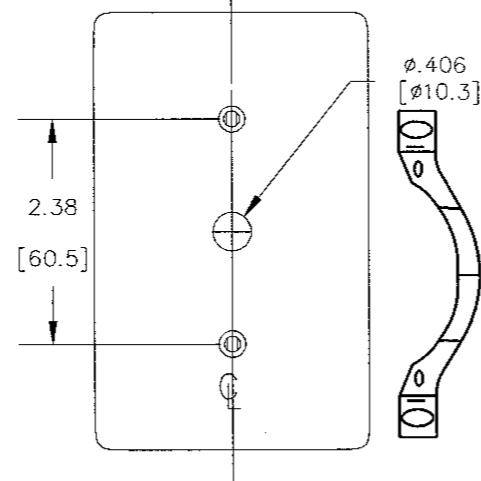
CONFIGURATION 014

SINGLE TELEPHONE (BOX MOUNT)



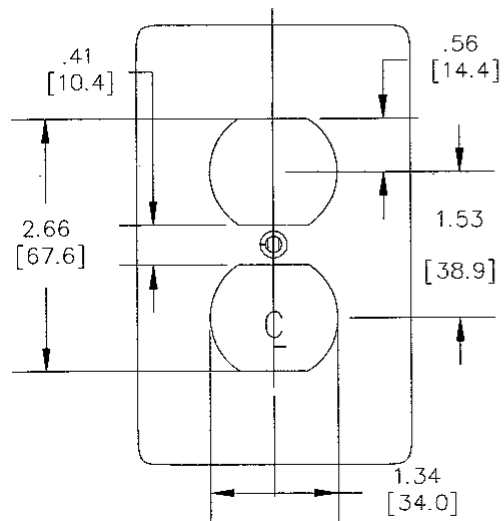
CONFIGURATION 056

SINGLE TELEPHONE (STRAP MOUNT)



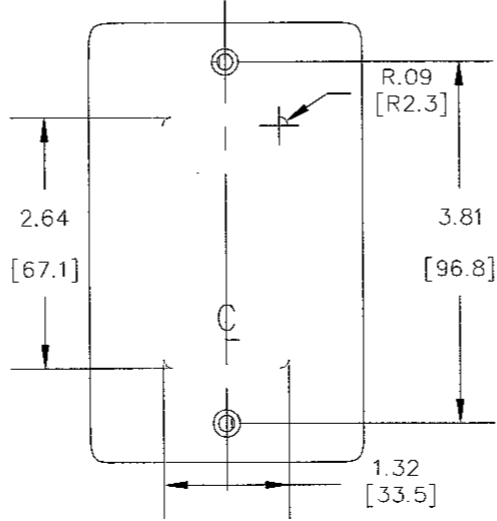
CONFIGURATION 012

DUPLIX RECEPTACLE

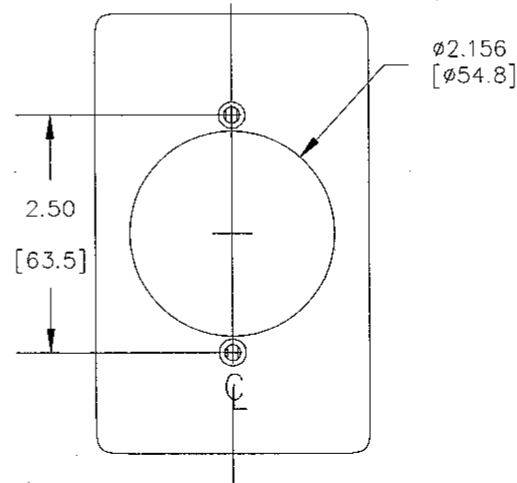


CONFIGURATION 008

GFI/RECTANGULAR OPENING



CONFIGURATION 026

SINGLE RECEPTACLE
30 OR 50A STRAIGHT BLADE

CONFIGURATION 098

CODE 74545

NOTES:
1. INCHES (MM)
2. SEE PAGE TWO FOR CONFIGURATION DIMENSIONS.

LIST OF PARTS

DESCRIPTION	MATERIAL	FINISH
SEE TABLE	---	---

SYM	REVISIONS	APP	DATE
3	REV. CHANGE ONLY. DCN 14941 GPK	<i>J.P.</i>	6-13-08
2	ADD NP138LA PER DCN14106 FJ	RJ	7/13/07
1	NEW RELEASE PER DCN14054 MYA	WUH	6/19/07

THE DESIGN AND DIMENSIONS OF THE PRODUCT SHOWN ON THIS DRAWING ARE SUBJECT TO CHANGE WITHOUT NOTICE

TITLE
2 GANG (STANDARD)
PLASTIC WALLPLATES
SHEET 2 OF 2

WIRING DEVICE-KELLEMS HUBBELL INCORPORATED BRIDGEPORT, CT	
DR. BY MYA	APP. BY WUH
TR. BY	SCALE HALF
CHK'D BY WUH	DATE 06/19/07

DIMENSION SHEET FOR CAT. NO.

REPAIRABLE NON-REPAIRABLE

B

M-10683

3