

CATALOG NUMBER	COLOR	WIRING
NS721I	IVORY	6 POSITION, 4 CONDUCTOR, 110 TERMINAL CONNECTION
NS721W	WHITE	6 POSITION, 4 CONDUCTOR, 110 TERMINAL CONNECTION
NS721AL	ALMOND	6 POSITION, 4 CONDUCTOR, 110 TERMINAL CONNECTION
NS723SS	STEEL	6 POSITION, 4 CONDUCTOR, 110 TERMINAL CONNECTION
NS722I	IVORY	6 POSITION, 4 CONDUCTOR, SCREW TERMINAL
NS722W	WHITE	6 POSITION, 4 CONDUCTOR, SCREW TERMINAL
NS722AL	ALMOND	6 POSITION, 4 CONDUCTOR, SCREW TERMINAL
NS726SS	STEEL	6 POSITION, 4 CONDUCTOR, SCREW TERMINAL
NS725I	IVORY	6 POSITION, 6 CONDUCTOR, SCREW TERMINAL
NS725W	WHITE	6 POSITION, 6 CONDUCTOR, SCREW TERMINAL
NS725AL	ALMOND	6 POSITION, 6 CONDUCTOR, SCREW TERMINAL
NS725LA	LIGHT ALMOND	6 POSITION, 6 CONDUCTOR, SCREW TERMINAL

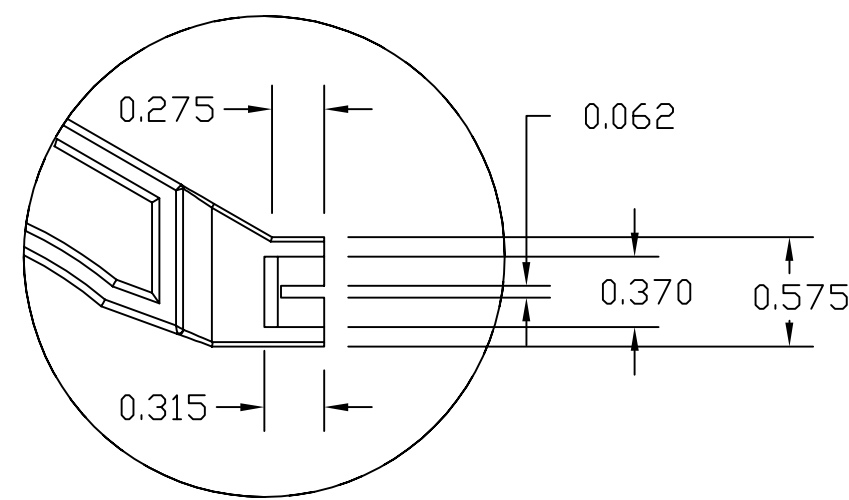
NOTES:

- SPECIFICATION:
 - MATERIAL (PLASTIC)—CHI MEI PA-765 WITH 1% UV INHIBITER. UL94V-0, 25% MAXIMUM ALLOWABLE REGRIND. ALTERNATIVE: TO BE SPECIFIED BY HUBBELL ENGINEERING.
 - SPRING WIRE.
 - MATL—0.45mm DIAMETER PHOSPHOR BRONZE.
 - PLATING — 6u"MIN HARD GOLD OVER 100u" NICKEL
 - CONDUCTOR—26AWG (016mm*7STRAND UL1061)

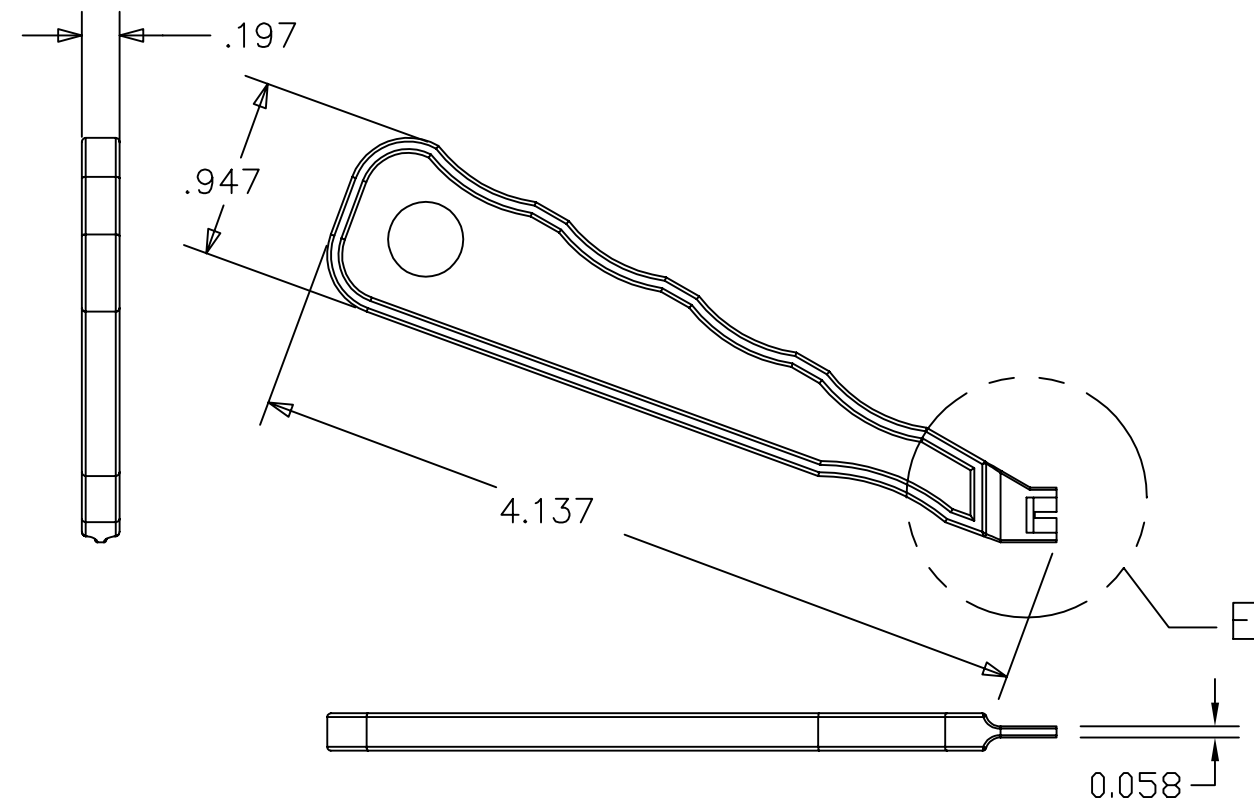
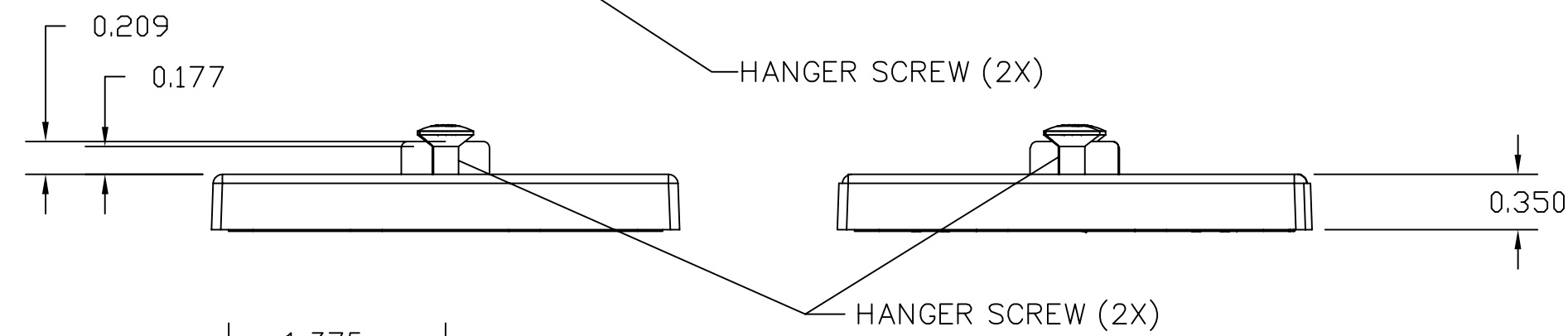
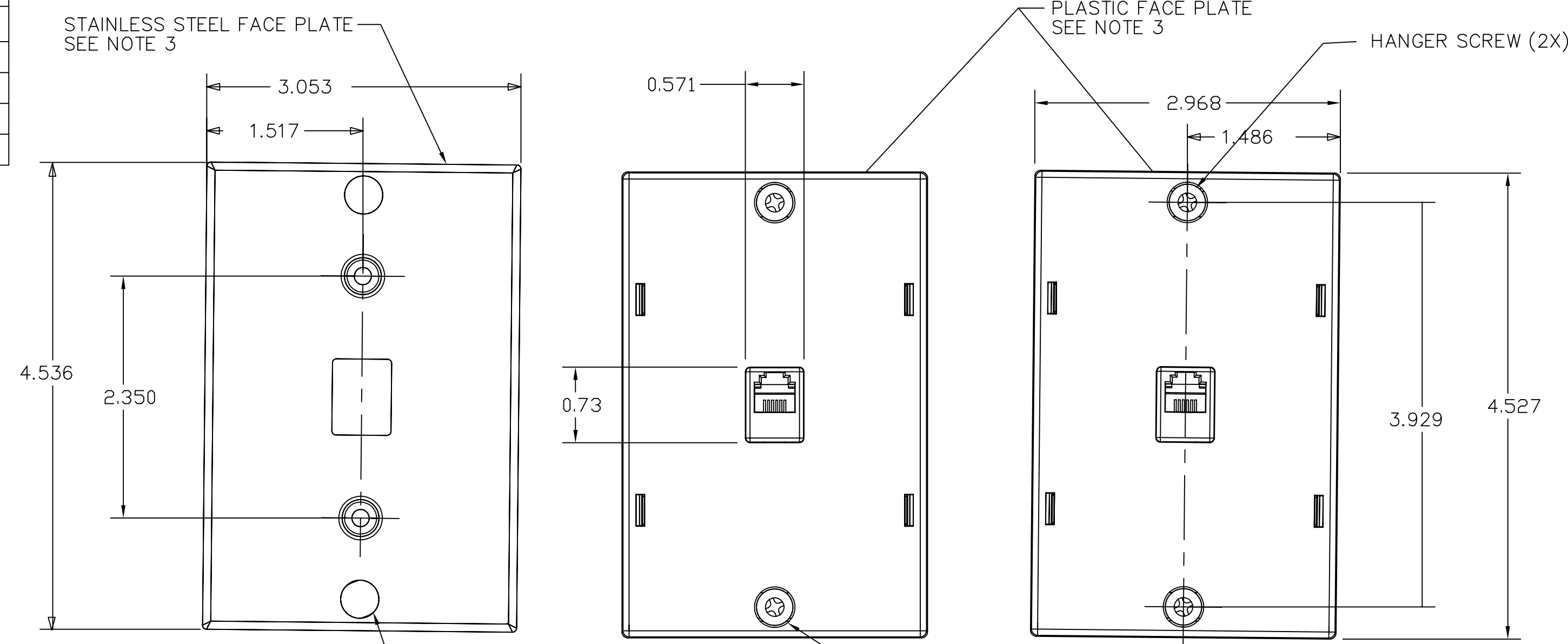
- ELECTRICAL:
- CURRENT RATING: 1.5 Amps.
 - INSULATION RESISTANCE: 500 MEGOHMS MINIMUM
 - CONTACT RESISTANCE: 20 MILLI - OHM MAXIMUM
 - DC RESISTANCE: 0.1 OHM MAXIMUM

2. 110 TERMINAL AND SCREW TERMINAL BOTH USE THE SAME TOP COVER; PLASTIC AND STAINLESS STEEL.

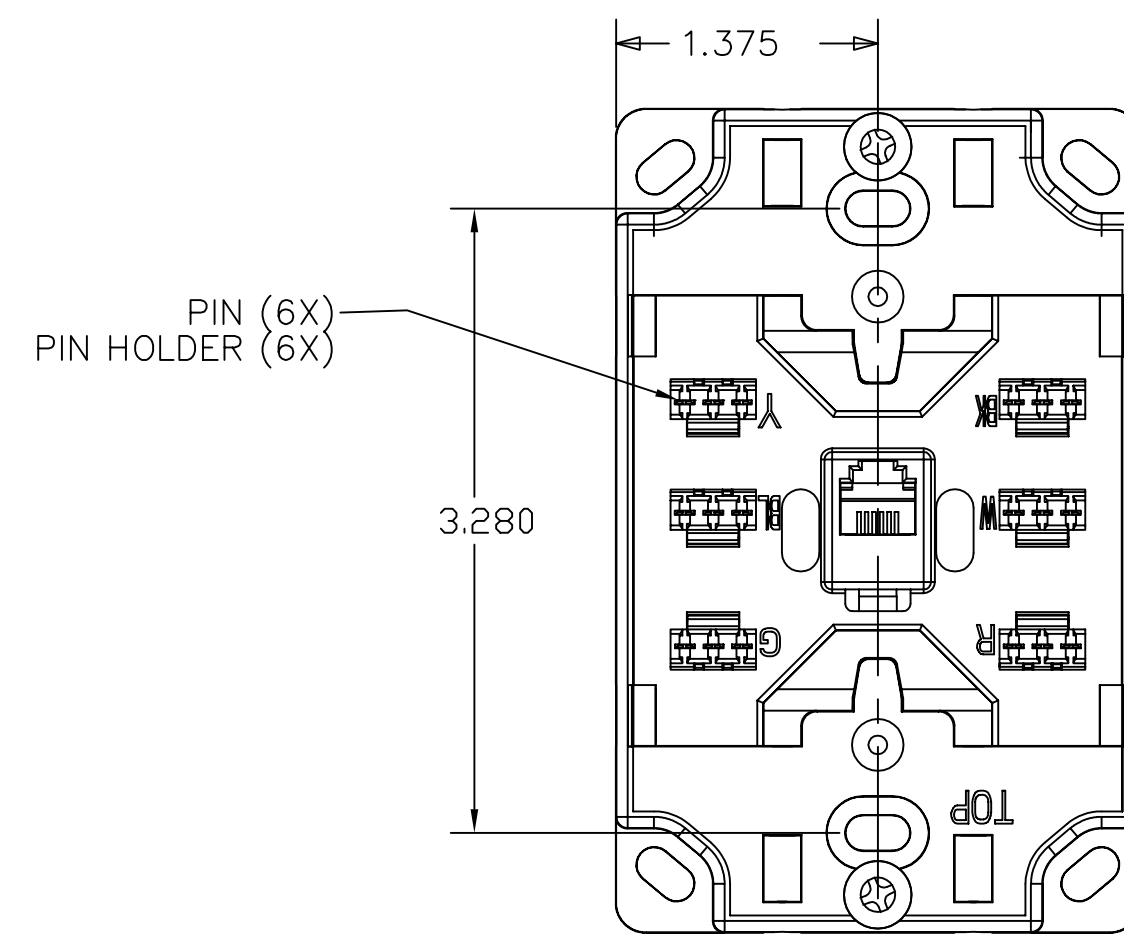
3. 110 TERMINAL AND SCREW TERMINAL BOTH USE THE SAME TOP COVER; PLASTIC AND STAINLESS STEEL.



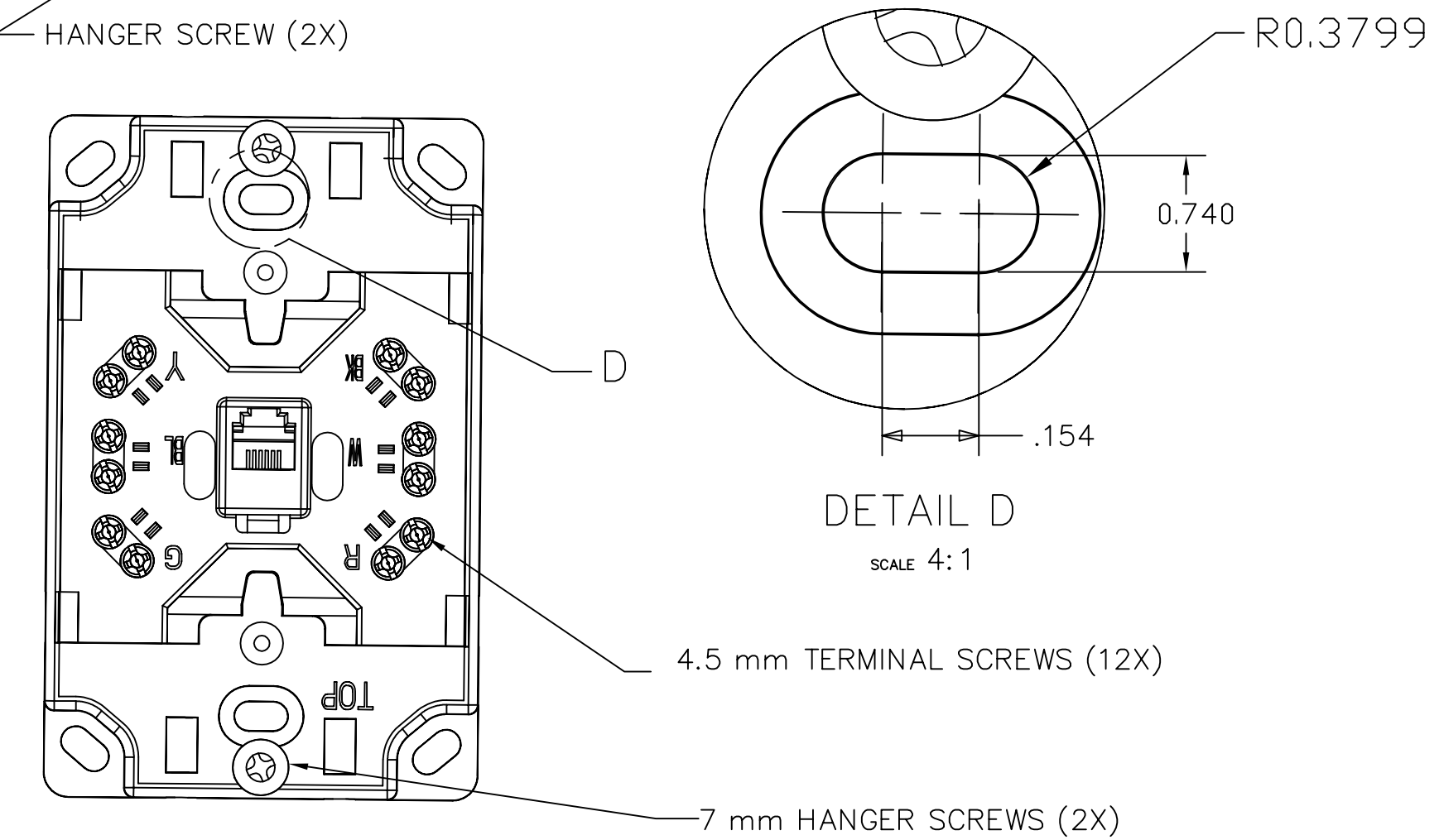
DETAIL E
SCALE 2:1



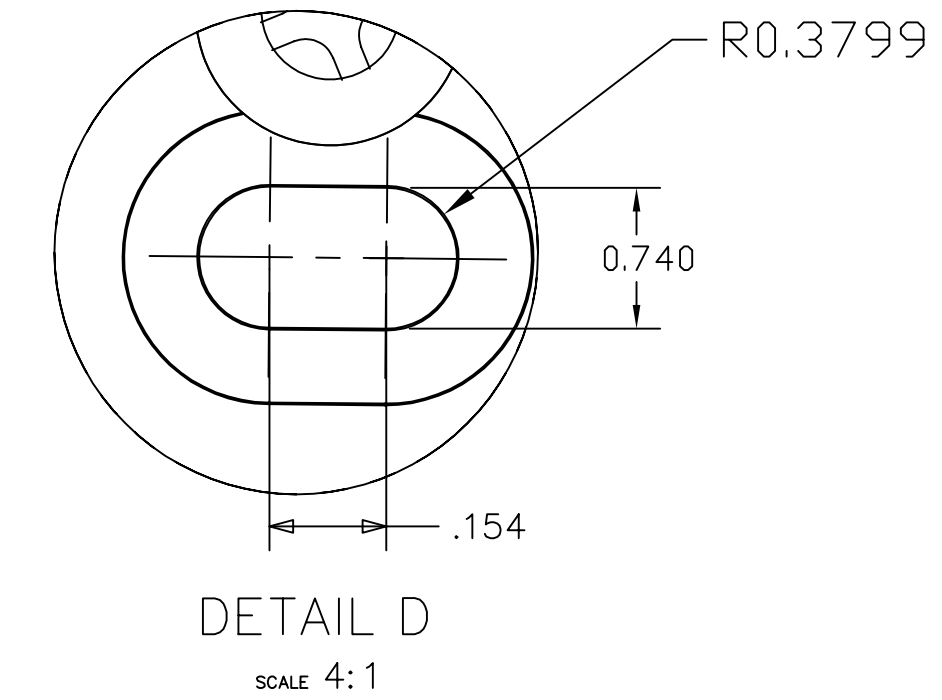
PUNCH DOWN
TERMINATION TOOL
PACKAGED WITH 110 TERMINAL TYPE
PHONE WALL PLATE



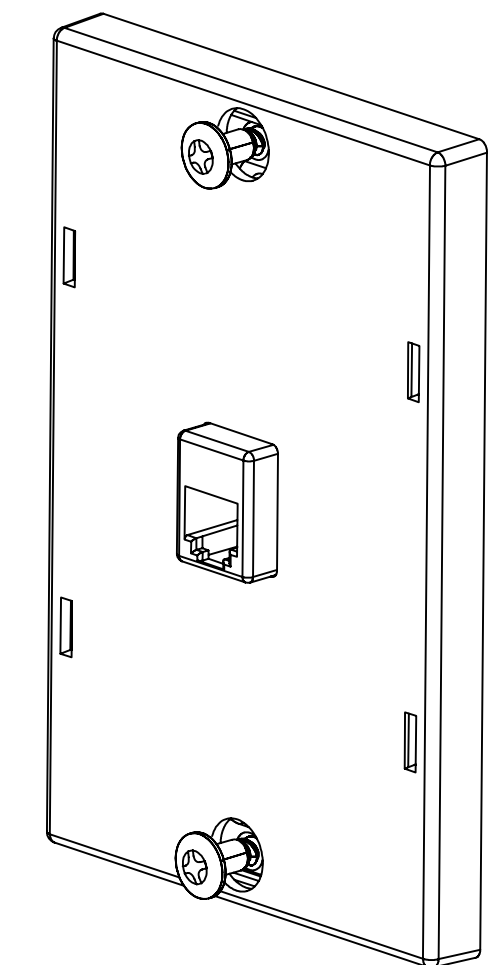
110 TERMINAL TYPE



SCREW TERMINAL



DETAIL D
SCALE 4:1

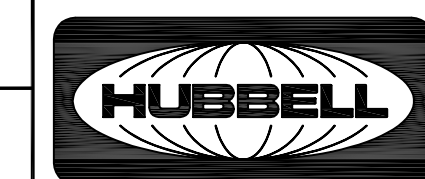


REV.	ECN	DATE	DESCRIPTION	CHG BY	APPD BY
B	6116	06/05/07	ADDED NS725LA	BTM	
A	5813	03/10/06	INITIAL RELEASE	NJR	MMA

Created on AUTOCAD

DIMENSIONING AND TOLERANCE PER
ANSI Y14.5M-1982
UNLESS OTHERWISE SPECIFIED,
DIMENSIONS ARE IN INCHES (MM).
TOLERANCES:
.XX = ±.01 (.25)
.XXX = ±.005 (.127)
.XXXX = ±.0025 (.0635)
ANGLE TOL ±1°

PROJECT REFERENCE:
MATERIAL:
DRAWN BY:
NANCY RICHARDS 03/10/06
CHECKED BY:
M.M. ABBY 03/10/06
APPROVED BY:
M.M. ABBY 03/10/06



Hubbell Premise Wiring
HUBBELL INCORPORATED (Delaware)
14 Lord's Hill Road, Stonington, Connecticut 06378

TITLE:
WALL PHONE MODULE
110 TERMINAL AND SCREW TERMINAL
SIZE: D
DRAWING NO.: CHWS12372
SCALE: 1/1
SHEET 1 OF 1
REV. B