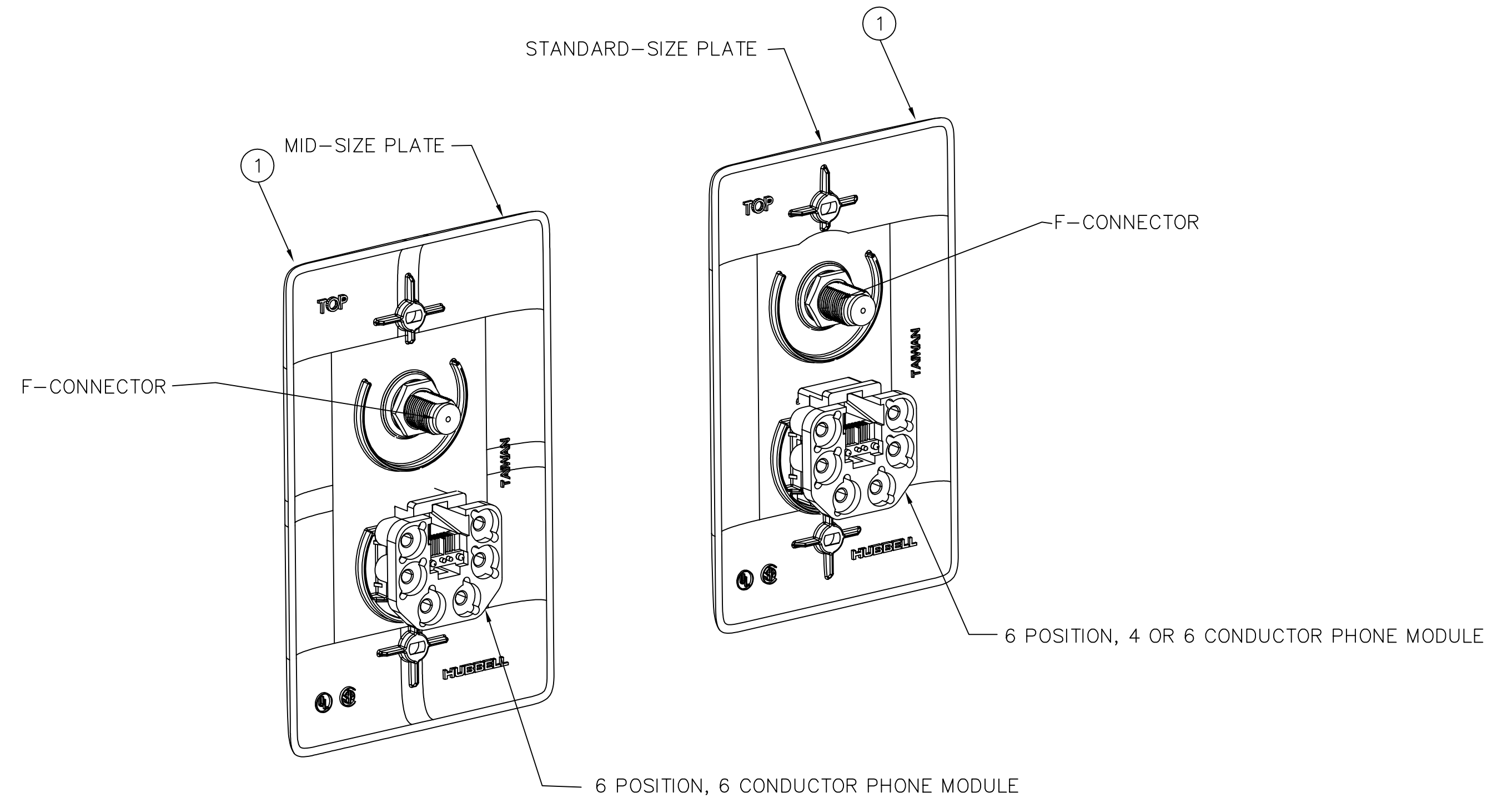
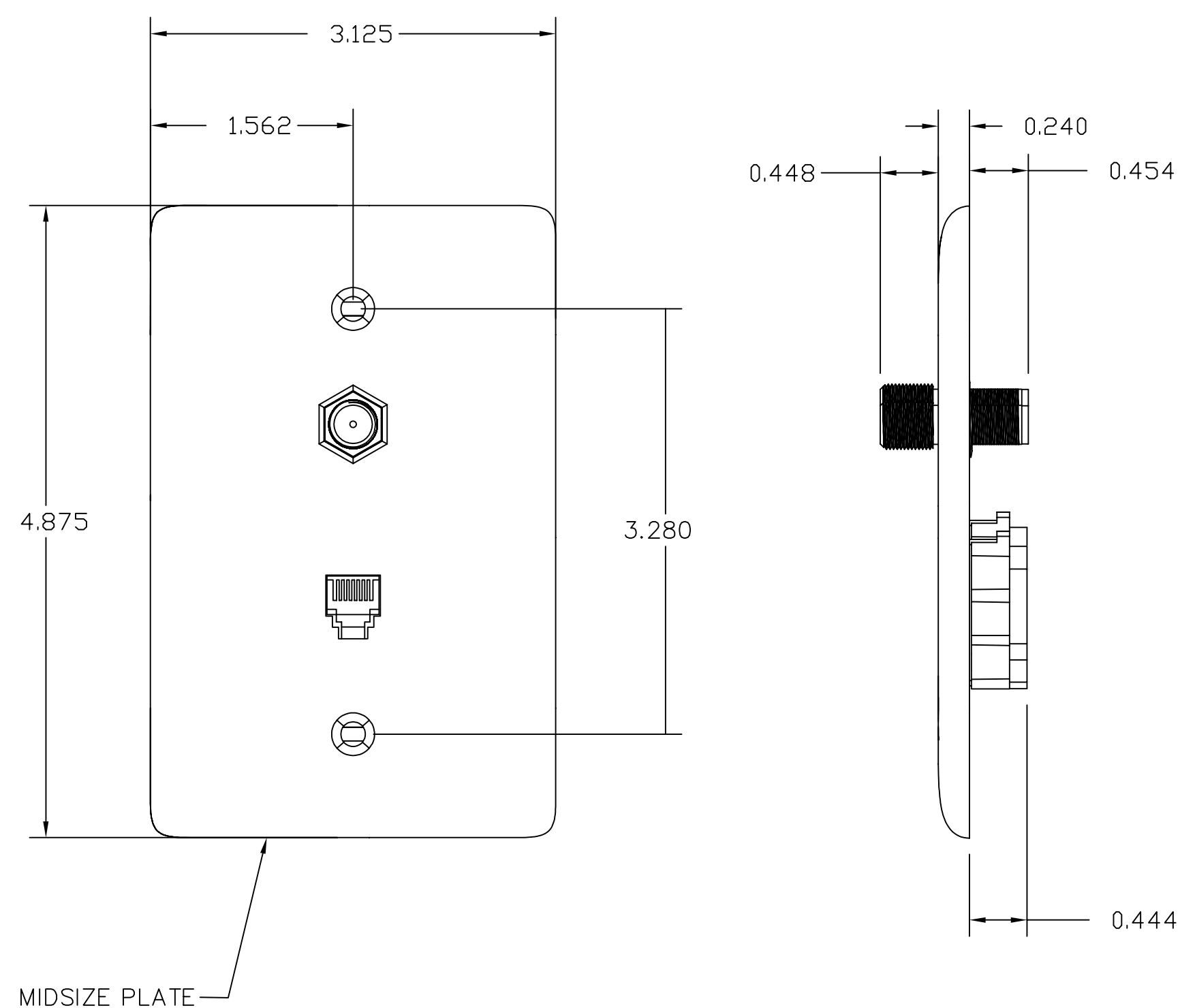
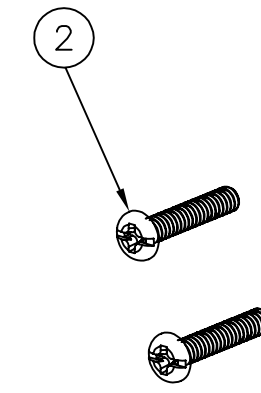


CATALOG NUMBER	COLOR	DESCRIPTION
NS747I	IVORY	STANDARD 6 POSITION, 4 CONDUCTOR & F-CONNECTOR
NS747W	WHITE	STANDARD 6 POSITION, 4 CONDUCTOR & F-CONNECTOR
NS747AL	ALMOND	STANDARD 6 POSITION, 4 CONDUCTOR & F-CONNECTOR
NS747LA	LIGHT ALMOND	STANDARD 6 POSITION, 4 CONDUCTOR & F-CONNECTOR
NS748I	IVORY	STANDARD 6 POSITION, 6 CONDUCTOR & F-CONNECTOR
NS748W	WHITE	STANDARD 6 POSITION, 6 CONDUCTOR & F-CONNECTOR
NS748AL	ALMOND	STANDARD 6 POSITION, 6 CONDUCTOR & F-CONNECTOR
NS748LA	LIGHT ALMOND	STANDARD 6 POSITION, 6 CONDUCTOR & F-CONNECTOR
NS755I	IVORY	MIDSIZE 6 POSITION, 6 CONDUCTOR & F-CONNECTOR
NS755W	WHITE	MIDSIZE 6 POSITION, 6 CONDUCTOR & F-CONNECTOR
NS755AL	ALMOND	MIDSIZE 6 POSITION, 6 CONDUCTOR & F-CONNECTOR
NS755LA	LIGHT ALMOND	MIDSIZE 6 POSITION, 6 CONDUCTOR & F-CONNECTOR

ITEM NO.	DESCRIPTION	QTY.
1	PLATE, (SEE TABULATION)	1
2	SCREW, 6-32 X 1" LG OVAL HEAD MACHINE SCREW	4

**NOTES**  
UNLESS OTHERWISE SPECIFIED:

1. UL LISTED: E129878
2. CSA CERTIFIED: LR 80837
3. SPECIFICATIONS SUBJECT TO CHANGE WITHOUT NOTICE



REV.	ECN	DATE	DESCRIPTION	CHG BY	APPD BY
B	6116	06/05/07	ADDED NS747AL, NS747LA, AND NS748AL	BTM	
A	5813	03/10/06	INITIAL RELEASE	NJR	MMA

Created on AUTOCAD	DIMENSIONING AND TOLERANCE PER ANSI Y14.5M-1982 UNLESS OTHERWISE SPECIFIED, DIMENSIONS ARE IN INCHES (MM). TOLERANCES: .XX = ±.01 (.25) .XXX = ±.005 (.127) .XXXX = ±.0025 (.0635) ANGLE TOL ±1°		PROJECT REFERENCE:	<b>Hubbell Premise Wiring</b> HUBBELL INCORPORATED (Delaware) 14 Lord's Hill Road, Stonington, Connecticut 06378
	IN ACCEPTING OUR DRAWINGS, BLUEPRINTS, OR SUPPORTING DOCUMENTATION FOR QUOTATION OR OTHER PURPOSES, YOU AGREE NOT TO DISCLOSE TO OTHERS THE IDEAS, INFORMATION, OR DESIGNS SHOWN HEREIN, AND THAT YOU WILL MAKE NO USE OF SAME WITHOUT PERMISSION		MATERIAL:	
		DRAWN BY: NANCY RICHARDS 03/10/06		TITLE: NET SELECT WALL PLATE F-CONNECTOR & 6 POSITION, 4 OR 6 CONDUCTOR
		CHECKED BY: N. HERRING 03/10/06		SIZE: DRAWING NO. <b>D CHWS12363</b>
		APPROVED BY: M.M. ABBY 03/10/06		REV. <b>B</b>
		SCALE: 1/1	SHEET 1 OF 1	