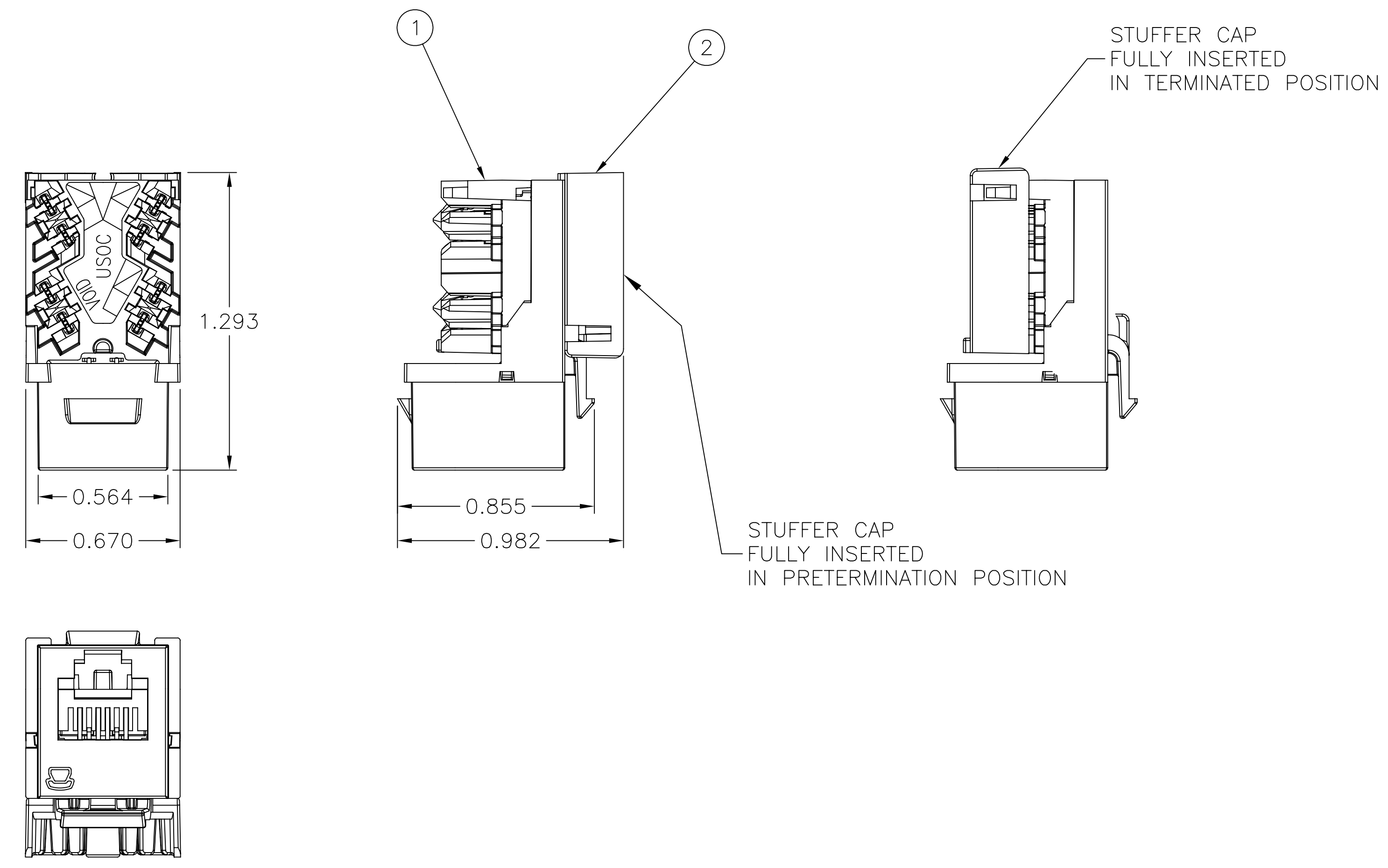
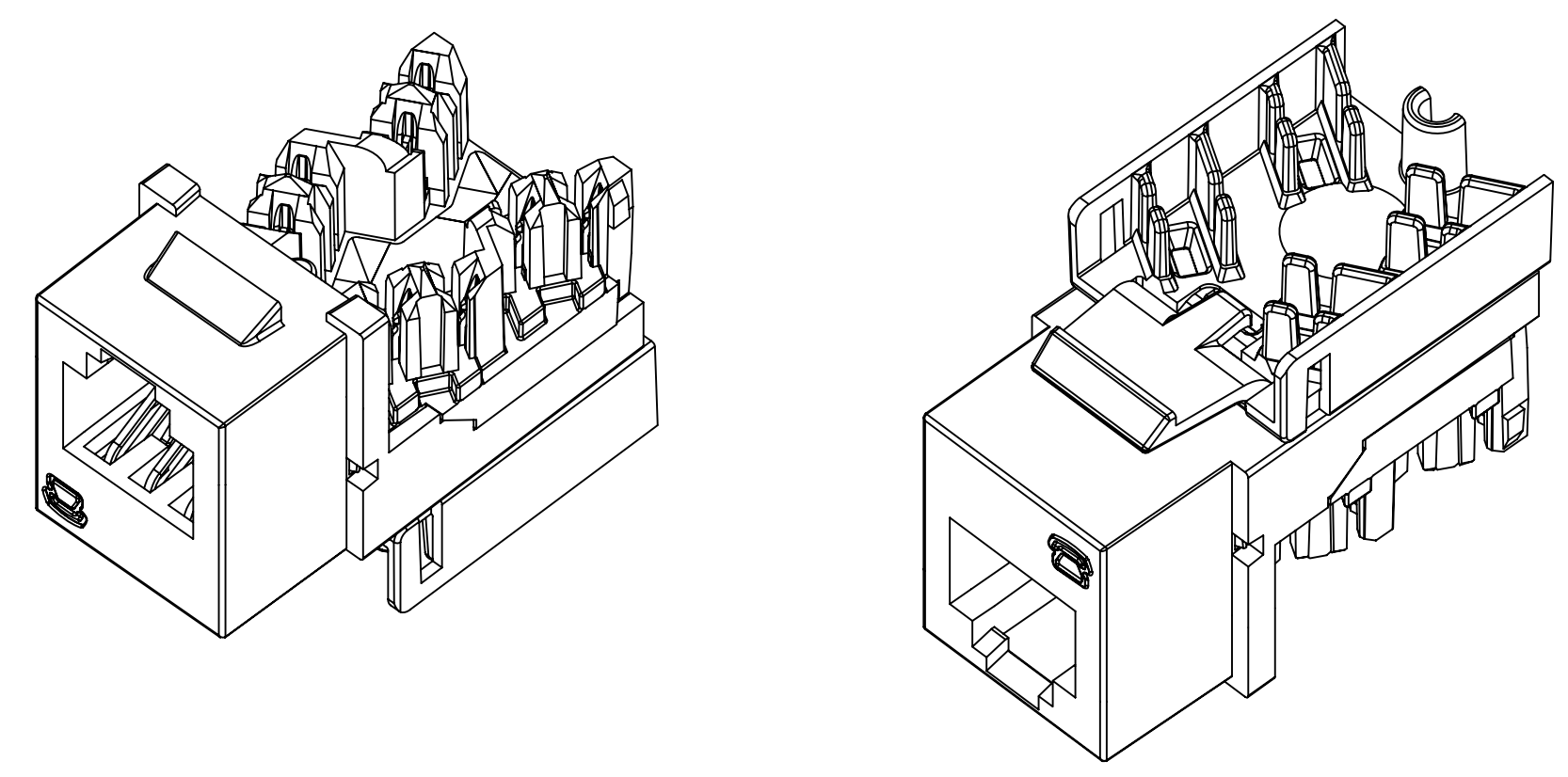


ITEM NO.	DESCRIPTION	QTY.
1	netSELECT NSJ SERIES JACKS	1
2	STUFFER CAP	1

CATALOG NUMBER	COLOR	LASER MARKING
NSJUB	BLUE	NUB
NSJUAL	ALMOND	NUAL
NSJUW	WHITE	NUW
NSJUBK	BLACK	NUBK
NSJUI	ELECTRIC IVORY	NUI
NSJUGY	GRAY	NUGY
NSJUOR	ORANGE	NUOR
NSJUOW	OFFICE WHITE	NUOW
NSJULA	LIGHT ALMOND	NUOW
NSJUGN	GREEN	NUGN
NSJUY	YELLOW	NUY
NSJUR	RED	NUR



- NOTES**
UNLESS OTHERWISE SPECIFIED:
1. UL LISTED: E129878
 2. CSA CERTIFIED: LR 80837
 3. NOSE CONTACTS ARE BERYLLIUM COPPER WITH 50 MICRO INCH GOLD PLATING IN MATING AREA
 4. IDC CONTACTS ARE TIN LEAD PLATED
 5. ALL CONTACTS ARE UNDERPLATED IN NICKEL
 6. SPECIFICATIONS SUBJECT TO CHANGE WITHOUT NOTICE

Created on AUTOCAD

DIMENSIONING AND TOLERANCE PER ANSI Y14.5M-1982 UNLESS OTHERWISE SPECIFIED, DIMENSIONS ARE IN INCHES (MM).
TOLERANCES
.XX = ±.01 (.25)
.XXX = ±.005 (.127)
.XXXX = ±.0025 (.0635)
ANGLE TOL ±1°

PROJECT REFERENCE:

MATERIAL:

DRAWN BY:
N. HERRING 6/29/06

CHECKED BY:

APPROVED BY:

IN ACCEPTING OUR DRAWINGS, BLUEPRINTS, OR SUPPORTING DOCUMENTATION FOR QUOTATION OR OTHER PURPOSES, YOU AGREE NOT TO DISCLOSE TO OTHERS THE IDEAS, INFORMATION, OR DESIGNS SHOWN HEREIN, AND THAT YOU WILL MAKE NO USE OF SAME WITHOUT PERMISSION

HUBBELL Hubbell Premise Wiring
HUBBELL INCORPORATED (Delaware)
14 Lord's Hill Road, Stonington, Connecticut 06378

TITLE:
netSELECT
NSJU SERIES JACKS
(6 POSITION)

SIZE: C DRAWING NO. HWS12234C REV. D

SCALE: 2/1 SHEET 1 OF 1

REV.	ECN	DATE	DESCRIPTION	CHG BY	APPD BY
D	6058	02/12/07	ADDED GREEN, YELLOW AND RED VERSION	MMA	