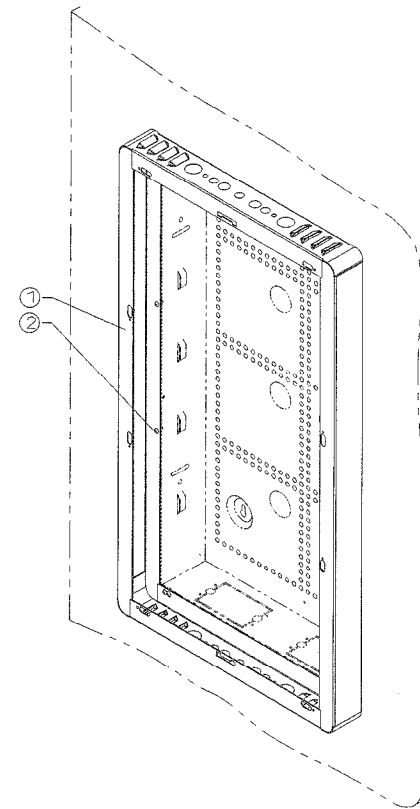
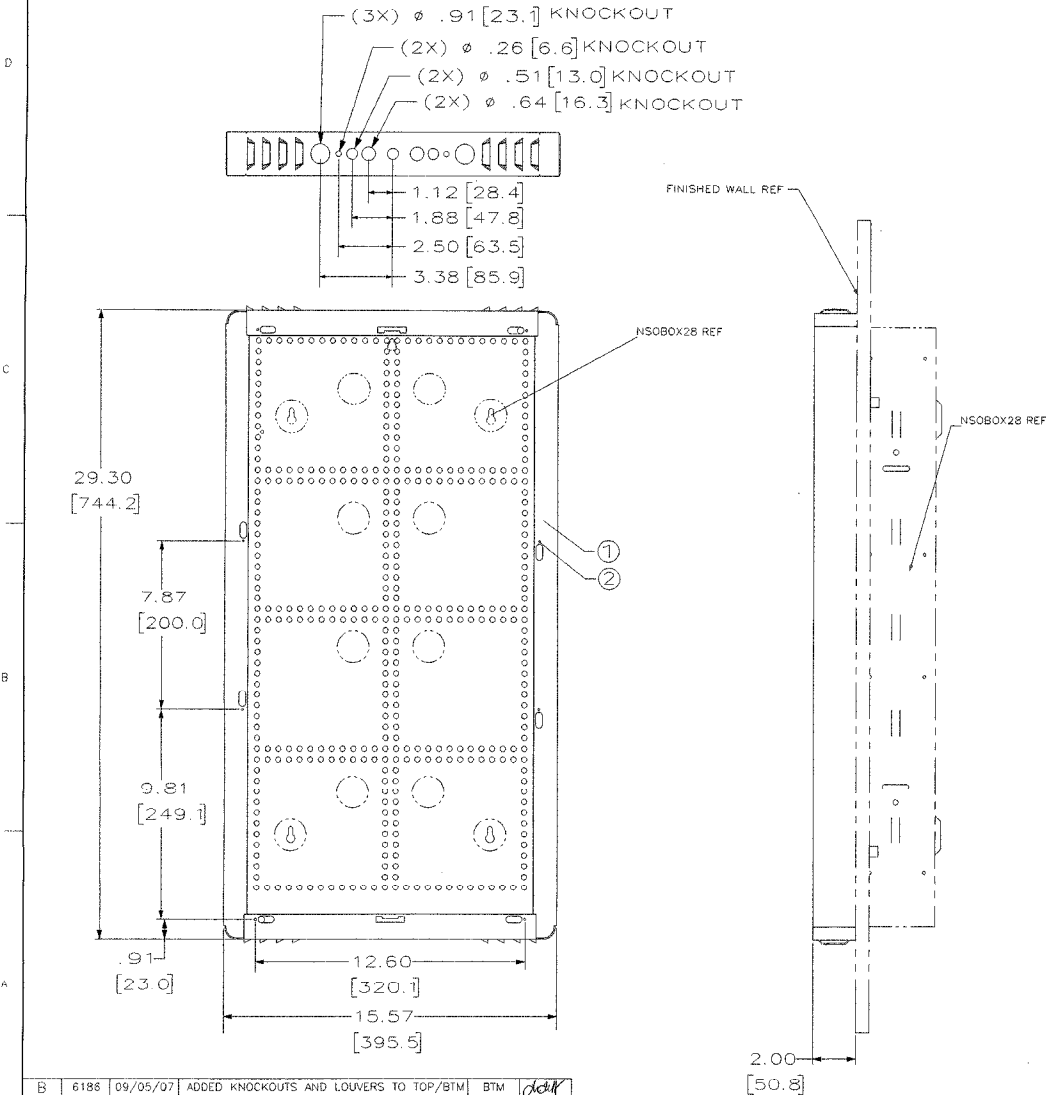


ITEM NO.	DESCRIPTION	QTY
1	FRAME	1
2	6-32 X 0.375 SCREW	N
3	INSTRUCTION SHEET (NOT SHOWN)	1

ITEM NO.	DESCRIPTION	DIMENSION	"N"
NSOBOX28X2	2" EXTENSION BRACKET 28" SOHO_BOX	29.30 [744.2]	8
NSOBOX14X2	2" EXTENSION BRACKET 14" SOHO_BOX	15.50 [398.6]	4



MASTER

NOTES:

- SPECIFICATIONS SUBJECT TO CHANGE WITHOUT NOTICE.
- COMPATIBLE WITH NSOBOX SERIES PRODUCTS.
- SURFACE FINISH: WHITE POWDER COAT.

REV.	EQH	DATE	DESCRIPTION	CHG BY	APPD BY
B	6188	09/05/07	ADDED KNOCKOUTS AND LOUVERS TO TOP/BTM	BTM	<i>detk</i>
A	6076	06/12/07	INITIAL RELEASE	BTM	MMA

<small> DIMENSIONING AND TOLERANCE PER ANSI Y14.5M-1982 UNLESS OTHERWISE SPECIFIED. DIMENSIONS ARE IN INCHES (MM). TOLERANCES: X = ±.03 (0.8) Y = ±.02 (.5) Z = ±.010 (.25) ANGLE TOL .1° </small>	<small>PROJECT REFERENCE:</small> PIF 2007-017	Hubbell Premise Wiring HUBBELL INCORPORATED (Delaware) 14 Lord's Hill Road, Storington, Connecticut 06378
	<small> MATERIAL: EXT BRKT: 18 GAGE COLD ROLLED STEEL POLYESTER WHITE TEXTURE </small>	
<small> IN ACCEPTING OUR DRAWINGS, BLUEPRINTS, OR SUPPORTING DOCUMENTATION FOR QUOTATION OR OTHER PURPOSES, YOU AGREE NOT TO DISCLOSE TO OTHERS THE IDEAS, INFORMATION, OR DESIGNS SHOWN HEREIN, AND THAT YOU WILL MAKE NO USE OF SAME WITHOUT PERMISSION. </small>	<small> DRAWN BY: B MARTINO 06/12/07 </small>	<small> SIZE DRAWING NO. D HWS12528C </small>
<small> CHECKED BY: N HERRING </small>	<small> APPROVED BY: M M. ABBEY </small>	<small> SCALE: N/A SHEET 1 OF 1 </small>