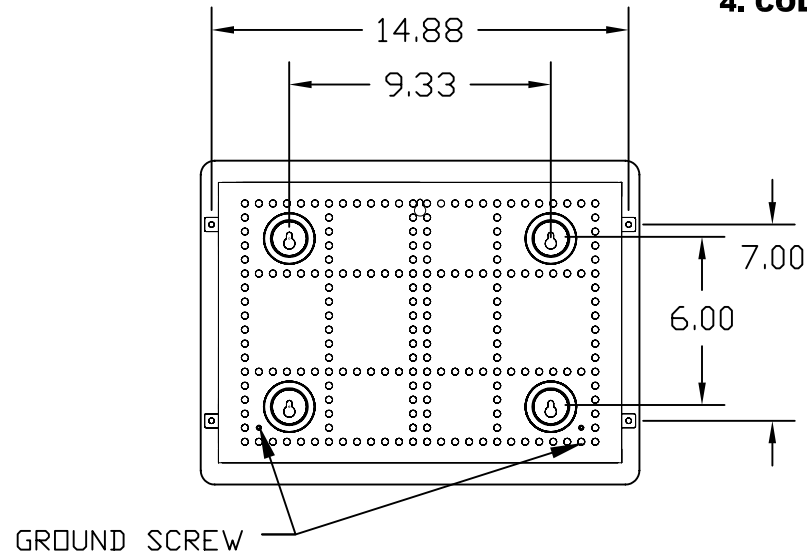
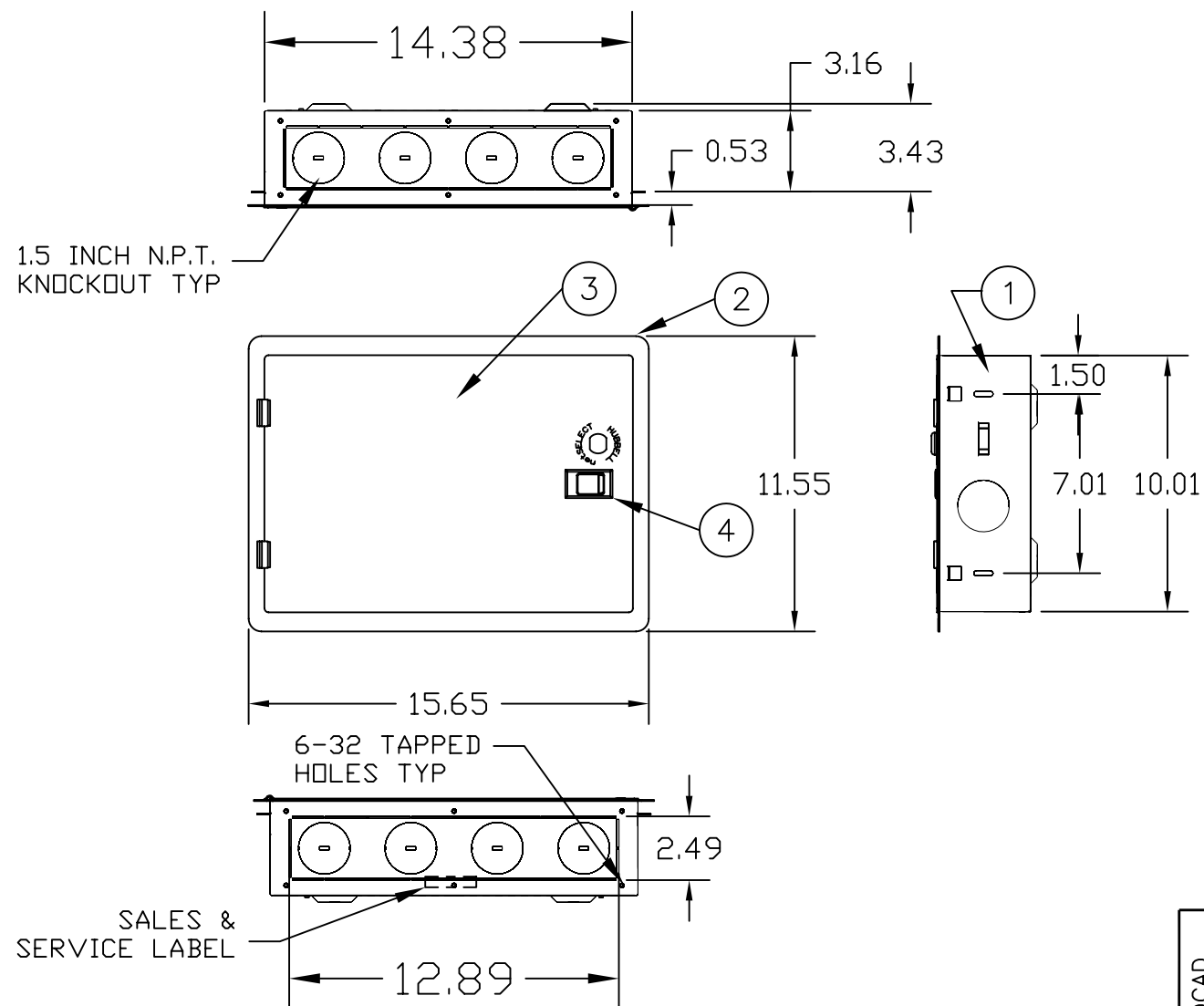
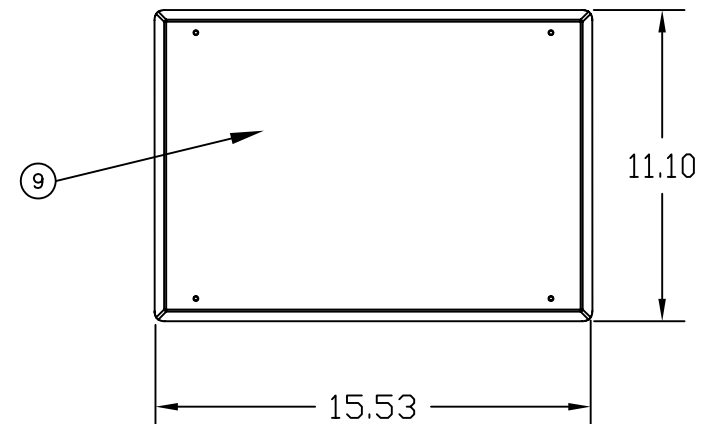



CATALOG NUMBER	DESCRIPTION	ITEM 1 BASE BOX	ITEM 2 DOOR FRAME	ITEM 3 DOOR	ITEM 4 LATCH	ITEM 5 MNTG SCREWS	ITEM 6 NYLATCH PIN	ITEM 7 NETWORK LABEL	ITEM 8 PANEL COVER
NSOBX10	10" NETWORK BOX WITH SWING DOOR	YES	YES	YES	YES	YES	YES	YES	NO
NSOBX10B	10" NETWORK BOX BASE ONLY	YES	NO	NO	NO	YES	YES	NO	NO
NSOBX10BC	10" NETWORK BOX WITH COVER	YES	NO	NO	NO	YES	YES	YES	YES
NSOBX10C	10" NETWORK BOX, COVER ONLY	NO	NO	NO	NO	YES	NO	YES	NO
NSOBX10D	10" NETWORK BOX, SWING DOOR ONLY	NO	YES	YES	YES	YES	NO	YES	NO



NOTES:
1. SPECIFICATIONS SUBJECT TO CHANGE WITHOUT NOTICE.
2. COMPATIBLE WITH NSOBX10 SERIES PRODUCTS.
3. ITEMS 5,6,7, AND 8 NOT SHOWN.
4. COLOR: WHITE



B	6362	04/28/08	UPDATED MATERIAL	BTM	
REV.	ECN	DATE	DESCRIPTION	CHG BY	APPD BY

Created on AUTOCAD	DIMENSIONING AND TOLERANCE PER ANSI Y14.5M-1982 UNLESS OTHERWISE SPECIFIED, DIMENSIONS ARE IN INCHES (MM). TOLERANCES .XX = ±.01 (.25) .XXX = ±.005 (.127) .XXXX = ±.0025 (.0635) ANGLE TOL ±1°		PROJECT REFERENCE: 2007-017		 Hubbell Premise Wiring HUBBELL INCORPORATED (Delaware) 14 Lord's Hill Road, Stonington, Connecticut 06378
	IN ACCEPTING OUR DRAWINGS, BLUEPRINTS, OR SUPPORTING DOCUMENTATION FOR QUOTATION OR OTHER PURPOSES, YOU AGREE NOT TO DISCLOSE TO OTHERS THE IDEAS, INFORMATION, OR DESIGNS SHOWN HEREIN, AND THAT YOU WILL MAKE NO USE OF SAME WITHOUT PERMISSION		MATERIAL: BASE 20Ga STEEL DOOR 18 Ga. STEEL		
			DRAWN BY: B MARTINO 08/06/07		TITLE: 10" SOHO NETWORK BOX BASE, SWING DOOR, AND COVER
			CHECKED BY:		SIZE B DRAWING NO. HWS12554C REV. B
		APPROVED BY:		SCALE: .25/1 SHEET 1 OF 1	