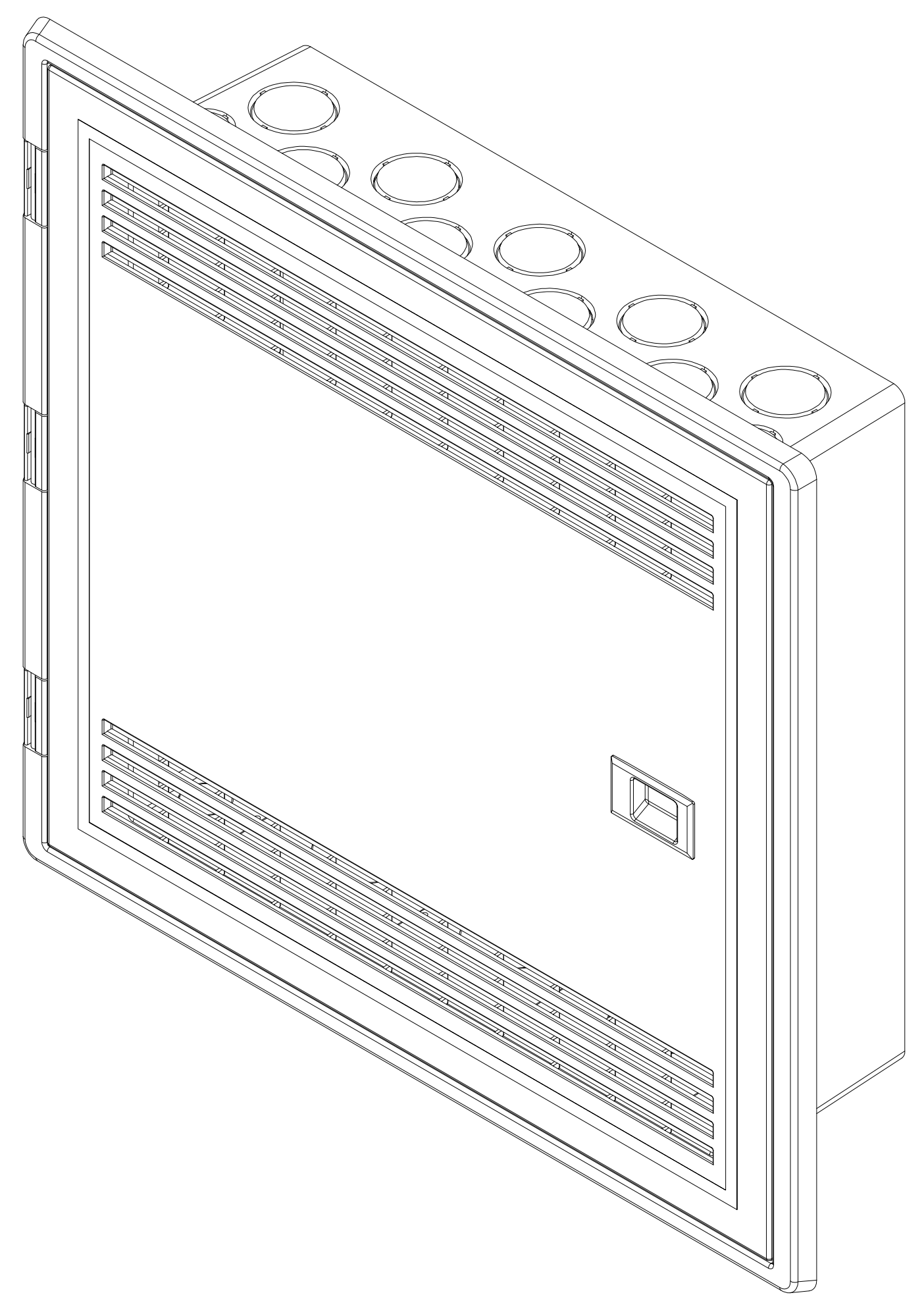
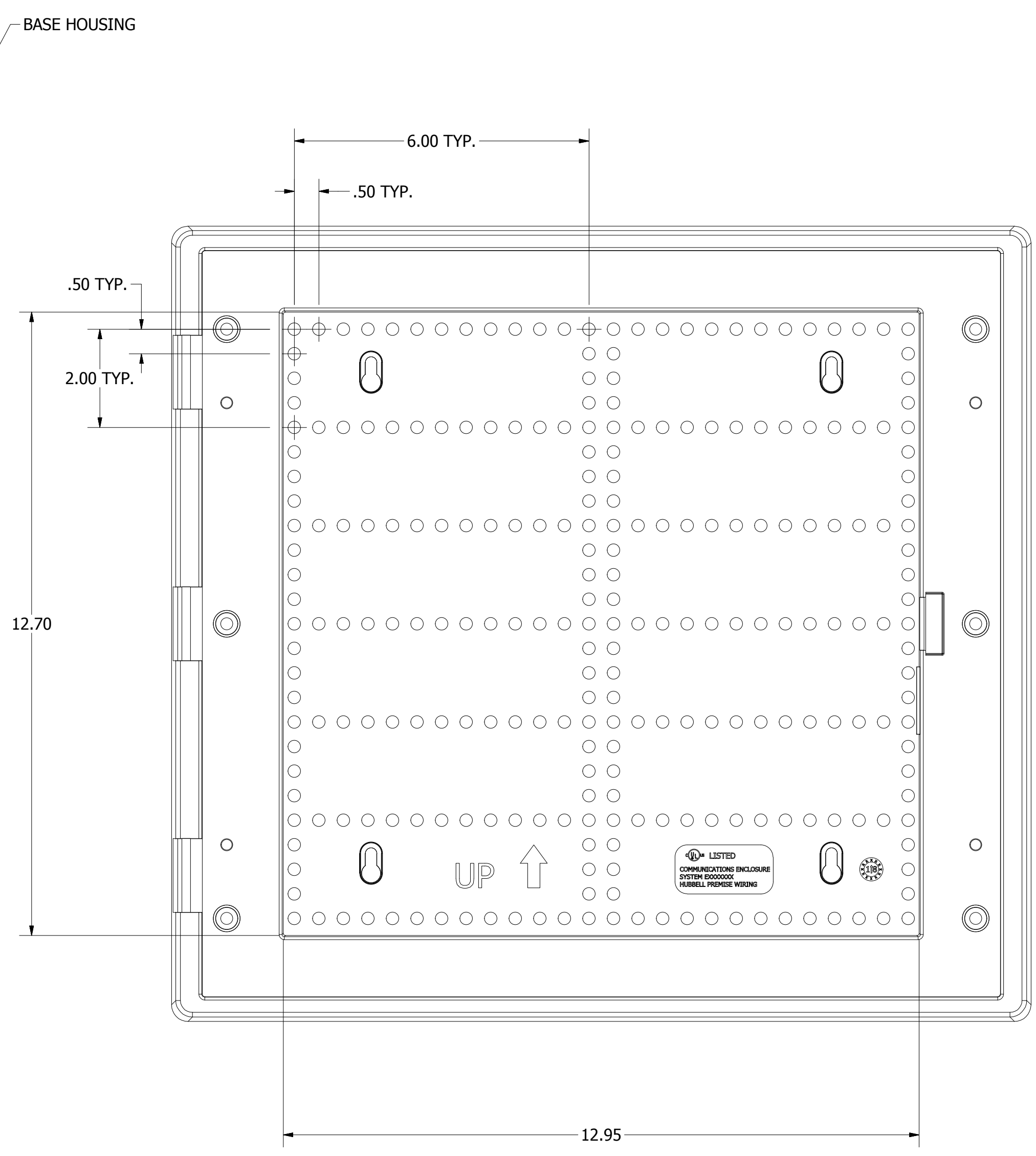
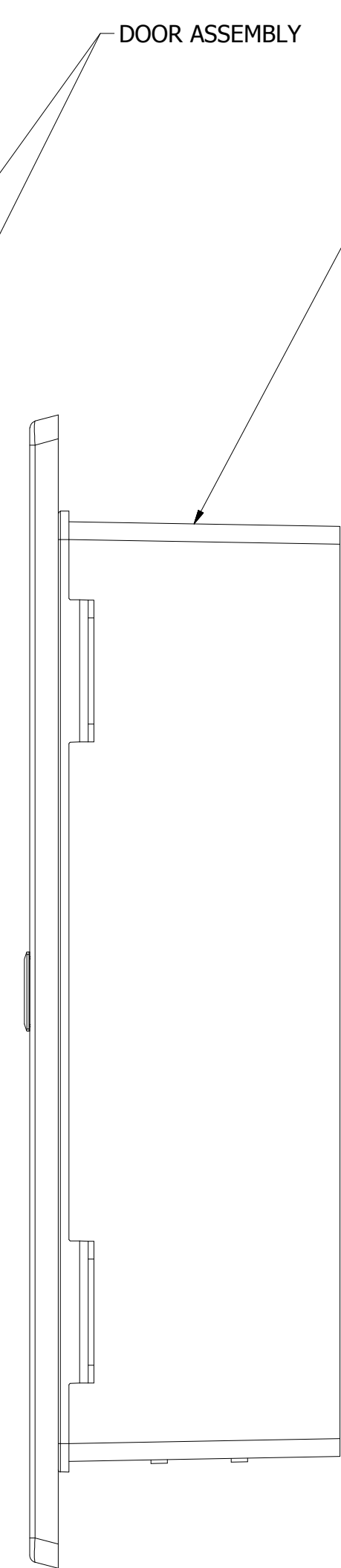
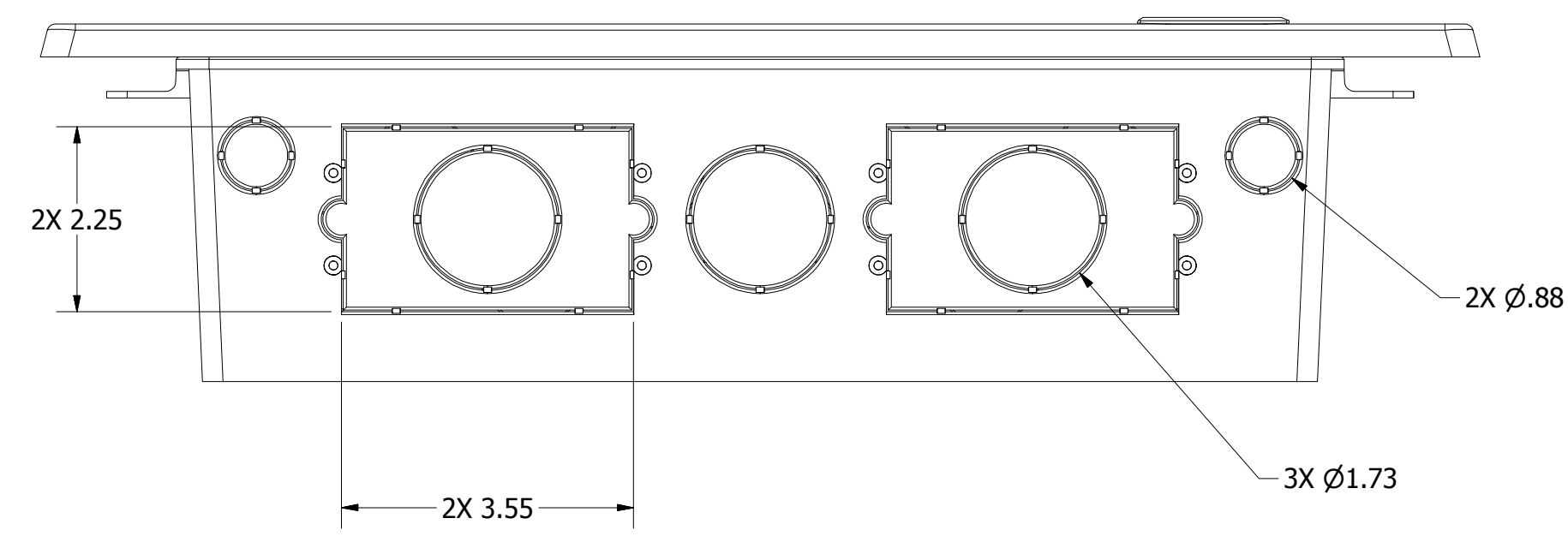
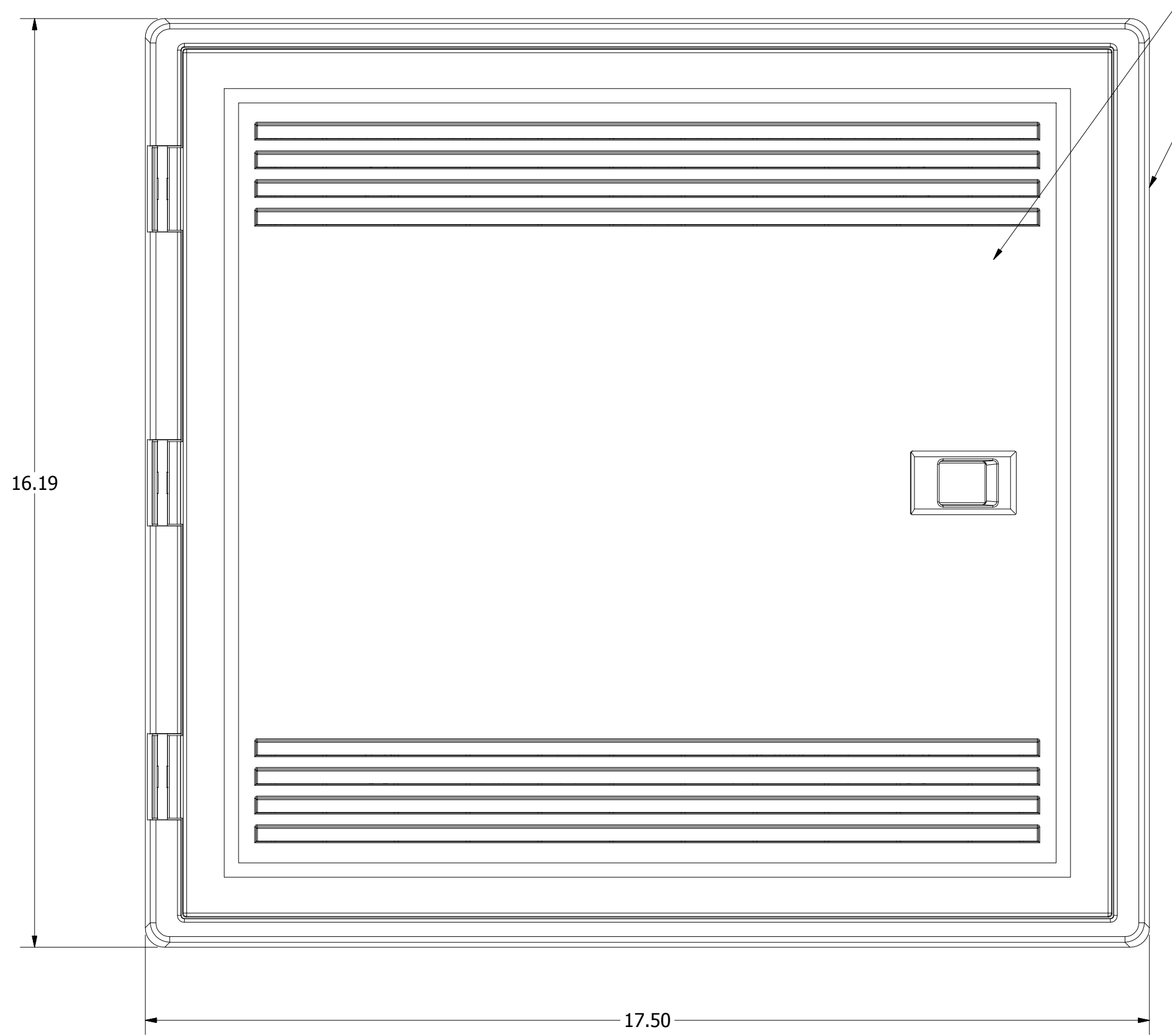
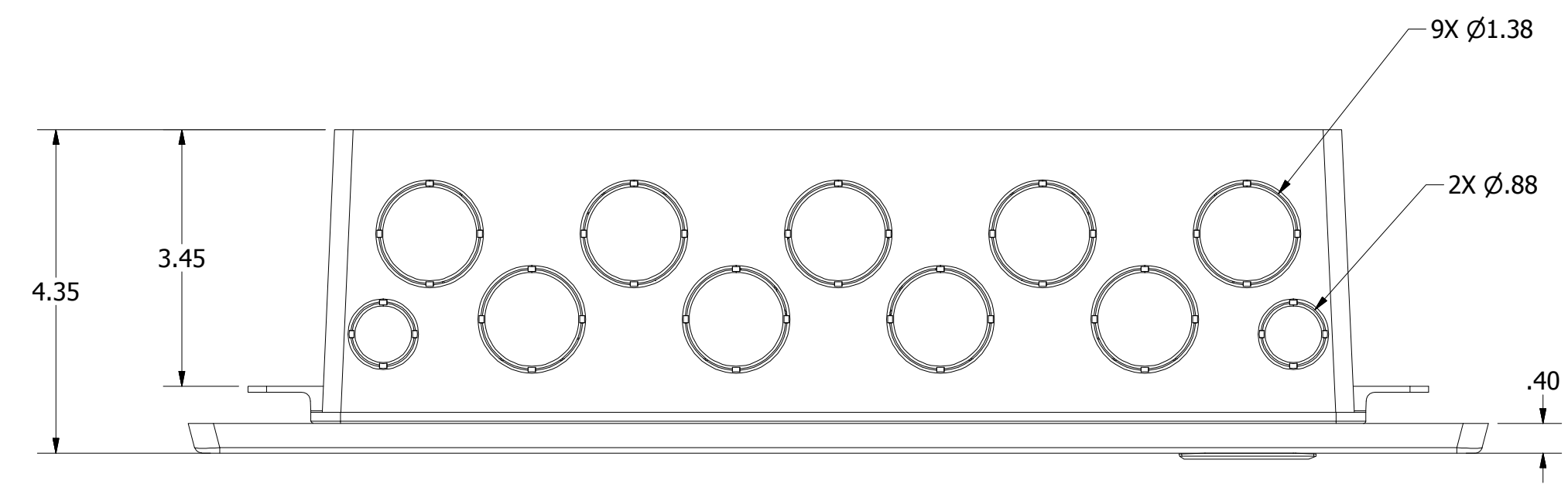


CATALOG	DESCRIPTION
NSOBXP14	14" NETWORK ENCLOSURE, COMPLETE KIT
NSOBXP14B	14" NETWORK ENCLOSURE, BASE HOUSING
NSOBXP14D	14" NETWORK ENCLOSURE, DOOR ASSEMBLY



- NOTES:
1. MATERIAL: FLAME RETARDANT ABS PLASTIC.
 2. PRODUCT CONTAINS HARDWARE PACK AND INSTRUCTIONS.
 3. OPTIONAL LOCK K.O. INCLUDED ON DOOR. USE HUBBELL LOCK P/N FLOCK1.
 4. SPECIFICATIONS SUBJECT TO CHANGE WITHOUT NOTICE.

REV.	ECN	DATE	DESCRIPTION	CHG BY	APPD BY
1	22610	5/14/18	INITIAL RELEASE	DPO	MMA

Created on INVENTOR

DIMENSIONING AND TOLERANCE PER ANSI Y14.5M-1982 UNLESS OTHERWISE SPECIFIED, DIMENSIONS ARE IN INCHES (MM). TOLERANCES: XX = ±.01 (.25) .XXX = ±.005 (.127) .XXXX = ±.0025 (.0635) ANGLE TOL ±1°

IN ACCEPTING OUR DRAWINGS, BLUEPRINTS, OR SUPPORTING DOCUMENTATION FOR QUOTATION OR OTHER PURPOSES, YOU AGREE NOT TO DISCLOSE TO OTHERS THE IDEAS, INFORMATION, OR DESIGNS SHOWN HEREIN, AND THAT YOU WILL MAKE NO USE OF SAME WITHOUT PERMISSION

PROJECT REFERENCE:
NPD-01729

MATERIAL:
ABS

DRAWN BY:
D.O'CONNOR 5/14/18

CHECKED BY:

APPROVED BY:

HUBBELL Hubbell Premise Wiring
HUBBELL INCORPORATED (Delaware)
23 CLARA DRIVE, SUITE 103 MYSTIC, CT 06355

TITLE:
14" NETWORK ENCLOSURE

SIZE DRAWING NO. REV.
D HWS14747C **1**

SCALE: SHEET 1 OF 1