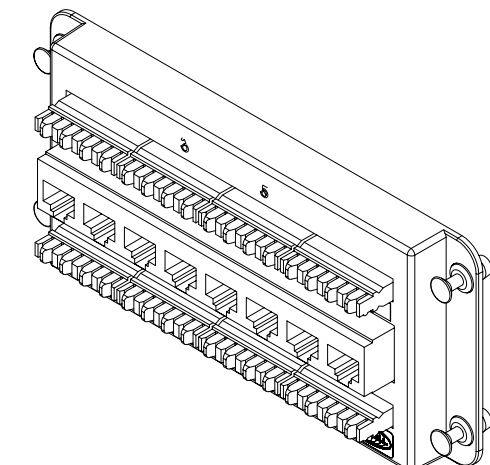
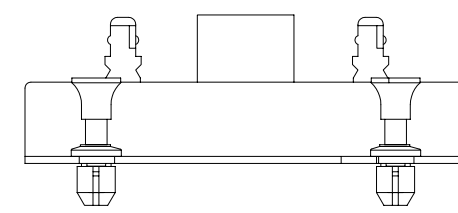
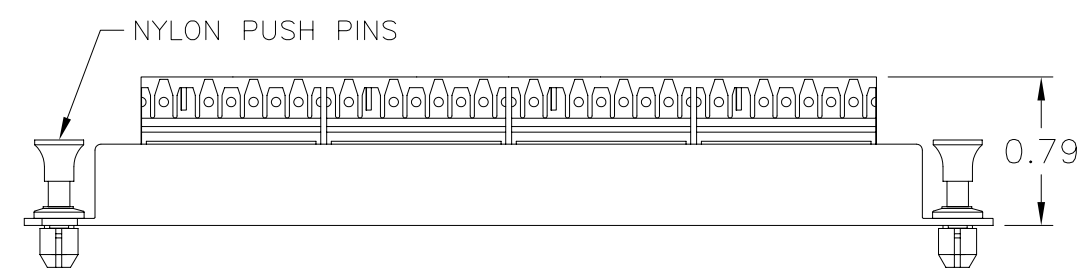
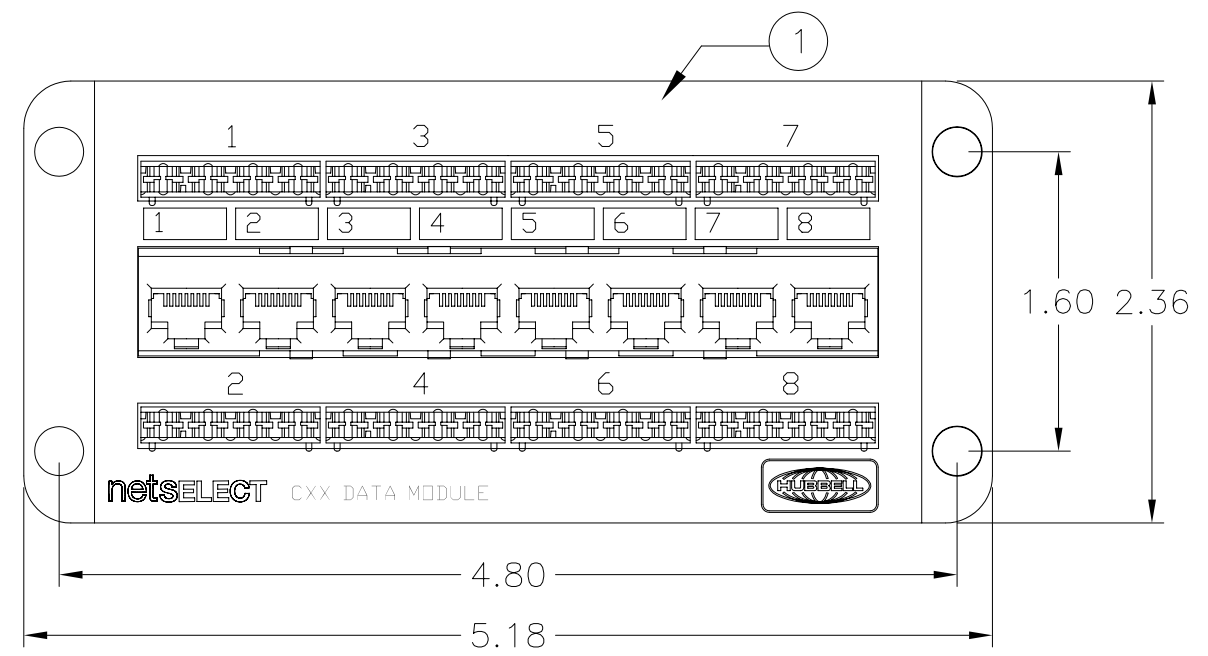
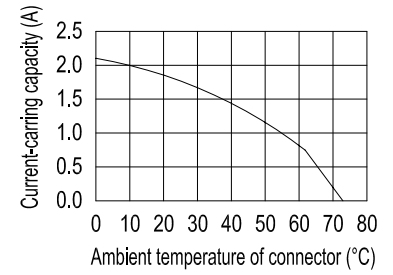


ITEM NO.	DESCRIPTION	QTY.	CATALOG NUMBER	DESCRIPTION
1	8 PORT DATA NETWORK MODULE	1	NSODM8	8 PORT CAT 5e+ DATA NETWORK MODULE
2	INSTRUCTION SHEET (NOT SHOWN)	1	NSODM8C6	8 PORT CAT 6 DATA NETWORK MODULE




NOTES:

- FCC PART 68 COMPLIANT
- TIA 568-A WIRED
- TRANSMISSION PERFORMANCE:  
 NSODM8:  
 ATTENUATION: PER CONNECTING HARDWARE REQUIREMENT OF TIA/EIA-568-B.2 CAT.5E  
 RETURN LOSS: PER REQUIREMENTS OF TIA/EIA-568-B.2 CAT.5E  
 NEXT: PER REQUIREMENTS OF TIA/EIA-568-B.2 CAT.5E  
 TRANSFER IMPEDANCE: PER REQUIREMENTS OF TIA/EIA-568-B.2 CAT.5E  
 NSODM8C6:  
 ATTENUATION: PER CONNECTING HARDWARE REQUIREMENT OF TIA/EIA-568-B.2 CAT.6  
 RETURN LOSS: PER REQUIREMENTS OF TIA/EIA-568-B.2 CAT.6  
 NEXT: PER REQUIREMENTS OF TIA/EIA-568-B.2 CAT.6  
 TRANSFER IMPEDANCE: PER REQUIREMENTS OF TIA/EIA-568-B.2 CAT.6
- ENVIRONMENTAL CONDITIONS  
 TEMPERATURE RANGE  
 STORAGE -40 TO +70°C  
 OPERATION -10 TO +60°C  
 RELATIVE HUMIDITY (OPERATIONAL):  
 MAXIMUM NONCONDENSING 93%
- ELECTRICAL  
 ELECTRICAL INSULATION RESISTANCE:  
 500 MΩ MIN. @ 100V D.C  
 DIELECTRIC WITHSTANDING VOLTAGE:  
 1000V D.C OR A.C. PEAK CONTACT @ 60HZ FOR 1 MINUTE  
 SPRING WIRE CONTACT RESISTANCE: 20 MΩ MAX.  
 IDC CONTACT RESISTANCE: 2.5 MΩ MAX.  
 CURRENT RATING: AS FIGURE.
- COLOR: BLACK WITH WHITE SILK-SCREEN.
- SPECIFICATIONS SUBJECT TO CHANGE WITHOUT NOTICE.



REV.	ECN	DATE	DESCRIPTION	CHG BY	APPD BY
A	6270	01/24/08	INITIAL RELEASE	BTM	

Created on AUTOCAD	DIMENSIONING AND TOLERANCE PER ANSI Y14.5M-1982 UNLESS OTHERWISE SPECIFIED, DIMENSIONS ARE IN INCHES (MM). TOLERANCES .XX = ±.01 (.25) .XXX = ±.005 (.127) .XXXX = ±.0025 (.0635) ANGLE TOL ±1°		PROJECT REFERENCE: 2008-009		 <b>Hubbell Premise Wiring</b> HUBBELL INCORPORATED (Delaware) 14 Lord's Hill Road, Stonington, Connecticut 06378
	IN ACCEPTING OUR DRAWINGS, BLUEPRINTS, OR SUPPORTING DOCUMENTATION FOR QUOTATION OR OTHER PURPOSES, YOU AGREE NOT TO DISCLOSE TO OTHERS THE IDEAS, INFORMATION, OR DESIGNS SHOWN HEREIN, AND THAT YOU WILL MAKE NO USE OF SAME WITHOUT PERMISSION		MATERIAL: BRACKET: ABS PLASTIC UL 94-V0		
			DRAWN BY: B MARTINO 01/24/08		SIZE: <b>B</b>
			CHECKED BY:		DRAWING NO.: <b>HWS12635C</b>
		APPROVED BY:		SCALE: <b>N/A</b>	
				SHEET <b>1</b> OF <b>1</b>	
				REV. <b>A</b>	