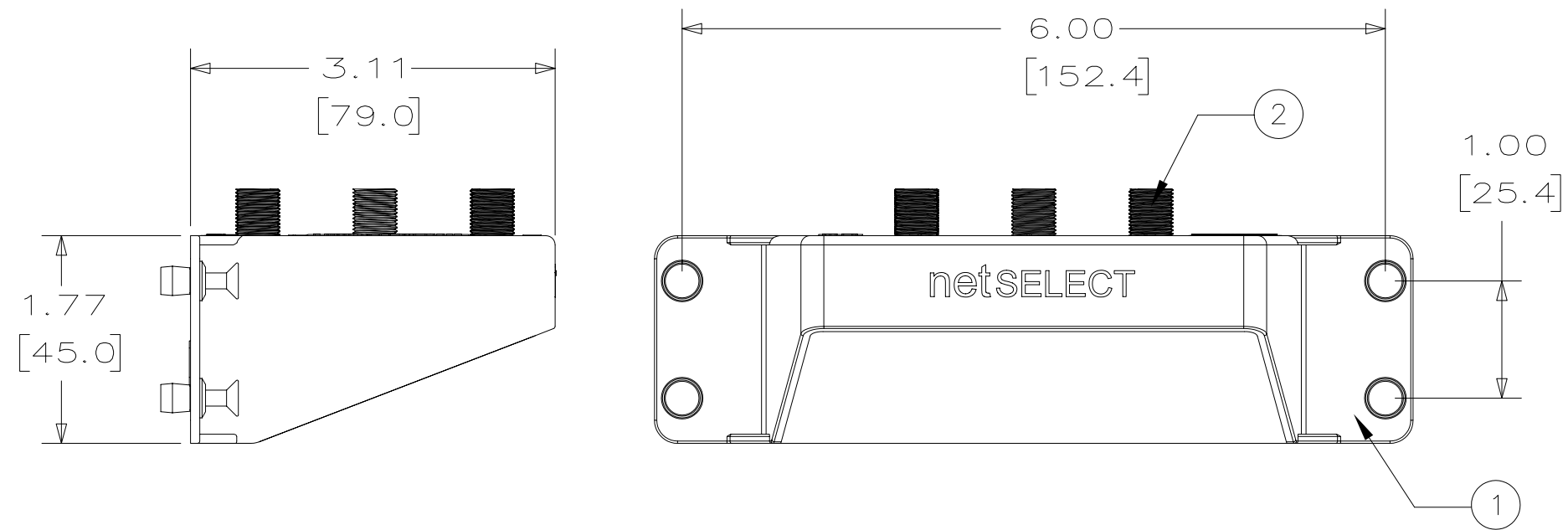
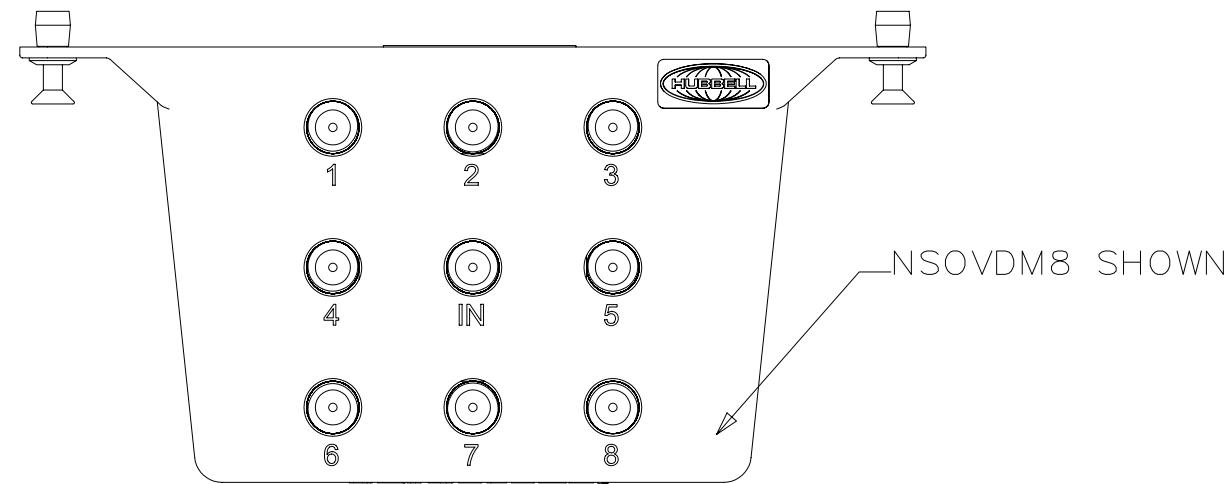


ITEM NO.	DESCRIPTION	QTY
1	BASE	1
2	VIDEO SPLITTER T STYLE	1
3	INSTRUCTION SHEET (NOT SHOWN)	1

CATALOG NUMBER	DESCRIPTION
NSOVM4	4-WAY SPLITTER 1GHz
NSOVM42G	4-WAY SPLITTER 2.3GHz
NSOVM6	6-WAY SPLITTER 1GHz
NSOVM62G	6-WAY SPLITTER 2.3GHz
NSOVM8	8-WAY SPLITTER 1GHz
NSOVM82G	8-WAY SPLITTER 2.3GHz



NOTES:

1. MATERIAL:

BASE: BLACK ABS UL 94-V0 WITH WHITE SILK-SCREEN

VIDEO SPLITTERS: POTTED METALLIC BODY

2. SPECIFICATIONS SUBJECT TO CHANGE WITHOUT NOTICE.

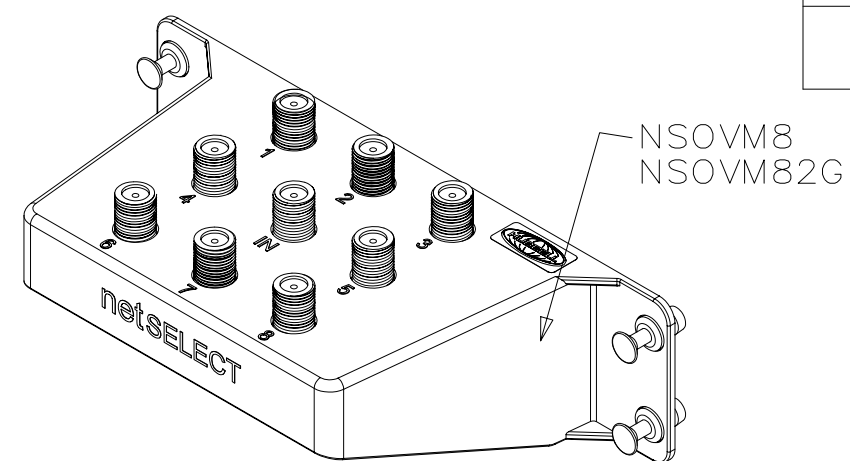
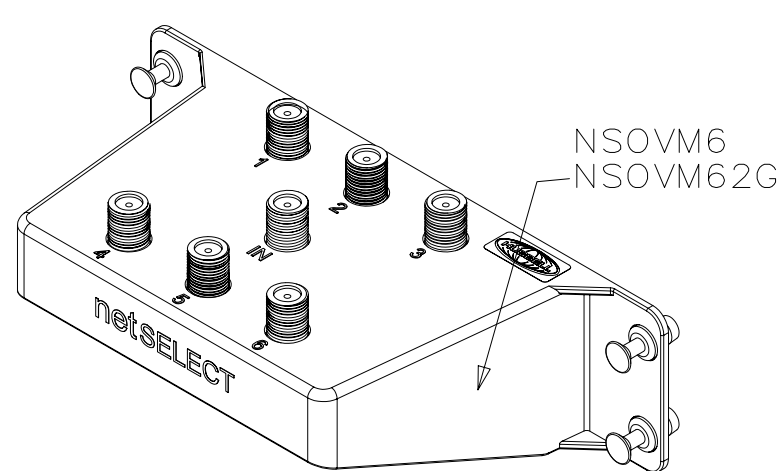
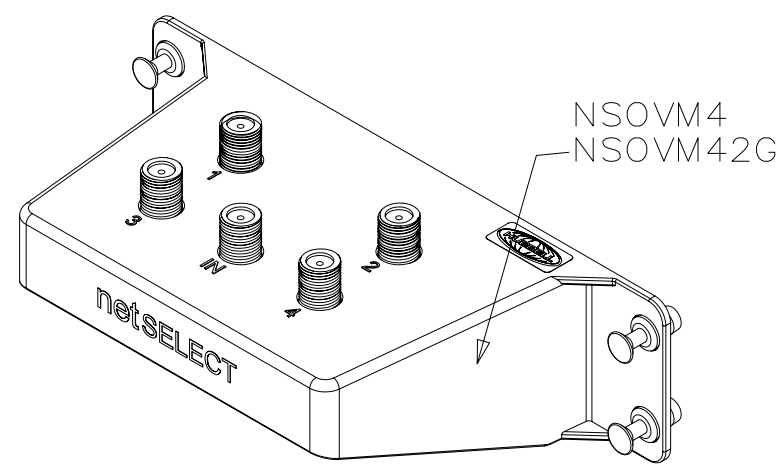
3. ELECTRICAL SPECIFICATIONS:

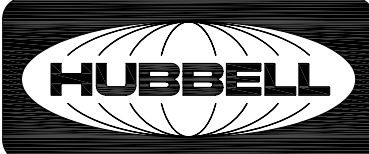
NSOVM4, NSOVM6, NSOVM8:

BANDWIDTH MHZ	5-47	47-470	470-750	750-1000
INSERTION LOSS IN-OUT (dB MAX)	7	7.5	8	8.1
RETURN LOSS INPUT (dB MIN)	18	18	18	18
RETURN LOSS OUTPUT (dB MIN)	20	20	20	20
ISOLATION OUT-OUT (dB MIN)	24	24	24	24

NSOVM42G, NSOVM62G, NSOVM82G:

BANDWIDTH MHZ	5-47	47-1000	1000-2050	2050-2300
INSERTION LOSS IN-OUT (dB MAX)	12.5	13.5	17.5	18.5
RETURN LOSS INPUT (dB MIN)	10	10	10	10
RETURN LOSS OUTPUT (dB MIN)	8	10	10	10
ISOLATION OUT-OUT (dB MIN)	20	20	20	20



Created on AUTOCAD	DIMENSIONING AND TOLERANCE PER ANSI Y14.5M-1982 UNLESS OTHERWISE SPECIFIED, DIMENSIONS ARE IN INCHES (MM). TOLERANCES .XX = ±.01 (.25) .XXX = ±.005 (.127) .XXXX = ±.0025 (.0635) ANGLE TOL ±1°		PROJECT REFERENCE: <b>2008-009</b>		 <b>Hubbell Premise Wiring</b> HUBBELL INCORPORATED (Delaware) 14 Lord's Hill Road, Stonington, Connecticut 06378
	IN ACCEPTING OUR DRAWINGS, BLUEPRINTS, OR SUPPORTING DOCUMENTATION FOR QUOTATION OR OTHER PURPOSES, YOU AGREE NOT TO DISCLOSE TO OTHERS THE IDEAS, INFORMATION, OR DESIGNS SHOWN HEREIN, AND THAT YOU WILL MAKE NO USE OF SAME WITHOUT PERMISSION		MATERIAL: SEE NOTES		
			DRAWN BY: B MARTINO 01/28/08		
			CHECKED BY:		
		APPROVED BY:		TITLE: netSELECT VIDEO SPLITTER MODULE KITS	
				SIZE: <b>C</b>	DRAWING NO.: <b>HWS12641C</b>
				SCALE: <b>NTS</b> SHEET <b>1</b> OF <b>1</b>	

REV.	ECN	DATE	DESCRIPTION	CHG BY	APPD BY
A	6270	01/28/08	INITIAL RELEASE	BTM	