

REPAIRABLE

NON-REPAIRABLE

B

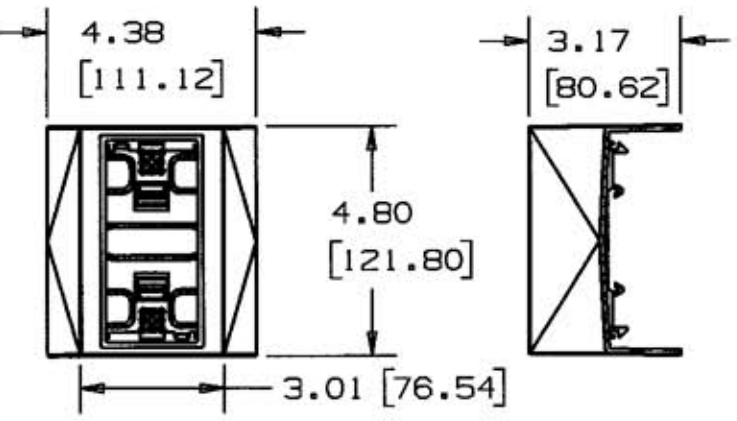
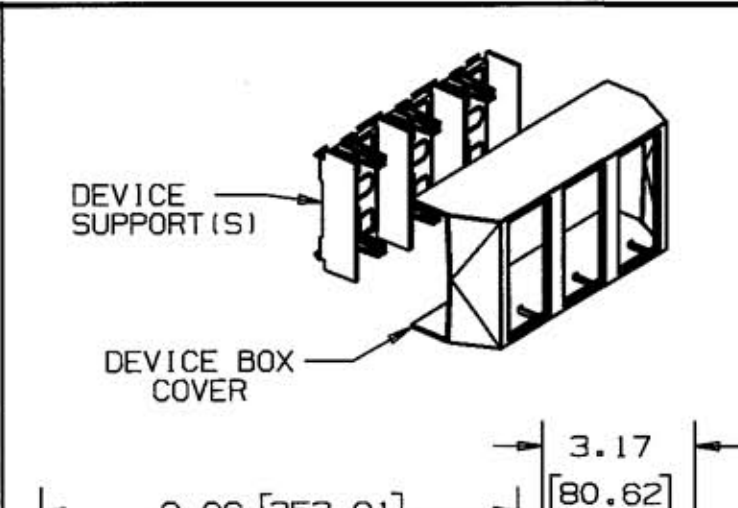
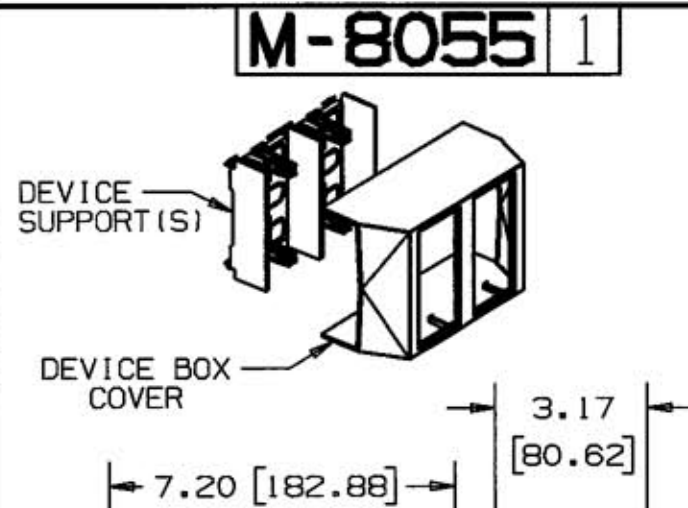
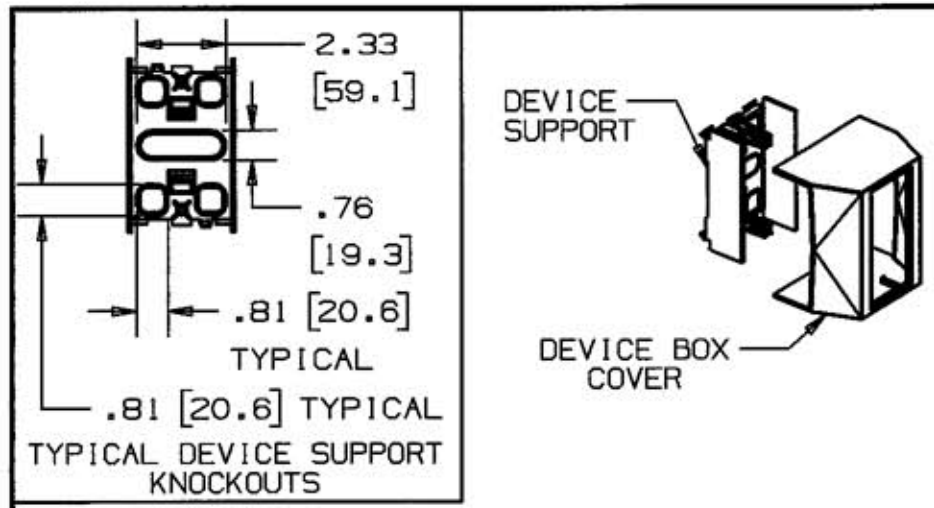
M-8055

1

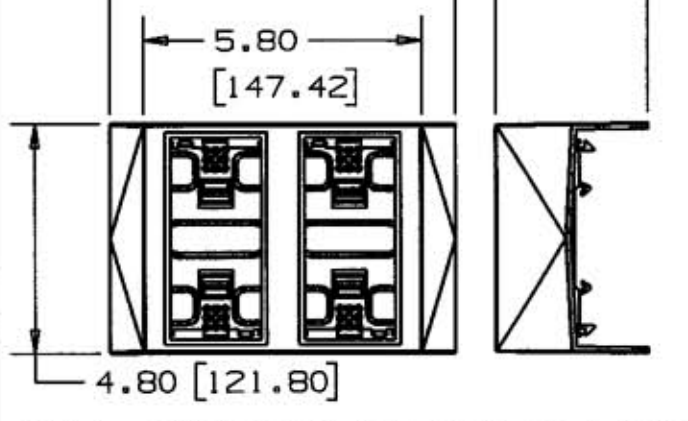
LIST OF PARTS

DESCRIPTION	MATERIAL	FINISH
DEVICE BOX COVER	PVC	OFFICE WHITE
DEVICE SUPPORT	PVC	OFFICE WHITE
DEVICE BASE	PVC	OFFICE WHITE
DEVICE WINDOW	PVC	OFFICE WHITE

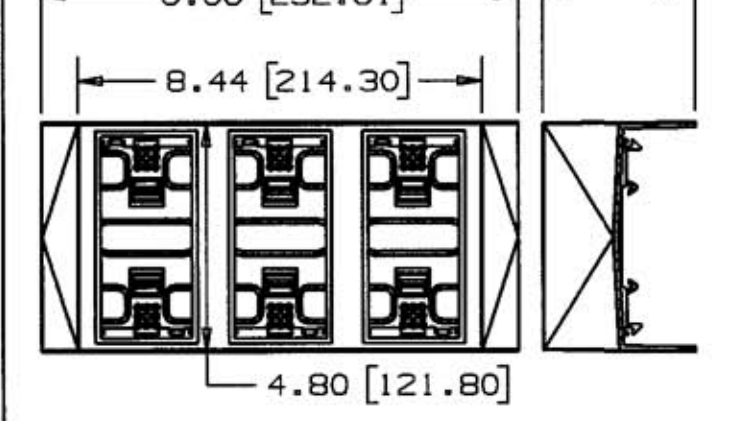
M-8055 1



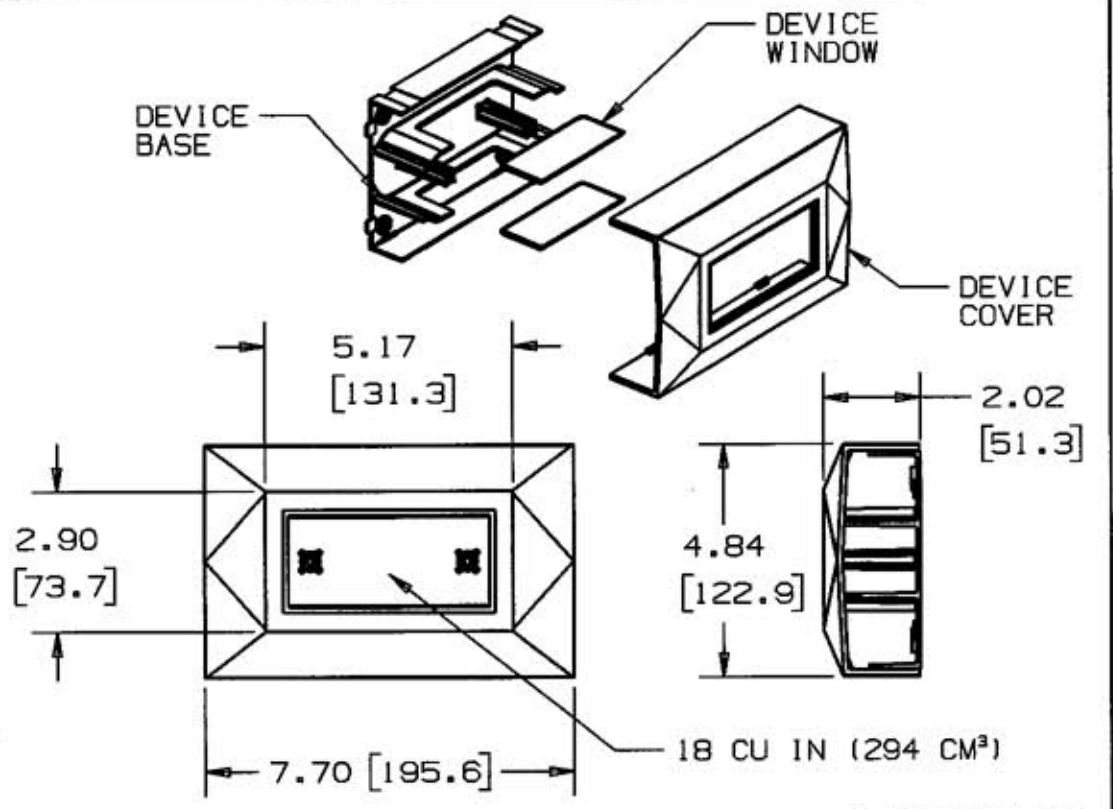
FULL CAPACITY RAISED IN-LINE
1 GANG DEVICE BOX
15 CU IN (245 CM³)
PB3FCIB



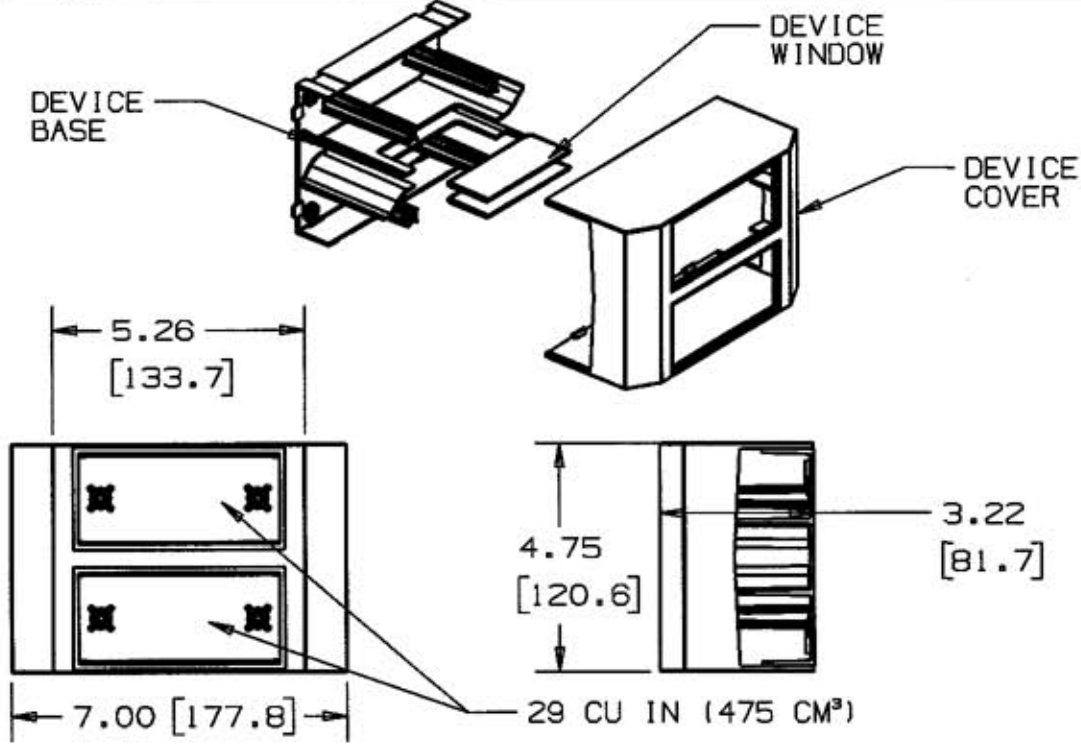
FULL CAPACITY RAISED IN-LINE
2 GANG DEVICE BOX
15 CU IN (245 CM³) EACH
PB3FCIB2G



FULL CAPACITY RAISED IN-LINE
3 GANG DEVICE BOX
15 CU IN (245 CM³) EACH
PB3FCIB3G



1 GANG IN-LINE DEVICE BOX PB3IND



2 GANG IN-LINE DEVICE BOX PB3IND2G

NOTE: ALL DIMENSIONS IN INCHES AND [MM]

1	RELEASED PER DCN93052	SRE	5/1/02
SYM	REVISIONS	APP	DATE

THE DESIGN AND DIMENSIONS OF THE PRODUCT SHOWN ON THIS DRAWING ARE SUBJECT TO CHANGE WITHOUT NOTICE

TITLE
DEVICE BOXES
PB3 BASETRAK

TOLERANCES UNLESS OTHERWISE SPECIFIED	WIRING DEVICE-KELLEMS HUBBELL INCORPORATED BRIDGEPORT, CT	
FRACTIONS ±1/64	DR. BY SRE	APP. BY SRE
DECIMALS ±.005	TR. BY	SCALE ---
ANGLES ±2°	CHK'D BY SRE	DATE 9/27/01