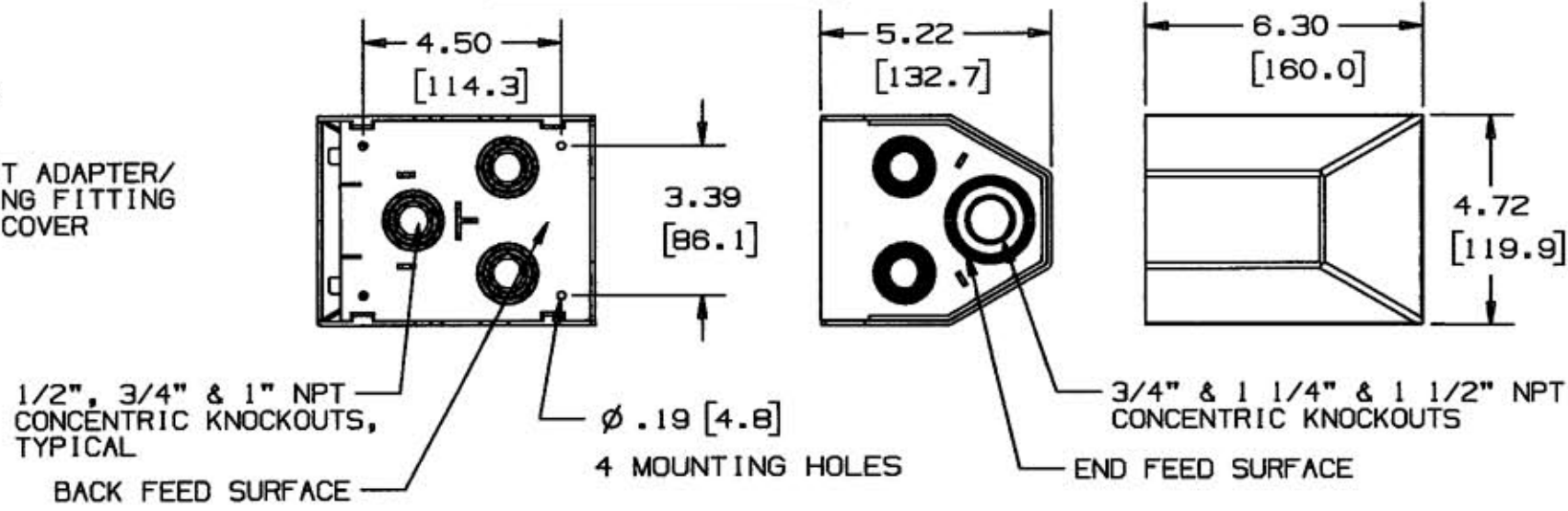
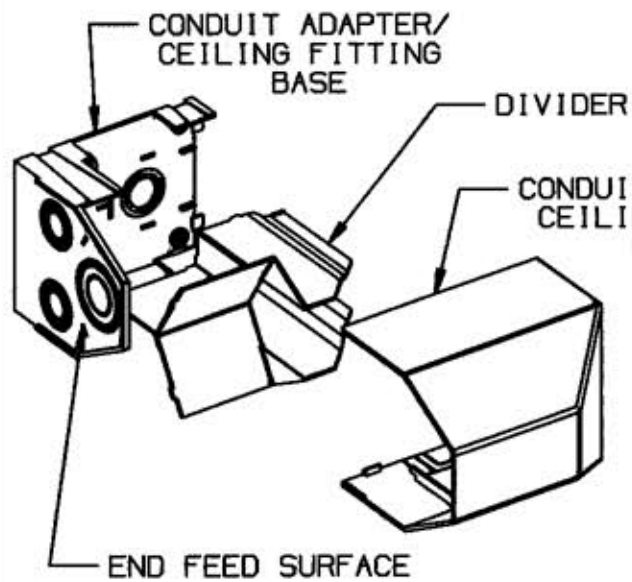
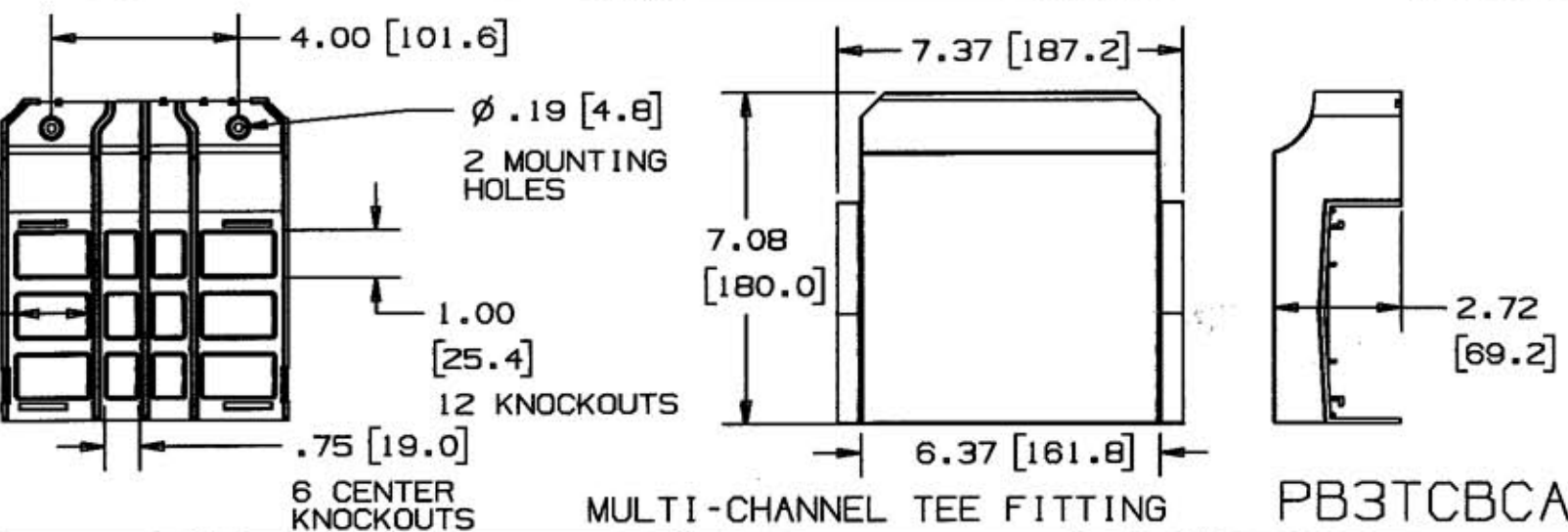
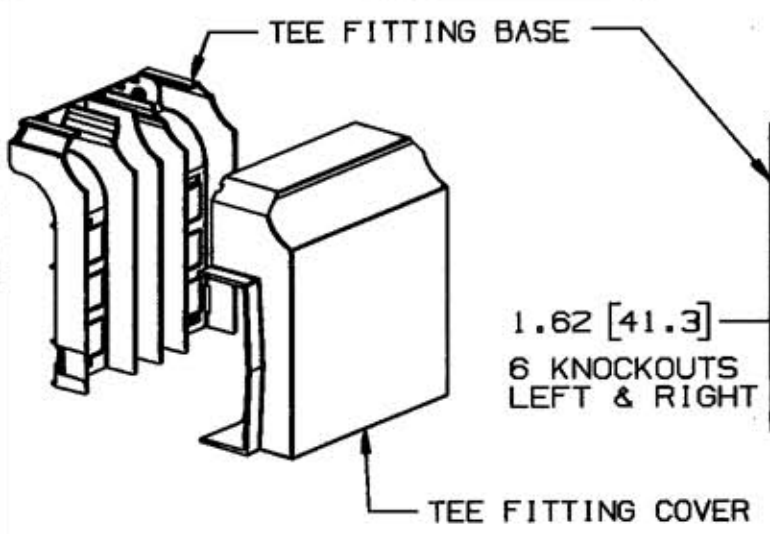


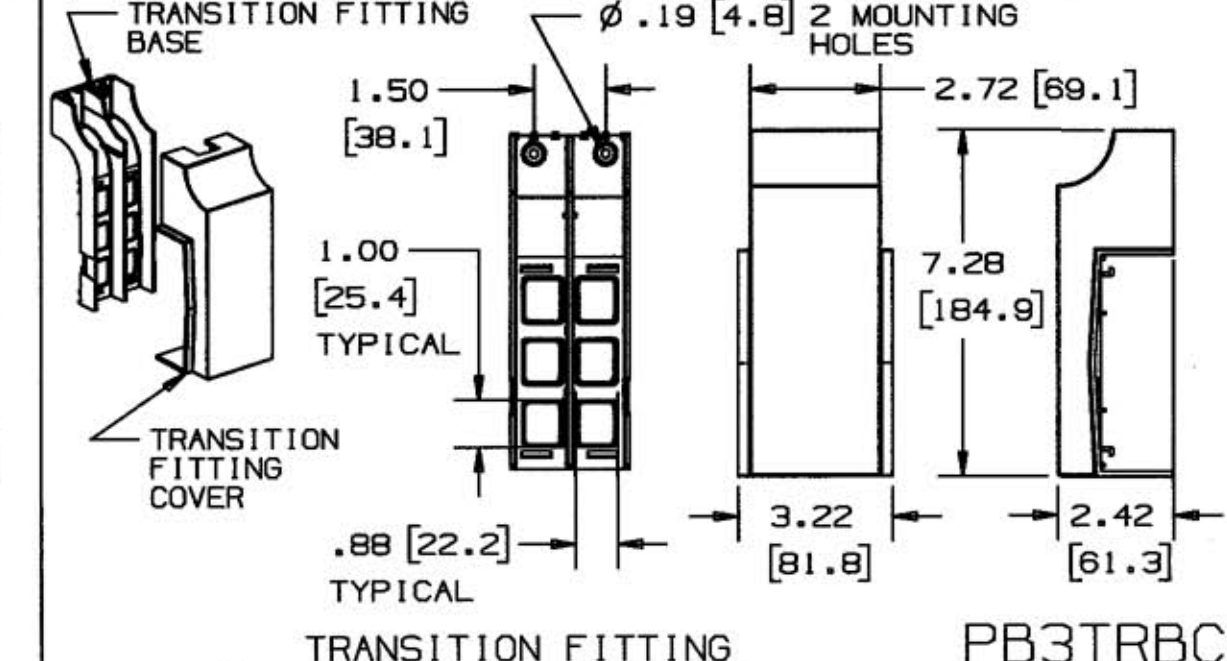
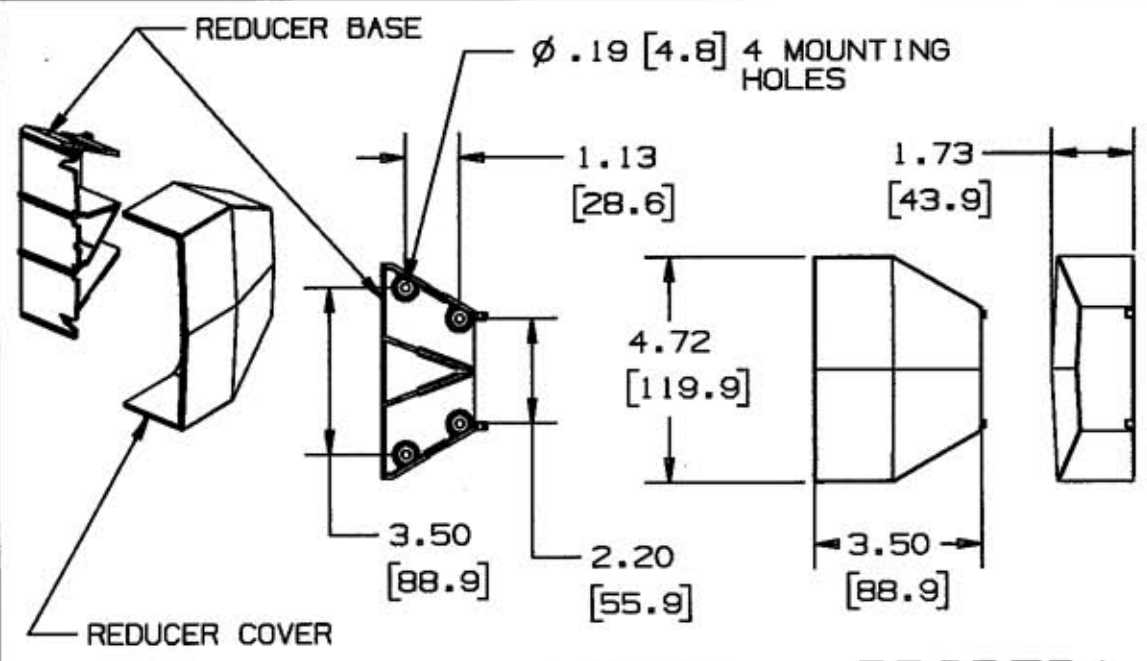
M-8059 2



CONDUIT ADAPTER/CEILING FITTING PB3CACF



MULTI-CHANNEL TEE FITTING PB3TCBCA



REDUCER PB3REDA
TRANSITION FITTING PB3TRBC

NOTE: ALL DIMENSIONS IN INCHES AND [MM]

LIST OF PARTS

DESCRIPTION	MATERIAL	FINISH
CONDUIT/CEIL. ADAPT. BASE	PVC	OFFICE WHITE
CONDUIT/CEIL. ADAPT. COVER	PVC	OFFICE WHITE
CONDUIT/CEIL. ADAPT. DIVIDER	PVC	OFFICE WHITE
TEE FITTING BASE	PVC	OFFICE WHITE
TEE FITTING COVER	PVC	OFFICE WHITE
REDUCER BASE	PVC	OFFICE WHITE
REDUCER COVER	PVC	OFFICE WHITE
TRANSITION FITTING COVER	PVC	OFFICE WHITE
TRANSITION FITTING BASE	PVC	OFFICE WHITE

SEE DRAWING

REPAIRABLE NON-REPAIRABLE

SYM	REVISIONS	APP	DATE
2	REVISED PER DCN11790	SRE	6/9/04
1	RELEASED PER DCN 9305	SRE	5/1/02

THE DESIGN AND DIMENSIONS OF THE PRODUCT SHOWN ON THIS DRAWING ARE SUBJECT TO CHANGE WITHOUT NOTICE

TITLE ADAPTERS, BASETRAK

TOLERANCES UNLESS OTHERWISE SPECIFIED		WIRING DEVICE-KELLEMS HUBBELL INCORPORATED BRIDGEPORT, CT	
FRACTIONS ±1/64	DR. BY SRE	APP. BY SRE	
DECIMALS ±.005	TR. BY	SCALE ---	
ANGLES ±2°	CHK'D BY SRE	DATE 9/28/01	

M-8059

2