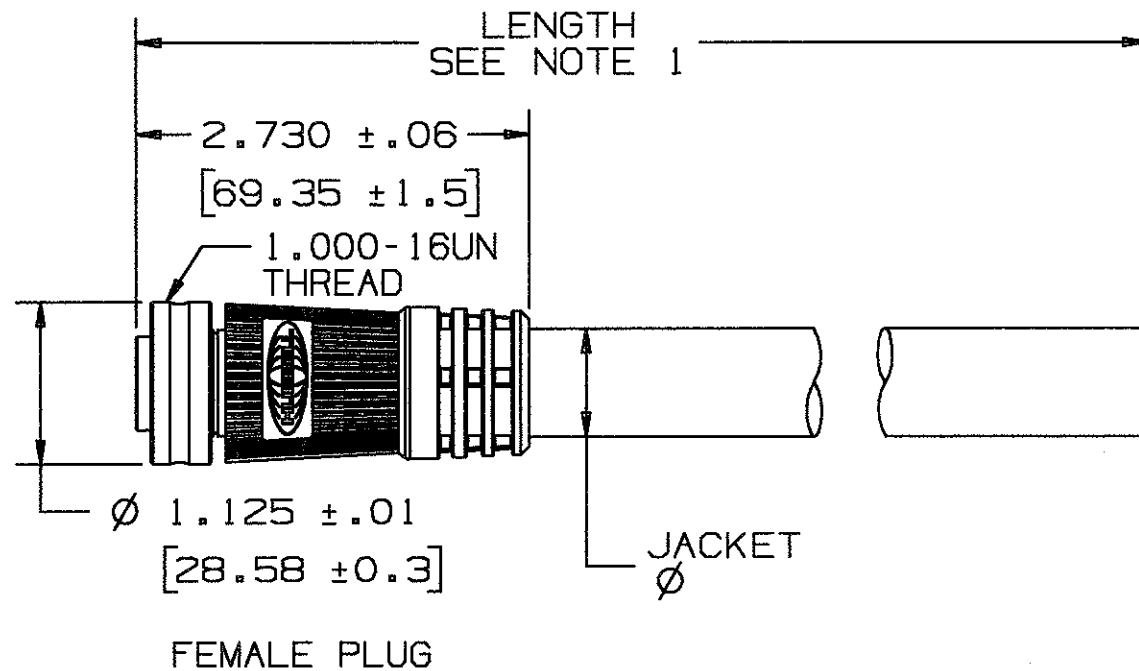
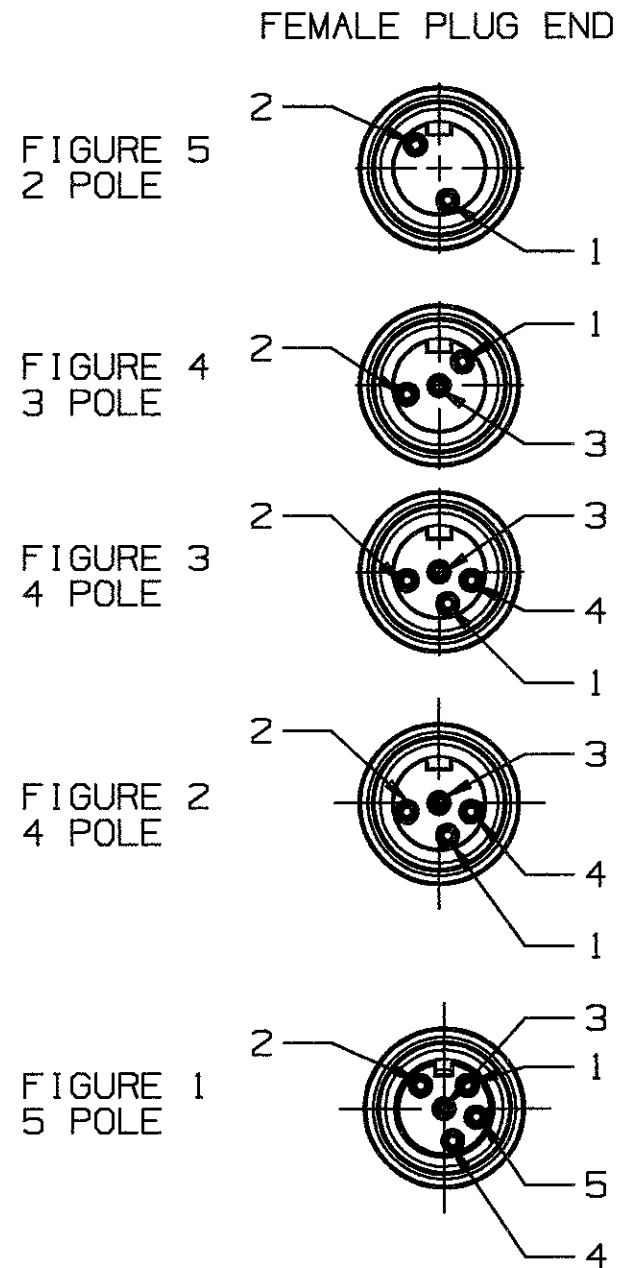


M-9907 2



| WIRE POSITION AND WIRE COLOR | | | |
|------------------------------|-----------------------------------|--|---|
| PF2002PBXXX 2 POLE | PF2003PBXXX 3 POLE | PF2004PBXXX 4 POLE | PF2005PBXXX 5 POLE |
| 1-BLUE 2-BLUE | 1-BLACK 2-WHITE 3-GREEN/YEL | 1-BLACK 2-WHITE 3-GREEN/YEL 4-BLACK | 1-BLACK 2-WHITE 3-GREEN/YEL 4-BLACK 5-BLACK |
| | PF2003PAXXX 3 POLE | PF2004PAXXX 4 POLE | |
| | 1-BLACK 2-BLACK 3-GREEN/YEL | 1-BLACK 2-BLACK 3-GREEN/YEL 4-BLACK | |

NOTES UNLESS OTHERWISE SPECIFIED:

1. THE "XXX" IN CATALOG NUMBER DENOTES LENGTH OF PLUG ASSEMBLY IN FEET. PF2306PB005 IS 5 FEET LONG. TOLERANCE ± 3.0" UP TO 5 FT., ± 8.0" FROM 5 FT TO 25 FT., ± 12" GREATER THAN 25 FT.
2. FIGURE SHOWN IS FEMALE CORDSET.
3. UL LISTED (PRODUCT CATEGORY CYJV) NOT FOR CURRENT INTERRUPT, RATING 20A/600V. CABLE - LISTED (QPOR) POWER & CONTROL TRAY CABLE 600V TYPE TC-ER.
4. THESE DEVICES SHALL CONFORM TO LINKOSITY SPECIFICATIONS -0015, -0020.
5. DIMENSIONS ARE IN INCHES [mm].
6. LINKOSITY™ IS A TRADEMARK OF LOCKHEED MARTIN.

| CATALOG NUMBER SEE NOTE 1 | SEE FIGURE NUMBER | CABLE JACKET DIA. |
|------------------------------|-------------------|-------------------|
| PF2005PBXXX | 1 | .710±.015 |
| PF2004PBXXX | 2 | .645±.015 |
| PF2004PAXXX | 3 | .645±.015 |
| PF2003PBXXX | 4 | .595±.015 |
| PF2002PBXXX | 5 | .575±.015 |
| PF2003PAXXX | 4 | .595±.015 |

| LIST OF PARTS | | |
|-------------------|--------------|-----------------|
| DESCRIPTION | MATERIAL | FINISH |
| COUPLING NUT | BRASS | NICKEL PLATED |
| INSULATOR, SOCKET | NYLON | WHITE |
| O RING | RUBBER | BLACK |
| O RING | SILICONE | GREEN |
| SOCKET CONTACT | COPPER ALLOY | GOLD OVER Pd/Ni |
| OVERMOLD | POLYURETHANE | GRAY |
| CABLE 12 AWG | PVC | GRAY |

| SYM | REVISIONS | APP | DATE |
|-----|--|-----|---------|
| 2 | ADDED CAT. #PF2003PAXXX TO TABLES; IN FIGURE 4 LABEL, "3 POLE" WAS "5 POLE" PER DCN #13370. JMN JPP | JPP | 9/1/06 |
| 1 | RELEASED PER DCN #12597. JMN JPP | JPP | 9/28/05 |

THE DESIGN AND DIMENSIONS OF THE PRODUCT SHOWN ON THIS DRAWING ARE SUBJECT TO CHANGE WITHOUT NOTICE

TITLE
20A FEMALE ENDED CABLE
LINKOSITY™
#12 AWG TC-ER CABLE

| TOLERANCES UNLESS OTHERWISE SPECIFIED | | WIRING DEVICE-KELLEMS HUBBELL INCORPORATED BRIDGEPORT, CT | |
|---------------------------------------|--------|---|---------|
| FRACTIONS | ± 1/64 | DR. BY | JMN |
| DECIMALS | ± .005 | APP. BY | JPP |
| ANGLES | ± 2° | TR. BY | |
| | | SCALE | NONE |
| | | CHK'D BY | JPP |
| | | DATE | 9/28/05 |