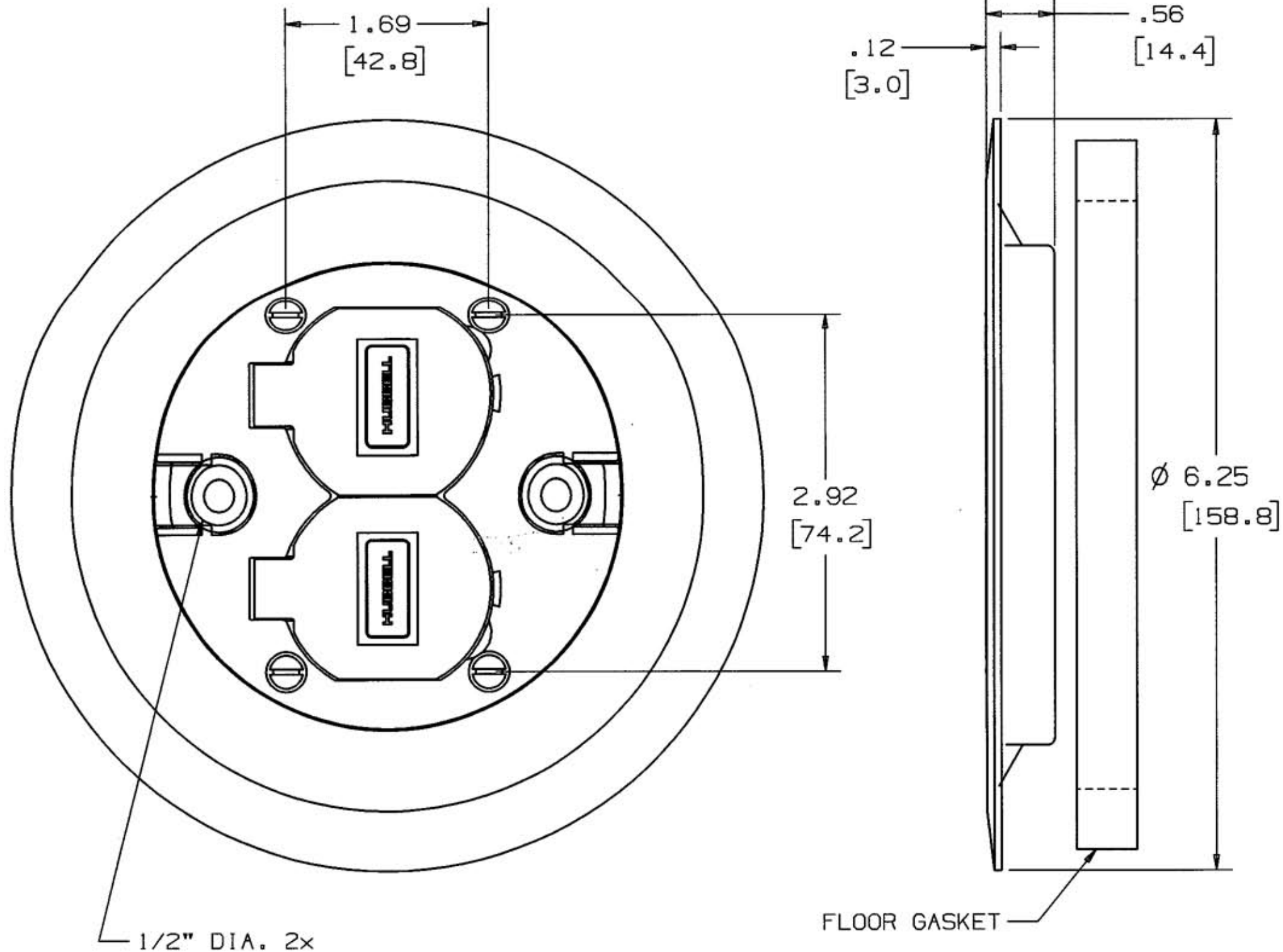


M-8835 2



LIST OF PARTS		
DESCRIPTION	MATERIAL	FINISH
FLANGE, CARPET	ABS	SEE TABLE
PLUG, FLAP COVER	ABS	SEE TABLE
FLAP COVER	ABS	SEE TABLE
FLAP	ABS	SEE TABLE
LOWER FLAP COVER	ABS	SEE TABLE
SPRING, FLAP	ST. STEEL	
PIN, HINGE	ST. STEEL	
BUSHING, SNAP	NYLON	BLACK
#6 SCREW OVAL HD.	STEEL	PASSIVATED
#8 SCREW FLAT HD.	STEEL	ZINC
COVER GASKET	ELASTOMER	BLACK
FLAP GASKET	ELASTOMER	BLACK
#8 SCREW	STEEL	ZINC & PAINT
FLOOR GASKET	ELASTOMER	BLACK

DIMENSION SHEET FOR CAT. NO. SEE TABLE

REPAIRABLE  NON-REPAIRABLE

2	ADDED FLOOR GASKET DCN#10511 PAC	SM	1-3-03
1	INITIAL RELEASE DCN. 9494		5-29-02
SYM	REVISIONS	APP	DATE

THE DESIGN AND DIMENSIONS OF THE PRODUCT SHOWN ON THIS DRAWING ARE SUBJECT TO CHANGE WITHOUT NOTICE

TITLE  
COVER FOR PLASTIC FLOOR BOX

CATALOG NUMBER	COLOR
PFBCBRA	BROWN
PFBCIA	IVORY
PFBCGYA	GRAY
PFBCBLA	BLACK

TOLERANCES UNLESS OTHERWISE SPECIFIED FRACTIONS ± 1/64 DECIMALS ± .005 ANGLES ± 2'	WIRING DEVICE-KELLEMS HUBBELL INCORPORATED BRIDGEPORT, CT	
	DR. BY TJV	APP. BY
	TR. BY	SCALE 1:1
	CHK'D BY	DATE 5-15-02

8835

2