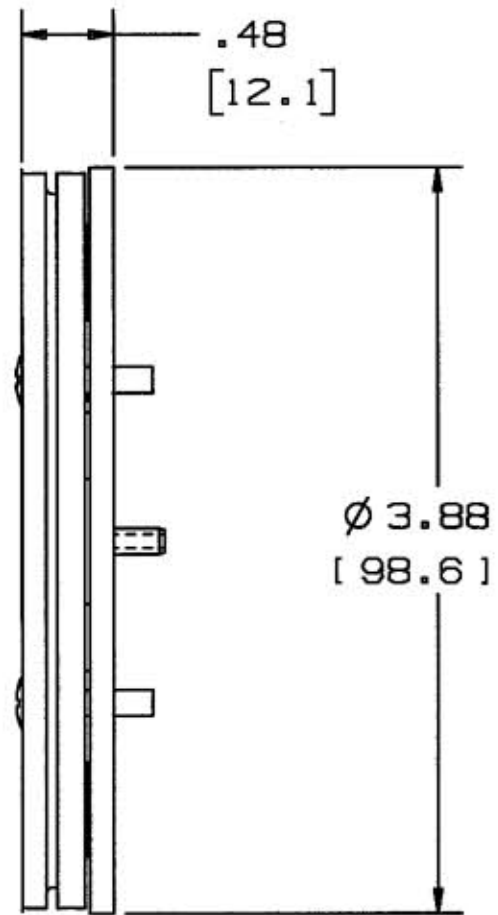
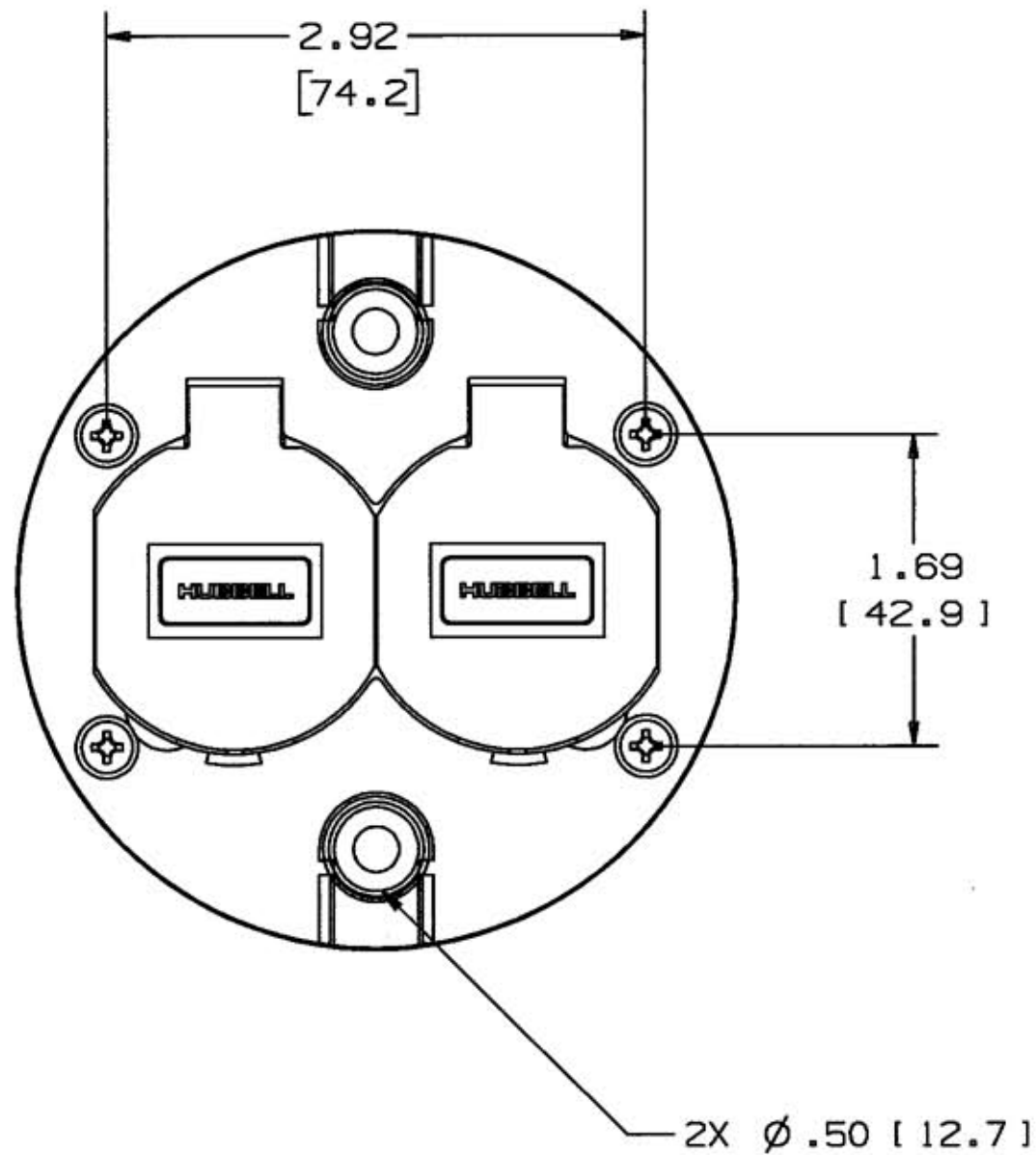


M-8837 2



NOTES: (UNLESS OTHERWISE SPECIFIED)

1) DIMENSIONS ARE: INCHES  
[MILLIMETERS]

2) .XX TOLERANCES TO BE ± .03

CATALOG NUMBER	COLOR
PFBRCA	IVORY
PFBRCBRA	BROWN
PFBRCGYA	GRAY
PFBRCLLA	BLACK

LIST OF PARTS		
DESCRIPTION	MATERIAL	FINISH
PLUG, FLAP COVER	ABS	SEE TABLE
FLAP COVER	ABS	SEE TABLE
LOWER FLAP COVER	ABS	SEE TABLE
FLAP	ABS	SEE TABLE
SPRING, FLAP	ST. STEEL	
PIN, HINGE	ST. STEEL	
BUSHING, SNAP	NYLON	BLACK
#6 SCREW OVAL HD.	ST. STEEL	
COVER GASKET	ELASTOMER	BLACK
FLAP GASKET	ELASTOMER	BLACK
#6 SCREW OVAL HD.	STEEL	ZINC & PAINT
#6 SCREW OVAL HD.	STEEL	ZINC & PAINT

2	ADDED NOTES 1 & 2. "2X Ø .50 [12.7]" WAS "1/2" DIA 2X"; 1.69 [42.9] WAS 1.686 [42.82] AND Ø 3.88 [98.6] WAS Ø 3.90 [99.1]. CHECKED "NON-REPAIRABLE" BOX PER DCN #12944. JMN	DJP	7/12/06
1	INITIAL RELEASE DCN. 9494	SM	5-29-02
SYM	REVISIONS	APP	DATE

THE DESIGN AND DIMENSIONS OF THE  
PRODUCT SHOWN ON THIS DRAWING ARE  
SUBJECT TO CHANGE WITHOUT NOTICE

TITLE  
REPLACEMENT COVER FOR  
PLASTIC FLOOR BOX

TOLERANCES UNLESS OTHERWISE SPECIFIED	WIRING DEVICE-KELLEMS HUBBELL INCORPORATED BRIDGEPORT, CT	
FRACTIONS ± 1/64	DR. BY T JV	APP. BY
DECIMALS ± .005	TR. BY	SCALE 1:1
ANGLES ± 2°	CHK'D BY	DATE 5-15-02

DIMENSION SHEET FOR CAT. NO. SEE TABLE  
 REPAIRABLE  NON-REPAIRABLE  B M-8837 2