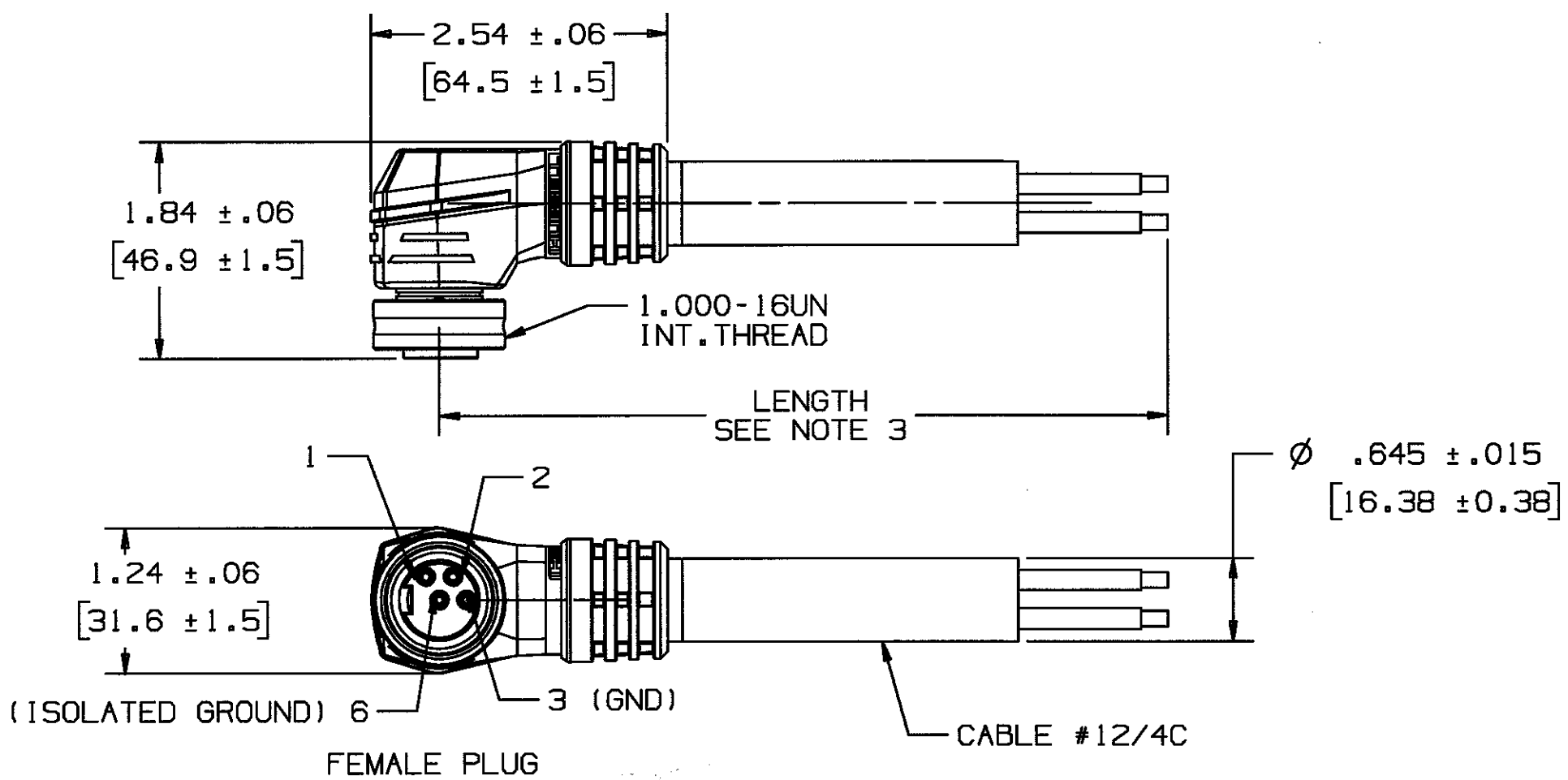


M-9775 | 1



NOTES: UNLESS OTHERWISE SPECIFIED

- 1. UL LISTED (PRODUCT CATEGORY CYJV). NOT FOR CURRENT INTERRUPT, RATED 20A, 600V. CABLE - LISTED (QPOR) POWER & CONTROL TRAY CABLE, 600V TYPE TC-ER.
- 2. THESE DEVICES SHALL CONFORM TO LINKOSITY SPECIFICATIONS -0015, -0177.
- 3. THE "XXX" IN CATALOG NUMBER DENOTES LENGTH OF PLUG ASSEMBLY IN FEET. PG2304PB005 IS 5 FEET LONG. TOLERANCE ±3.0" UP TO 5'; ± 8.0" FROM 5' TO 25'; ±12.0" GREATER THAN 25'.
- 4. FIGURE SHOWN IS A RIGHT ANGLE FEMALE SINGLE ENDED CORDSET.
- 5. DIMENSIONS ARE IN INCHES [mm].
- 6. LINKOSITY™ IS A TRADEMARK OF LOCKHEED MARTIN.

CATALOG NUMBER SEE NOTE 3	NUMBER OF POLES	POSITION NUMBER	COLOR	CONDUCTOR MARKING
PG2304PBXXX	4	1	BLACK	P1
		2	WHITE	P2
		3	GREEN/YELLOW	P3
		6	GREEN/YELLOW	P6

LIST OF PARTS

DESCRIPTION	MATERIAL	FINISH
COUPLING NUT	BRASS	NICKEL PLATE
OVERMOLD	POLYURETHANE	GRAY
CABLE	12 AWG PVC	GRAY
SOCKET CONTACT	BRASS	GOLD OVER PD/NI
INSULATOR, SLEEVE	NYLON	WHITE

DIMENSION SHEET FOR CAT. NO. SEE TABLE

REPAIRABLE NON-REPAIRABLE

1	4/29/04 RELEASED PER DCN#12330 CAC	CAC	4/29/05
SYM	REVISIONS	APP	DATE

THE DESIGN AND DIMENSIONS OF THE PRODUCT SHOWN ON THIS DRAWING ARE SUBJECT TO CHANGE WITHOUT NOTICE

TITLE
20A R/A FEMALE SNIG SINGLE ENDED CABLE LINKOSITY™ 12 AWG, TC-ER CABLE

TOLERANCES UNLESS OTHERWISE SPECIFIED FRACTIONS ± 1/64 DECIMALS ± .005 ANGLES ± 2°	WIRING DEVICE-KELLEMS HUBBELL INCORPORATED BRIDGEPORT, CT	
	DR. BY CAC	APP. BY CAC
	TR. BY	SCALE NONE
	CHK'D BY CAC	DATE 4/29/05

M-9775

1