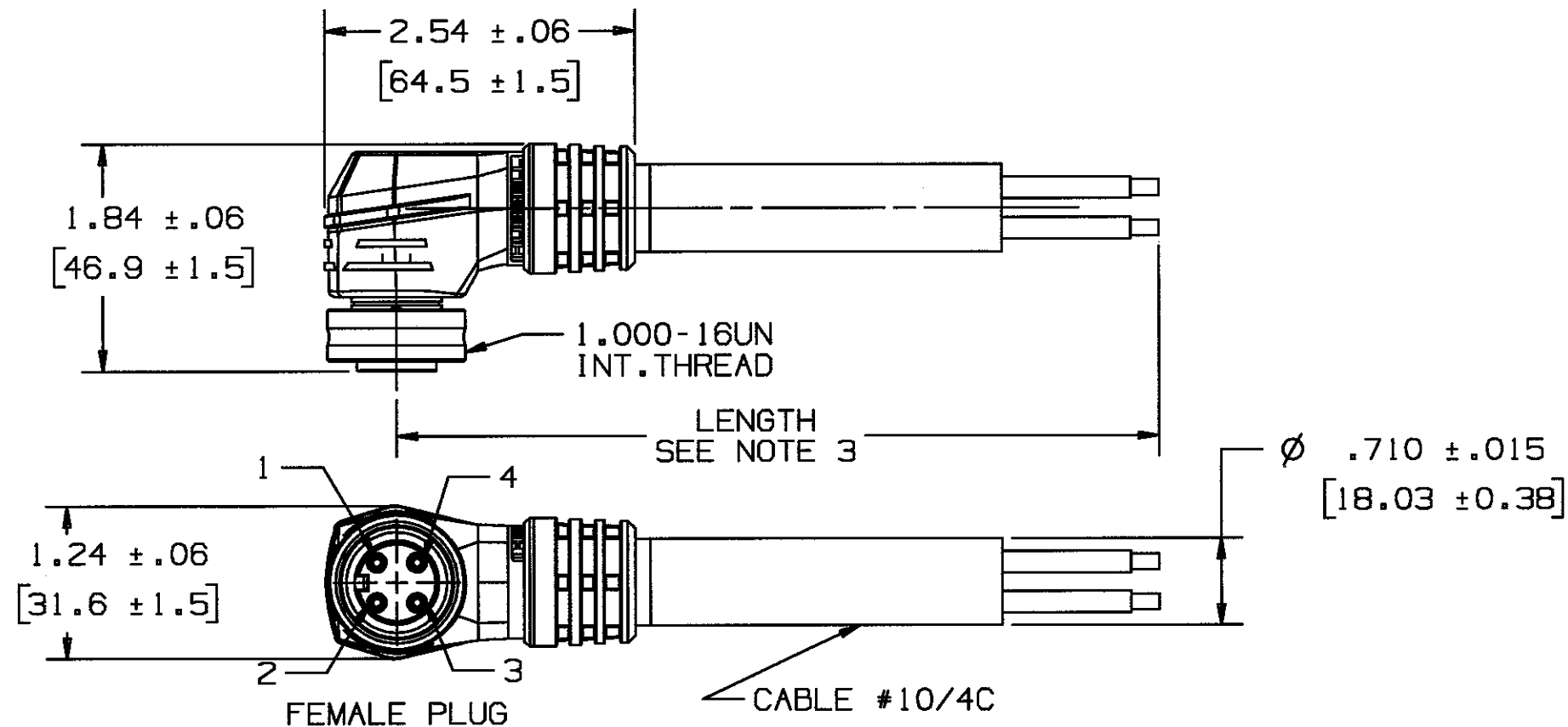


M-9776 1



NOTES: UNLESS OTHERWISE SPECIFIED

1. UL LISTED (PRODUCT CATEGORY CYJV). NOT FOR CURRENT INTERRUPT, RATED 30A, 600V. CABLE - LISTED (QPOR) POWER & CONTROL TRAY CABLE, 600V TYPE TC-ER.
2. THESE DEVICES SHALL CONFORM TO LINKOSITY SPECIFICATIONS -0015, -0021.
3. THE "XXX" IN CATALOG NUMBER DENOTES LENGTH OF PLUG ASSEMBLY IN FEET. PG3004PB005 IS 5 FEET LONG. TOLERANCE ± 3.0 " UP TO 5'; ± 8.0 " FROM 5' TO 25'; ± 12.0 " GREATER THAN 25'.
4. FIGURE SHOWN IS A RIGHT ANGLE FEMALE SINGLE ENDED CORDSET.
5. DIMENSIONS ARE IN INCHES [mm].
6. LINKOSITY™ IS A TRADEMARK OF LOCKHEED MARTIN.

CATALOG NUMBER SEE NOTE 3	NUMBER OF POLES	POSITION NUMBER	COLOR	CONDUCTOR MARKING
PG3004PBXXX	4	1	BLACK	P1
		2	WHITE	P2
		3	GREEN/YELLOW	P3
		4	BLACK	P4
PG3004PAXXX	4	1	BLACK	P1
		2	BLACK	P2
		3	GREEN/YELLOW	P3
		4	BLACK	P4

LIST OF PARTS

DESCRIPTION	MATERIAL	FINISH
COUPLING NUT	BRASS	NICKEL PLATE
OVERMOLD	POLYURETHANE	GRAY
CABLE	10 AWG PVC	GRAY
SOCKET CONTACT	BRASS	GOLD OVER Pd/Ni
INSULATOR, SLEEVE	NYLON	WHITE

DIMENSION SHEET FOR CAT. NO. SEE TABLE

REPAIRABLE NON-REPAIRABLE

1	4/28/04 RELEASED PER DCN#12330 CAC	CAC	5/04/05
SYM	REVISIONS	APP	DATE

THE DESIGN AND DIMENSIONS OF THE PRODUCT SHOWN ON THIS DRAWING ARE SUBJECT TO CHANGE WITHOUT NOTICE

TITLE
30A R/A FEMALE SINGLE ENDED CABLE LINKOSITY™ 10 AWG, TC-ER CABLE

TOLERANCES UNLESS OTHERWISE SPECIFIED FRACTIONS $\pm 1/64$ DECIMALS $\pm .005$ ANGLES $\pm 2^\circ$	WIRING DEVICE-KELLEMS HUBBELL INCORPORATED BRIDGEPORT, CT	
	DR. BY CAC	APP. BY CAC
	TR. BY	SCALE NONE
	CHK'D BY CAC	DATE 5/03/05

M-9776

1