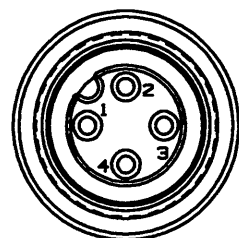
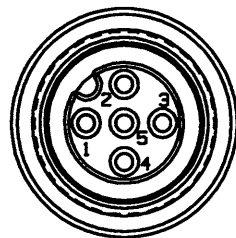


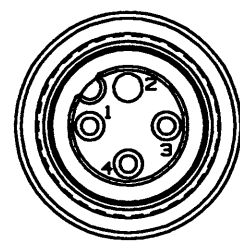
M-9483 1



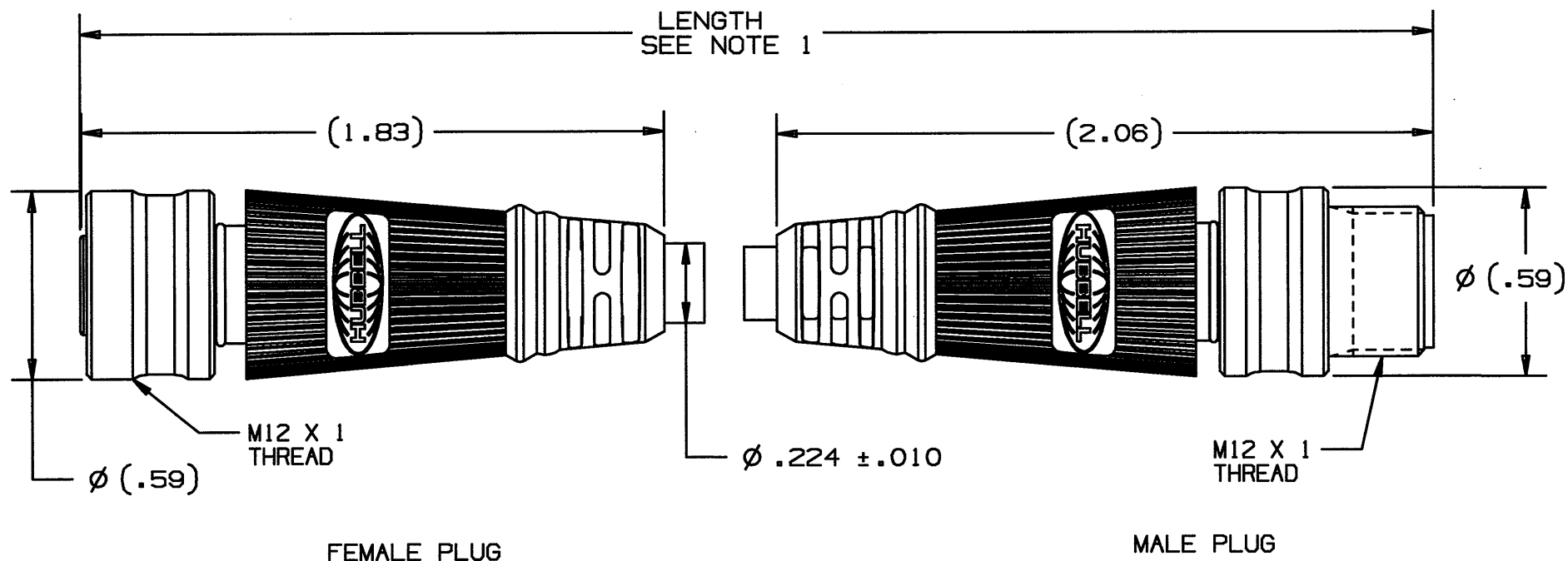
4 POLE



5 POLE



2 & 3 POLE



FEMALE PLUG

MALE PLUG

CATALOG NUMBER	NUMBER OF POLES	POSITION NUMBER	COLOR	CONDUCTOR MARKING	AMPS
PH0302PEXXX	2	1	BLUE	P1	3
		2	NOT USED		
		3	NOT USED		
		4	BLUE	P4	
PH0303PEXXX	3	1	BLUE	P1	
		2	NOT USED		
		3	BLUE	P3	
		4	BLUE	P4	
PH0304PEXXX	4	1	BLUE	P1	
		2	BLUE	P2	
		3	BLUE	P3	
		4	BLUE	P4	
PH0305PEXXX	5	1	BLUE	P1	
		2	BLUE	P2	
		3	BLUE	P3	
		4	BLUE	P4	
		5	BLUE	P5	

NOTES:

1. THE "XXX" SUFFIX IN CATALOG NUMBER DENOTES LENGTH OF PLUG ASSEMBLY IN FEET. PH0303PE005 IS 5 FEET LONG.

CODE 74545

LIST OF PARTS

DESCRIPTION	MATERIAL	FINISH
COUPLING NUT	BRASS	NICKEL
INSULATOR, SOCKET	NYLON	WHITE
INSULATOR, PIN	NYLON	WHITE
O-RING	RUBBER	BLACK
O-RING	SILICONE	GREEN
SOCKET CONTACT	COPPER ALLOY	GOLD OVER Pd/Ni
PIN CONTACT	BRASS	GOLD OVER Pd/Ni
OVERMOLD	POLYURETHANE	GRAY
CABLE	22 AWG	GRAY

DIMENSION SHEET FOR CAT. NO. SEE CHART

REPAIRABLE NON-REPAIRABLE

1	9/9/04 RELEASED PER DCN 11957 MJM GH <i>M.H.</i>	GH	9/9/04
SYM	REVISIONS	APP	DATE

THE DESIGN AND DIMENSIONS OF THE PRODUCT SHOWN ON THIS DRAWING ARE SUBJECT TO CHANGE WITHOUT NOTICE

TITLE
LINKOSITY STRAIGHT EXTENSION CABLE, PLTC/ITC CABLE

TOLERANCES UNLESS OTHERWISE SPECIFIED FRACTIONS ± 1/64 DECIMALS ± .005 ANGLES ± 2°	WIRING DEVICE-KELLEMS HUBBELL INCORPORATED BRIDGEPORT, CT	
	DR. BY MJM	APP. BY GH
	TR. BY	SCALE NONE
	CHK'D BY GH	DATE 9/9/04

B
M-9483
1