

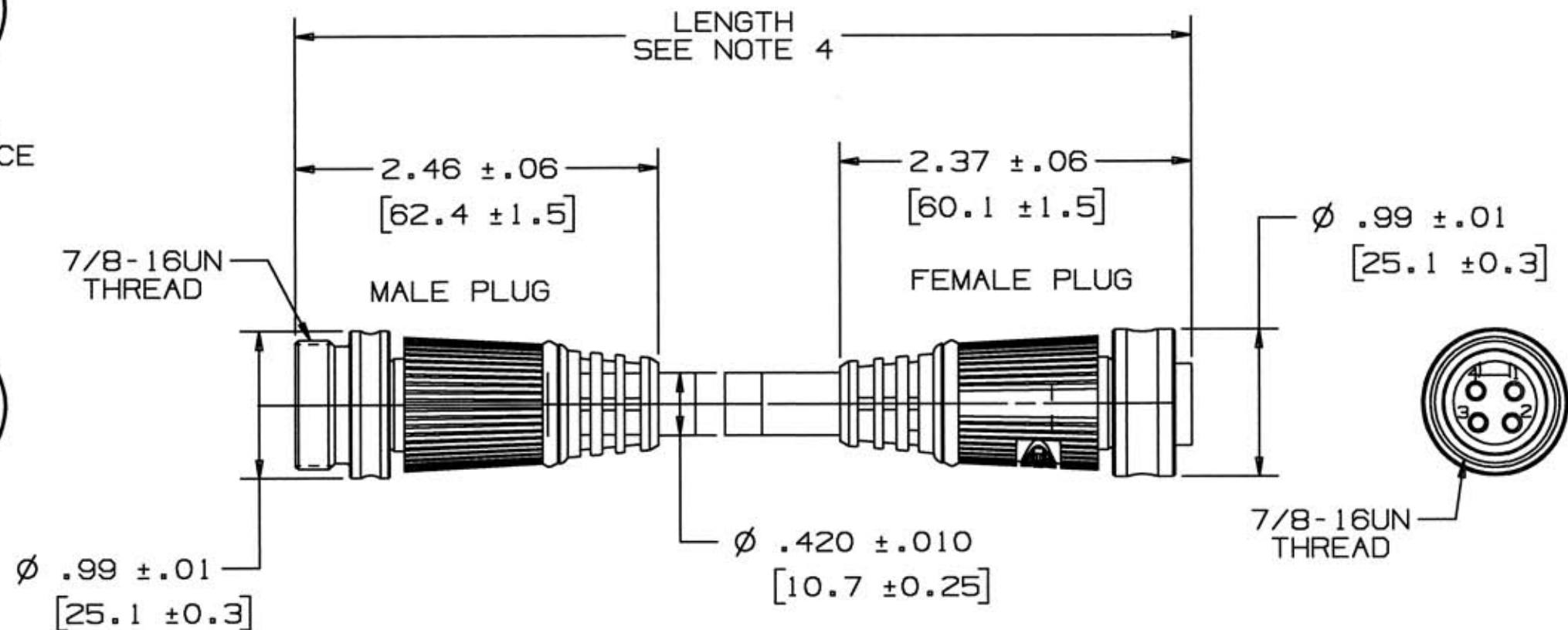
M-9447 4



3 POLE
(MALE FACE
(SHOWN))



4 POLE



CATALOG NUMBER	NUMBER OF POLES	POSITION NUMBER	COLOR	CONDUCTOR MARKING
PH1003PA0XX	3	1	GREEN/YELLOW	P1
		2	BLACK/WHITE	P2
		3	BLACK	P3
PH1004PA0XX	4	1	BLACK	P1
		2	BLACK/RED	P2
		3	BLACK/WHITE	P3
		4	GREEN/YELLOW	P4

NOTES: (UNLESS OTHERWISE SPECIFIED)

- 1) DIMENSIONS ARE IN INCHES [MM].
- 2) ALL DEVICES ARE RATED FOR 10A 600VAC.
- 3) ALL DEVICES ARE U.L. LISTED (PRODUCT CATEGORY CYJV) AND ARE NOT FOR CURRENT INTERRUPT.
CABLE - LISTED (QPOR) POWER AND CONTROL TRAY CABLE 600V TYPE TC-ER.
- 4) THE "XXX" IN CATALOG NUMBER DENOTES LENGTH OF PLUG ASSEMBLY IN FEET. PH1004PA005 IS 5 FEET LONG TOL. ±3.0" UP TO 5FT, ±8.0" FROM 5FT TO 25FT & 12" GREATER THAN 25FT.
- 5) THESE DEVICES SHALL CONFORM TO LINKOSITY SPECIFICATIONS -0015, -0019.
- 6) LINKOSITY™ IS A TRADEMARK OF LOCKHEED MARTIN.

CODE 74545

LIST OF PARTS

DESCRIPTION	MATERIAL	FINISH
COUPLING NUT	BRASS	NICKEL PL.
INSULATOR, SOCKET	NYLON	WHITE
RETAINERS	NYLON	WHITE
O-RING	RUBBER	BLACK
O-RINGS	SILICONE	GREEN
SOCKET CONTACT	COPPER ALLOY	GOLD OVER Pd/Ni
OVERMOLD	POLYURETHANE	GRAY
CABLE 16 AWG	PVC	GRAY
PIN CONTACT	BRASS	GOLD OVER Pd/Ni
INSULATOR, PIN	NYLON	WHITE

REV	DESCRIPTION	APP	DATE
4	7/07/05 REVISED ADDED TOLERANCE W/METRIC EQUIV., UPDATE NOTES TO CURRENT CUSTOMER SPECS. PER DCN 12339 CAC	CAC	7/7/05
3	ADDED "SEE TABLE", DUAL DIM.'S, NOTES 1-3, & WIRE BREAK LINES. REMOVED "AMPS" COLUMN FROM TABLE ADDED "16AWG TO TITLE. "LENGTH SEE NOTE 4" WAS "12 INCHES"; NOTE 4 WAS NOTE 1; "MALE PLUG" WAS "MALE IN-LINE PLUG" PER DCN #12063. JMN	GPH	10/25/04
2	8/7/04 ADDED 3 POLE AND REVISED CHART. IN NOTES FIFTY WAS FIVE. PER DCN 11937 MJM GH	GPH	9/7/04
1	RELEASED PER DCN 11880. DJH	GPH	8/3/04

THE DESIGN AND DIMENSIONS OF THE PRODUCT SHOWN ON THIS DRAWING ARE SUBJECT TO CHANGE WITHOUT NOTICE

TITLE
STRAIGHT EXTENSION CABLE
LINKOSITY™
16AWG TC-ER CABLE

TOLERANCES UNLESS OTHERWISE SPECIFIED	WIRING DEVICE-KELLEMS HUBBELL INCORPORATED BRIDGEPORT, CT	
FRACTIONS ±1/64	DR. BY MJM	APP. BY GPH
DECIMALS ±.005	TR. BY	SCALE NONE
ANGLES ±2°	CHK'D BY GPH	DATE 8/3/04

DIMENSION SHEET FOR CAT. NO. SEE TABLE

REPAIRABLE NON-REPAIRABLE

B

M-9447

4