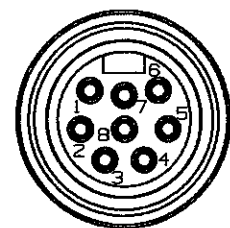
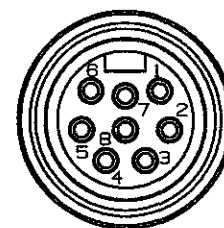


M-9861

2

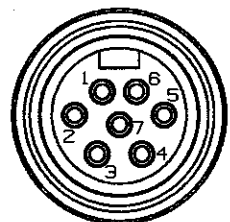


8 POLE
(MALE FACE
(SHOWN))

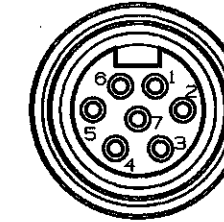


8 POLE
(FEMALE FACE
(SHOWN))

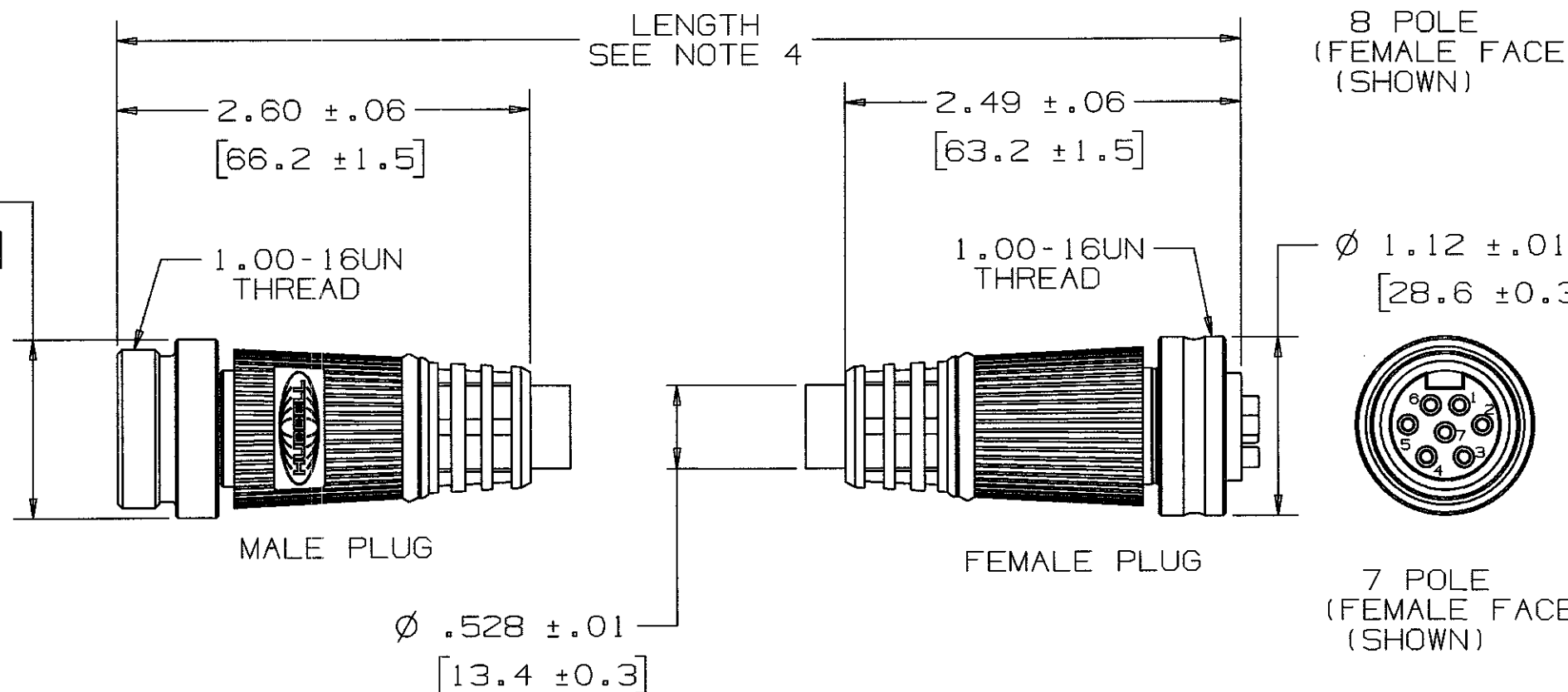
ϕ 1.12 ± .01
[28.6 ± 0.3]



7 POLE
(MALE FACE
(SHOWN))



7 POLE
(FEMALE FACE
(SHOWN))



NOTES: (UNLESS OTHERWISE SPECIFIED)

- 1) DIMENSIONS ARE IN INCHES [MM].
- 2) ALL DEVICES ARE 10A/600VAC AND SHALL CONFORM TO LINKOSITY SPECIFICATIONS -0015, -0019.
- 3) ALL DEVICES ARE U.L. LISTED (PRODUCT CATEGORY CYJV) AND ARE NOT FOR CURRENT INTERRUPT. CABLE LISTED (QPOR) POWER AND CONTROL TRAY CABLE 600V TYPE TC-ER.
- 4) THE "XXX" IN CATALOG NUMBER DENOTES LENGTH OF WIRE IN FEET. PH1007PE 0 5 0 IS FIFTY FEET LONG.
- 5) LINKOSITY™ IS A TRADEMARK OF LOCKHEED MARTIN.

CODE 74545

LIST OF PARTS

DESCRIPTION	MATERIAL	FINISH
COUPLING NUT	BRASS	NICKEL PLATE
INSULATOR, SOCKET	NYLON	WHITE
RETAINERS	NYLON	WHITE
O-RING	RUBBER	BLACK
O-RINGS	SILICONE	GREEN
SOCKET CONTACT	COPPER ALLOY	GOLD OVER Pd/Ni
OVERMOLD	POLYURETHANE	GRAY
CABLE #16AWG	PVC	GRAY
PIN CONTACT	BRASS	GOLD OVER Pd/Ni
INSULATOR, PIN	NYLON	WHITE

DIMENSION SHEET FOR CAT. NO. SEE TABLE

REPAIRABLE

NON-REPAIRABLE

B

M-9861

2

2	ADDED PH100PEXXX TO TABLE WITH 8 POLE PLUG VIEWS. PER DCN 14125 SPN	JPP	8/8/07
1	RELEASED PER DCN 12342.	CAC	
SYM	REVISIONS	APP	DATE

THE DESIGN AND DIMENSIONS OF THE PRODUCT SHOWN ON THIS DRAWING ARE SUBJECT TO CHANGE WITHOUT NOTICE

TITLE
STRAIGHT EXTENSION CABLE
16 AWG TC-ER CABLE

TOLERANCES UNLESS OTHERWISE SPECIFIED	WIRING DEVICE-KELLEMS HUBBELL INCORPORATED BRIDGEPORT, CT	
FRACTIONS ± 1/64	DR. BY CAC	APP. BY CAC
DECIMALS ± .005	TR. BY	SCALE NONE
ANGLES ± 2°	CHK'D BY	DATE 7/25/05

CATALOG NUMBER	NUMBER OF POLES	POSITION NUMBER	COLOR	CONDUCTOR MARKING
PH1007PEXXX	7	1	BLUE/BROWN	P1
		2	BLUE/BLACK	P2
		3	BLUE/WHITE	P3
		4	BLUE/RED	P4
		5	BLUE/GREEN	P5
		6	BLUE/VIOLET	P6
		7	BLUE/GRAY	P7
PH1008PEXXX	8	1	BLUE	P1
		2	BLUE	P2
		3	BLUE	P3
		4	BLUE	P4
		5	BLUE	P5
		6	BLUE	P6
		7	BLUE	P7
		8	BLUE	P8