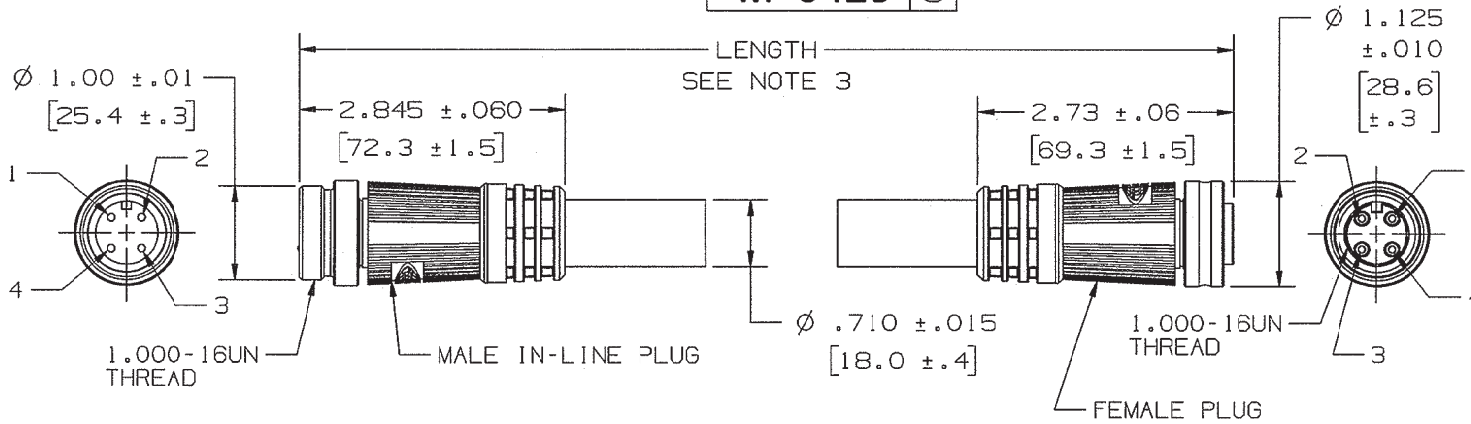


M-9428 5



NOTES: UNLESS OTHERWISE SPECIFIED

- UL LISTED (PRODUCT CATEGORY CYJV). NOT FOR CURRENT INTERRUPT, RATED 30A, 600V. CABLE - LISTED (QPOR) POWER & CONTROL TRAY CABLE, 600V TYPE TC-ER.
- THESE DEVICES SHALL CONFORM TO LINKOSITY SPECIFICATIONS -0015, -0021.
- THE "XXX" IN CATALOG NUMBER DENOTES LENGTH OF PLUG ASSEMBLY IN FEET. PH2306PB005 IS 5 FEET LONG. TOLERANCE ±3.0" UP TO 5'; ± 8.0" FROM 5' TO 25'; ±12.0" GREATER THAN 25'.
- FIGURE SHOWN IS MALE & FEMALE CORDSET.
- DIMENSIONS ARE IN INCHES [mm].
- LINKOSITY™ IS A TRADEMARK OF LOCKHEED MARTIN.
- AN "S" AT THE END OF THE CATALOG NUMBER DENOTES STAINLESS STEEL COUPLING NUT.

CATALOG NUMBER SEE NOTE 3	NUMBER OF POLES	POSITION NUMBER	COLOR	CONDUCTOR MARKING
PH3004PBXXX(S)	4	1	BLACK	P1
		2	WHITE	P2
		3	GREEN/YELLOW	P3
		4	BLACK	P4
PF3004PBXXX(S) (NO MALE PLUG)	4	1	BLACK	P1
		2	WHITE	P2
		3	GREEN/YELLOW	P3
		4	BLACK	P4
PH3004PAXXX(S)	4	1	BLACK	P1
		2	BLACK	P2
		3	GREEN/YELLOW	P3
		4	BLACK	P4
PF3004PAXXX(S) (NO MALE PLUG)	4	1	BLACK	P1
		2	BLACK	P2
		3	GREEN/YELLOW	P3
		4	BLACK	P4

LIST OF PARTS

DESCRIPTION	MATERIAL	FINISH
COUPLING NUT	BRASS OR SST	NICKEL PLATE
INSULATOR, SOCKET	NYLON	WHITE
O RING	RUBBER	BLACK
SOCKET CONTACT	COPPER ALLOY	GRAY
OVERMOLD	POLYURETHANE	GOLD OVER PD/NI
CABLE	10 AWG PVC	GRAY
PIN CONTACT	BRASS	GOLD OVER PD/NI
INSULATOR, PIN	NYLON	WHITE

5	ADDED "PF3004PBXXX(S)" TO TABLE; ADDED "S" TO CATALOG NUMBERS; ADDED NOTE 7; "BRASS OR SST" WAS "BRASS" IN COUPLING NUT IN PARTS LIST PER DCN 18347 RCM	EJM	9/23/11
4	ADDED "PF3004PAXXX" TO TABLE; REMOVED GREEN O-RING FROM PARTS LIST PER DCN 12695 RCM	JPP	11/1/05
3	4/25/05 CHANGED PIN & SOCKET DESIGNATIONS FROM 2 TO 4 AND FROM 4 TO 2 PER DCN 12335 CAC	CAC	4/27/05
2	REVISED NOTES & TABLE; CONVERTED DIMS TO DUAL DIMS. & ADDED TOLS. PER DCN 12321 RCM	CAC	4/17/05
1	8/10/04 RELEASED PER DCN#11927 MJM RDK	RDK	8/10/04
SYM	REVISIONS	APP	DATE

THE DESIGN AND DIMENSIONS OF THE PRODUCT SHOWN ON THIS DRAWING ARE SUBJECT TO CHANGE WITHOUT NOTICE

TITLE
30A DOUBLE ENDED CABLE
LINKOSITY™
10 AWG, TC-ER CABLE

TOLERANCES UNLESS OTHERWISE SPECIFIED	WIRING DEVICE-KELLEMS HUBBELL INCORPORATED BRIDGEPORT, CT	
FRACTIONS ± 1/64	DR. BY MJM	APP. BY RDK
DECIMALS ± .005	TR. BY	SCALE NONE
ANGLES ± 2°	CHK'D BY RDK	DATE 8/10/04

DIMENSION SHEET FOR CAT. NO. M-9428
 REPAIRABLE NON-REPAIRABLE