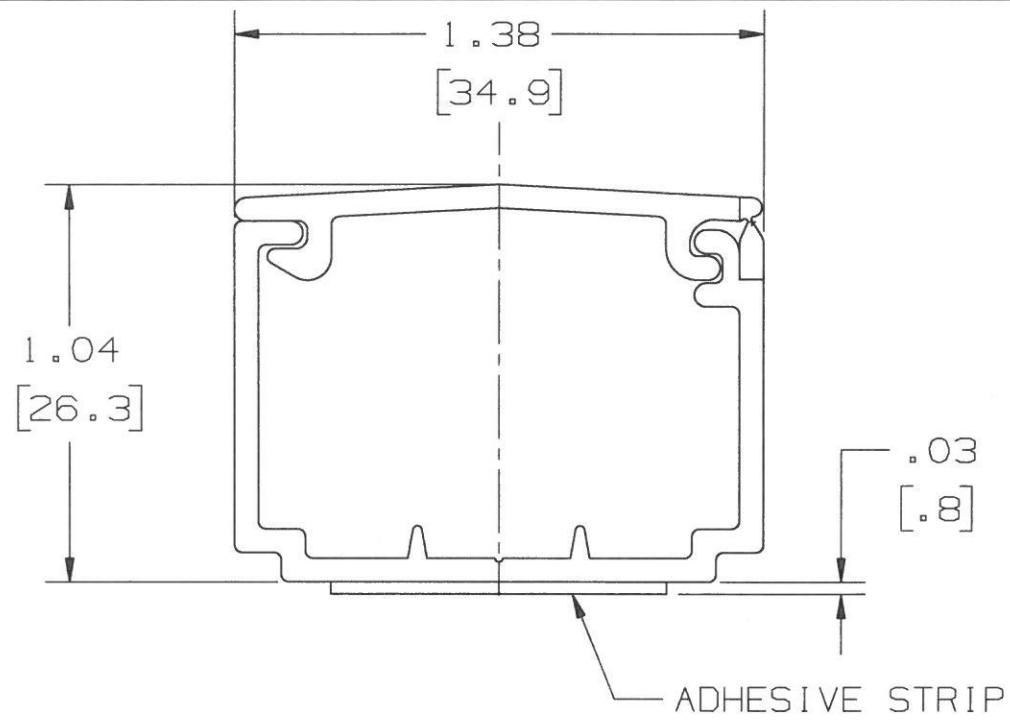
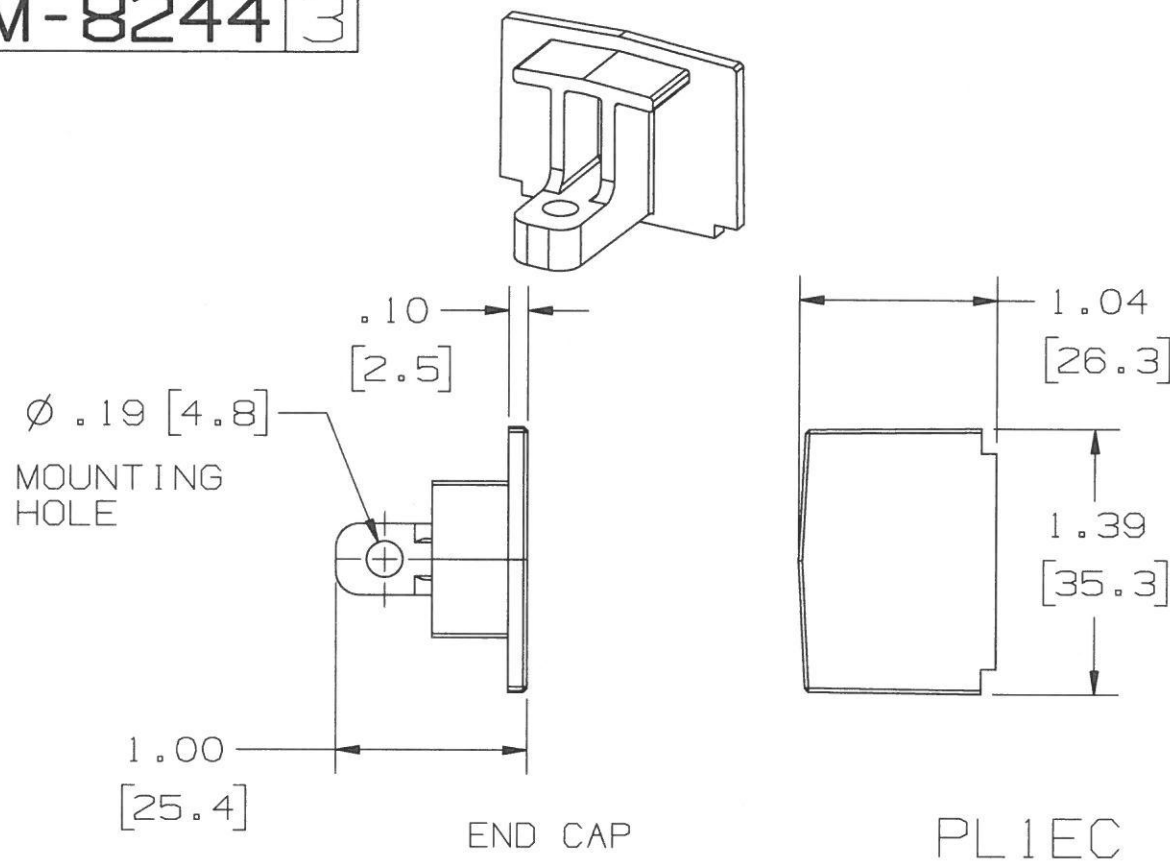


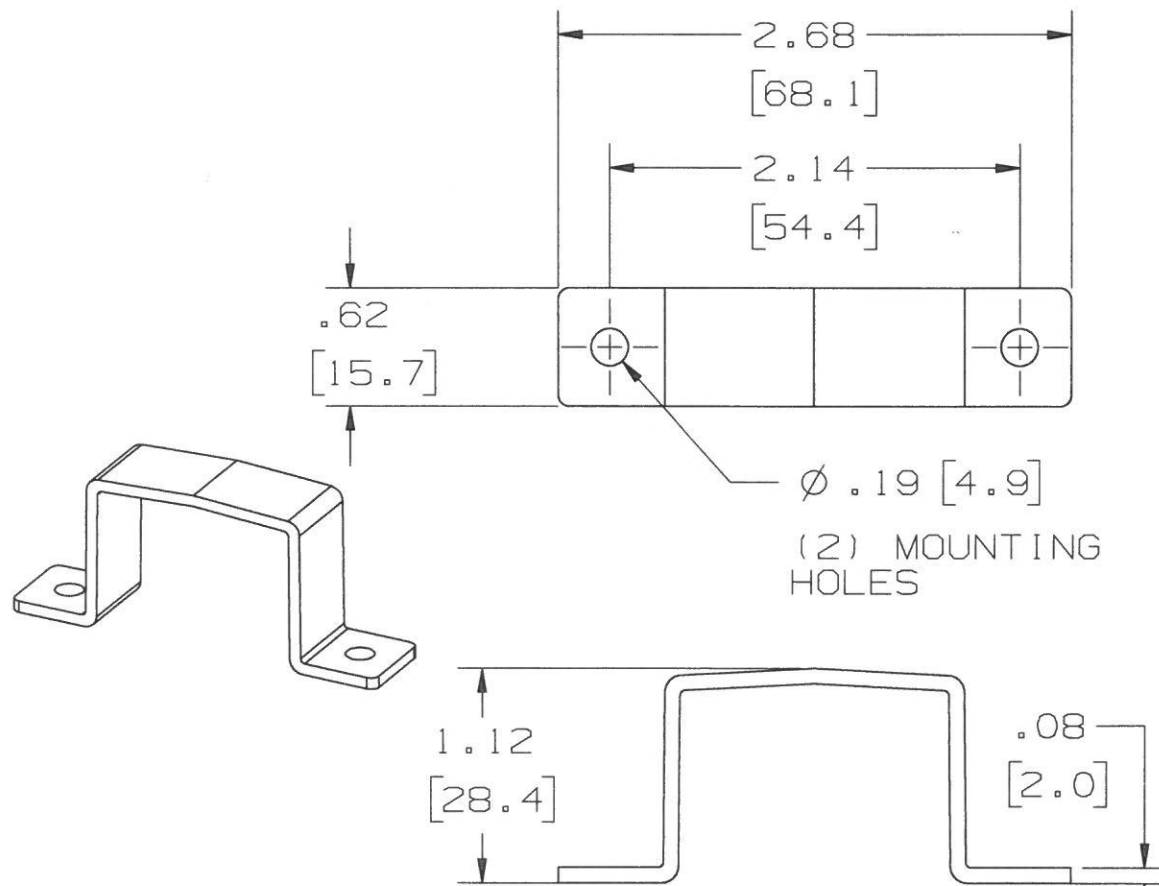
M-8244 3



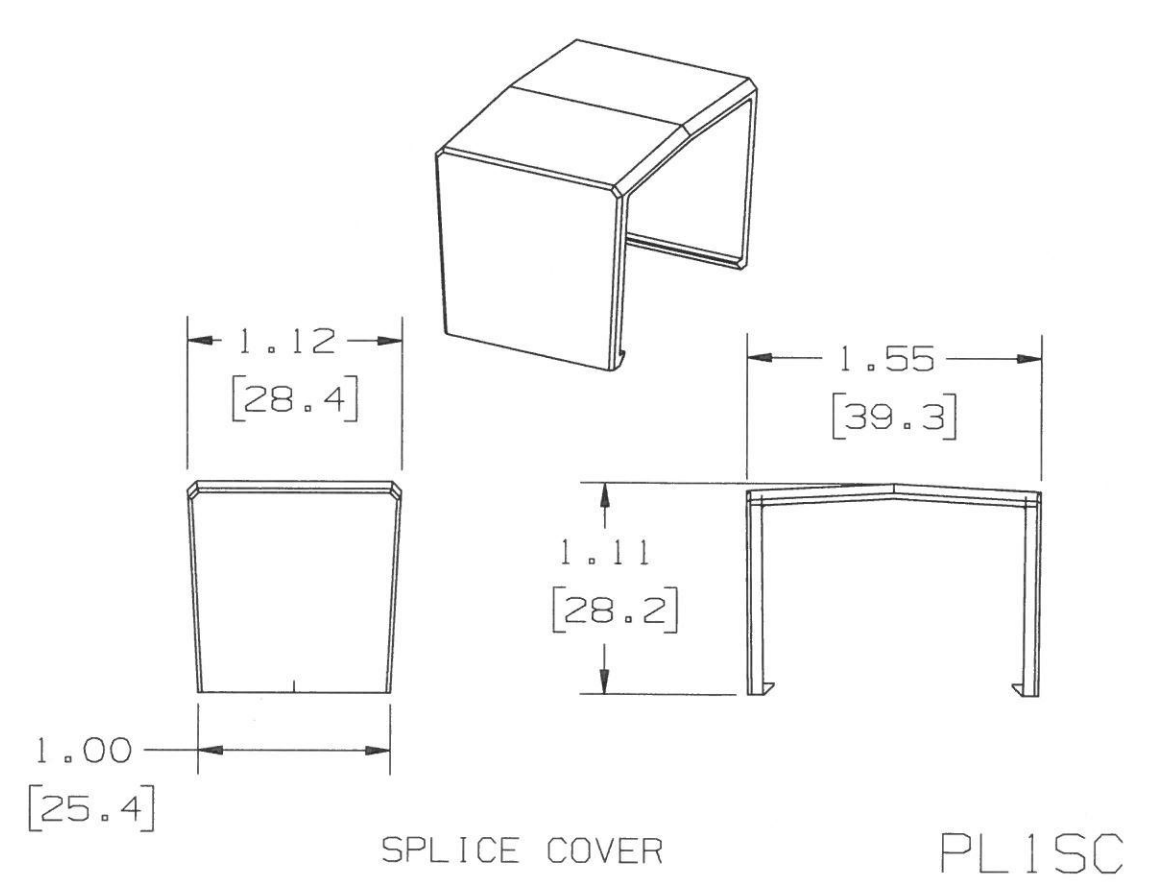
RACEWAY - 5 FT = PL1BC5  
 RACEWAY - 7 FT = PL1BC7  
 RACEWAY, WITH ADHESIVE, 5 FT = PL1ABC5  
 RACEWAY, WITH ADHESIVE, 7 FT = PL1ABC7



END CAP PL1EC



SECURITY STRAP/SPLICE COVER PL1SS



SPLICE COVER PL1SC

NOTES:  
 1. DIMENSIONS ARE IN INCHES AND [mm].  
 2. NOT FOR USE WITH RW90 CONDUCTOR.  
 3. ALL PARTS ARE AVAILABLE IN CHOICE OF FINISHES;  
 OFFICE WHITE, BLACK & WHITE

LIST OF PARTS

DESCRIPTION	MATERIAL	FINISH
RACEWAY	PVC	NOTE 3
END CAP	PVC	NOTE 3
SPLICE COVER	PVC	NOTE 3
SECURITY STRAP/SPLICE COVER	PVC	NOTE 3

SYM	REVISIONS	APP	DATE
3	ADDED NOTE 3 FOR FINISH; ADDED SEE NOTE 3 TO LIST OF PARTS PER DCN 22630 RM	EM	9/21/16
2	ADDED [mm] DIMENSIONS ADDED NOTES PER DCN 22260; RM	DJP	7/14/16
1	RELEASED PER DCN 7981		9/1/00

THE DESIGN AND DIMENSIONS OF THE  
 PRODUCT SHOWN ON THIS DRAWING ARE  
 SUBJECT TO CHANGE WITHOUT NOTICE

TITLE  
 RACEWAY & FITTINGS,  
 PL1 LANTRAK

TOLERANCES UNLESS OTHERWISE SPECIFIED .XX = ±.01 .XXX = ±.005 ANGLES = ±2°	WIRING DEVICE-KELLEMS HUBBELL INCORPORATED SHELTON, CT	
	DR. BY SRE	APP. BY SRE
	TR. BY	SCALE ---
	CHK. BY SRE	DATE 2/23/00

DIMENSION SHEET FOR CAT. NO. SEE SHEET REPAIRABLE  NON-REPAIRABLE  B M-8244 (w)