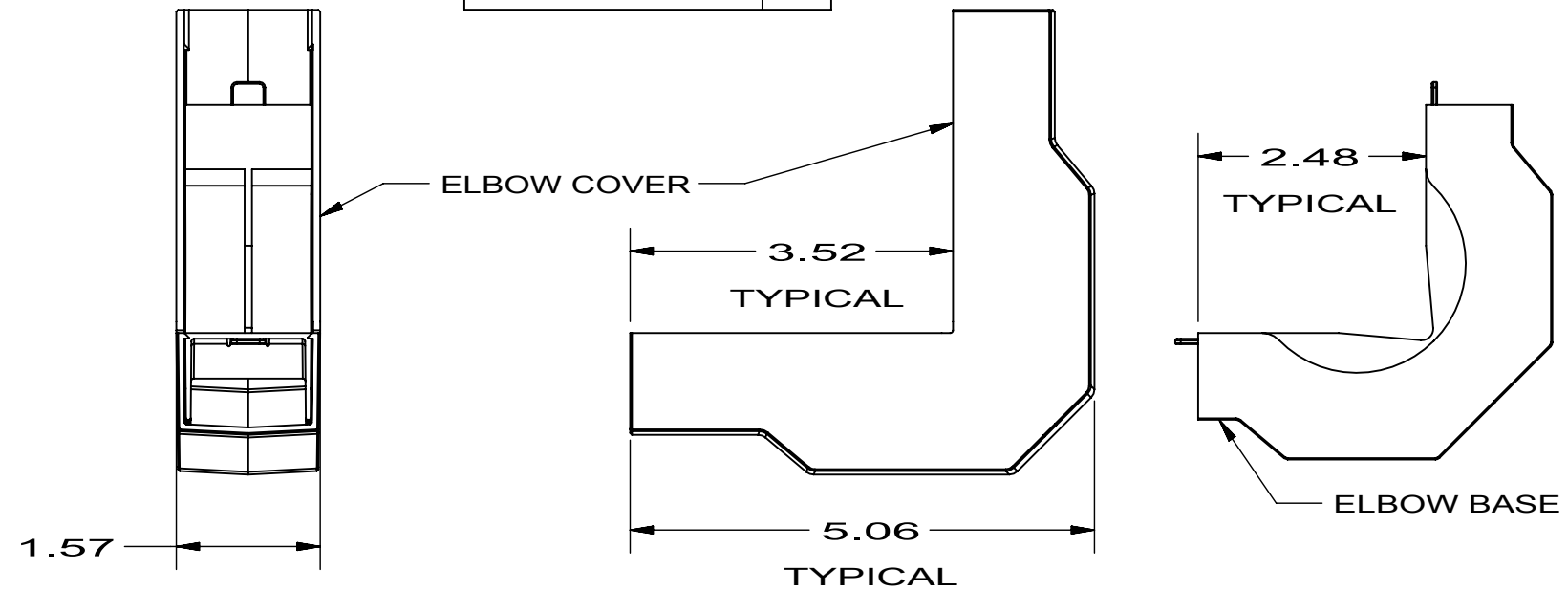
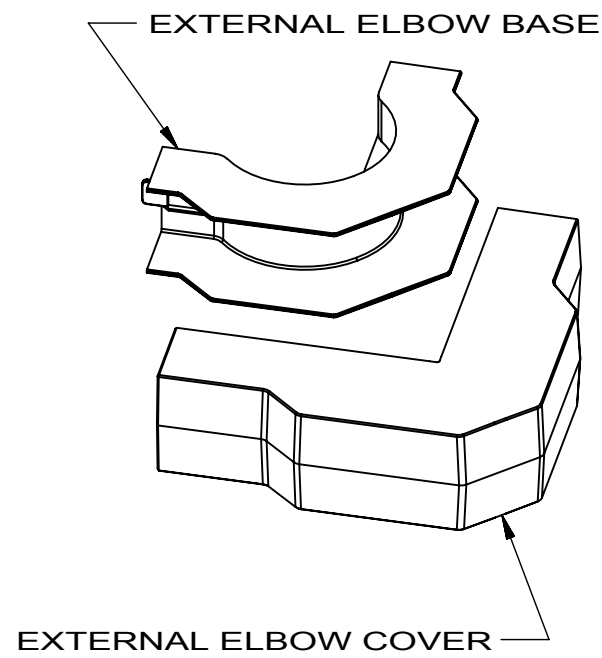
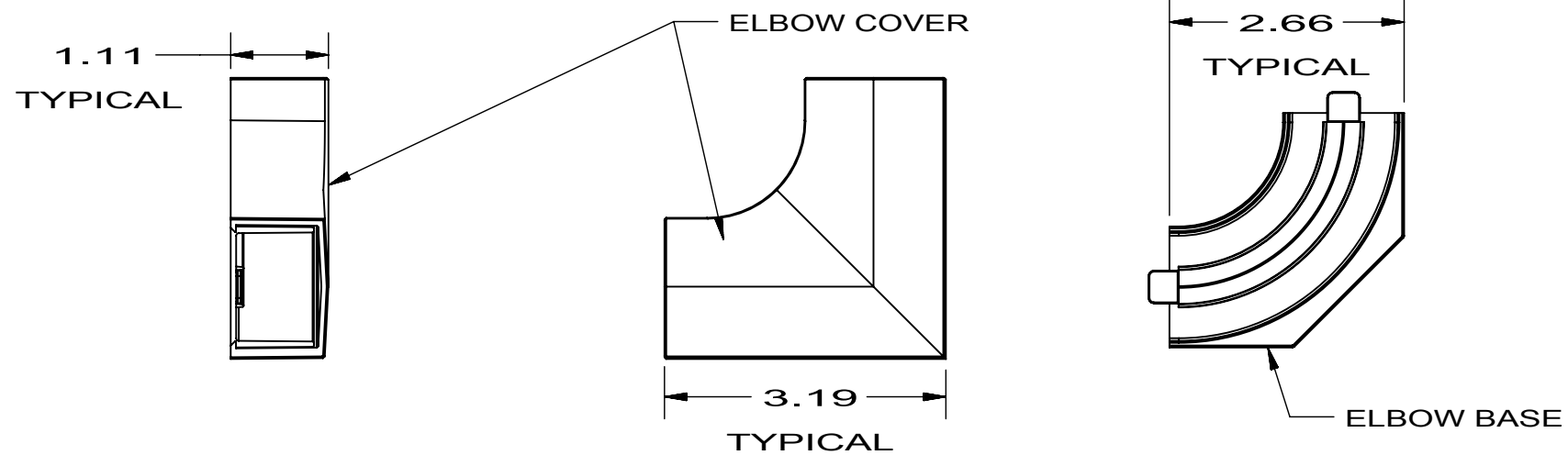
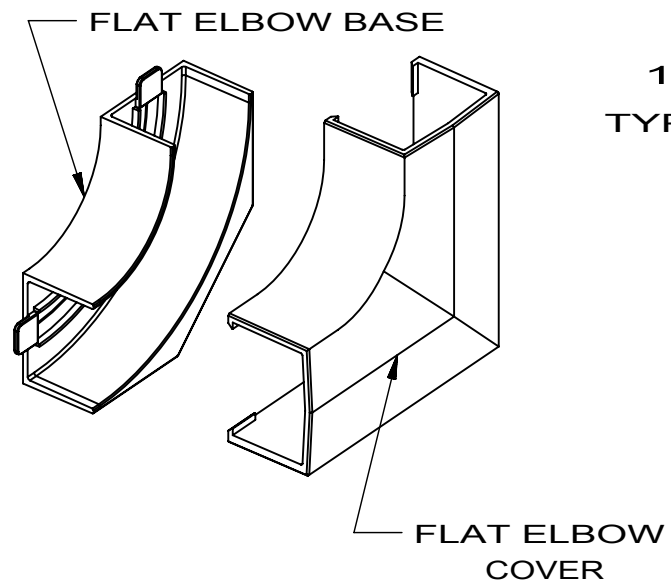


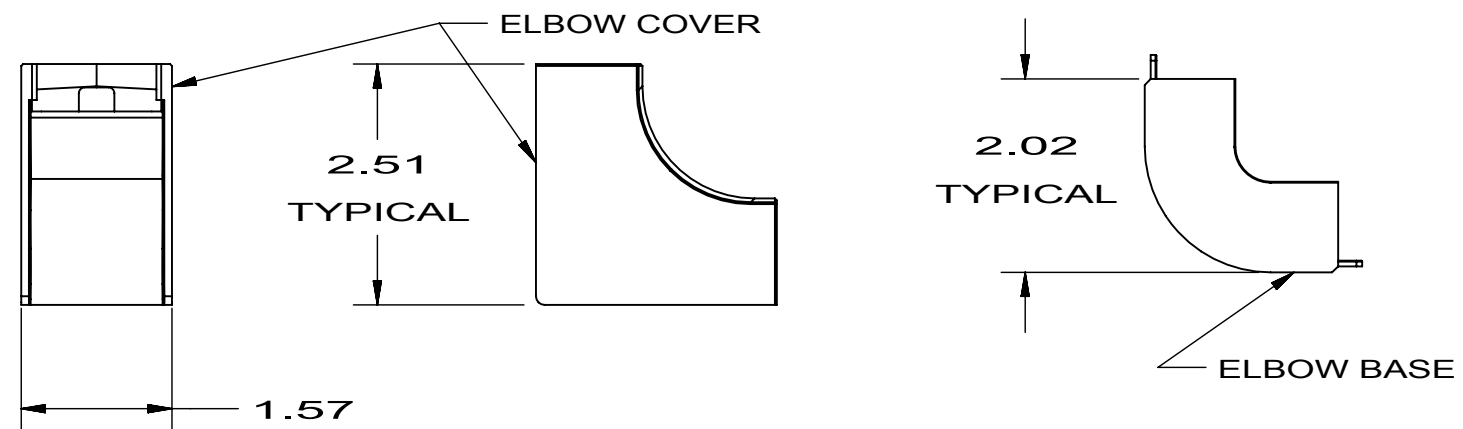
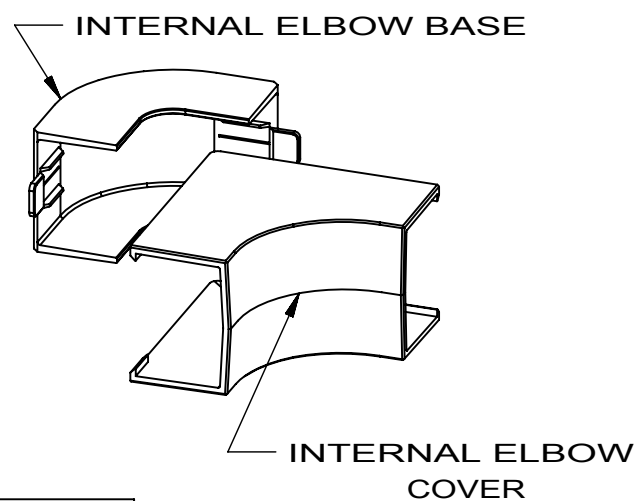
M-8243 2



EXTERNAL ELBOW, COVER ONLY - PL1EE  
EXT. ELBOW, BASE & COVER - PL1EEBC



FLAT ELBOW, COVER ONLY - PL1FE  
FLAT ELBOW, BASE & COVER - PL1FEBC



INTERNAL ELBOW, COVER ONLY - PL1IE  
INTERNAL ELBOW, BASE & COVER - PL1IEBC

LIST OF PARTS

DESCRIPTION	MATERIAL	FINISH
EXTERNAL ELBOW BASE	PVC	SEE NOTE 2
EXTERNAL ELBOW COVER	PVC	SEE NOTE 2
FLAT ELBOW BASE	PVC	SEE NOTE 2
FLAT ELBOW COVER	PVC	SEE NOTE 2
INTERNAL ELBOW BASE	PVC	SEE NOTE 2
INTERNAL ELBOW COVER	PVC	SEE NOTE 2

NOTES:  
1. ALL DIMENSIONS ARE IN INCHES AND (MILLIMETERS).  
2. PARTS ARE AVAILABLE IN CHOICE OF FINISH: OFFICE WHITE, BLACK & WHITE.

2	IN LIST OF PARTS FINISH: SEE TABLE WAS OFFICE WHITE. ADDED NOTES PER DCN 22682. MYA	EJM	10/19/16
1	RELEASED PER DCN 7981		9/1/00
SYM	REVISIONS	APP	DATE

THE DESIGN AND DIMENSIONS OF THE PRODUCT SHOWN ON THIS DRAWING ARE SUBJECT TO CHANGE WITHOUT NOTICE

TITLE	ELBOWS PL1 LANTRAK		
-------	-----------------------	--	--

TOLERANCES UNLESS OTHERWISE SPECIFIED .XX = ± .01 .XXX = ± .005 ANGLES = ± 2°	WIRING DEVICE-KELLEMS HUBBELL INCORPORATED SHELTON, CT	
	DR. BY SRE	APP. BY SRE
	TR. BY	SCALE ---
	CHK. BY SRE	DATE 2/23/00

DIMENSION SHEET FOR CAT. NO. REPAIRABLE  NON-REPAIRABLE  B M-8243 2