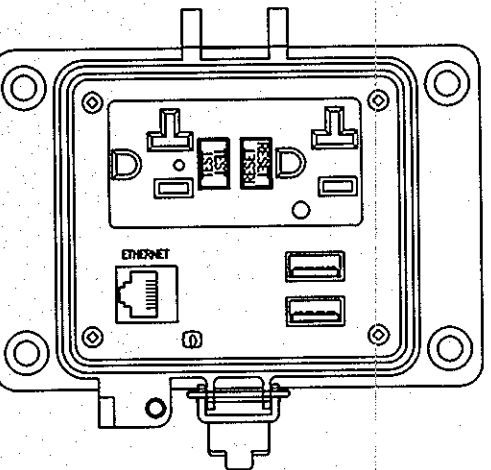
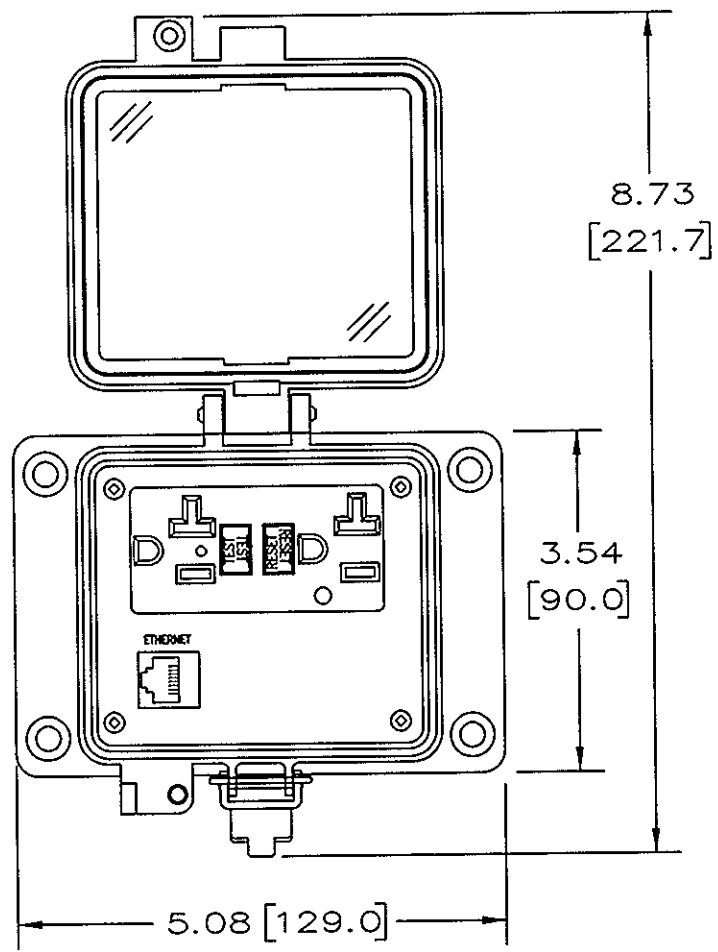
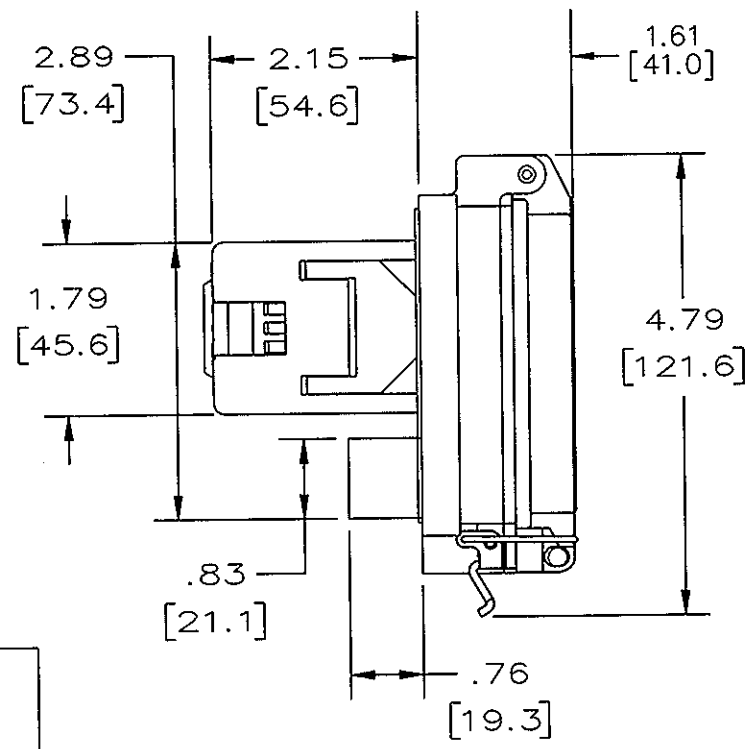
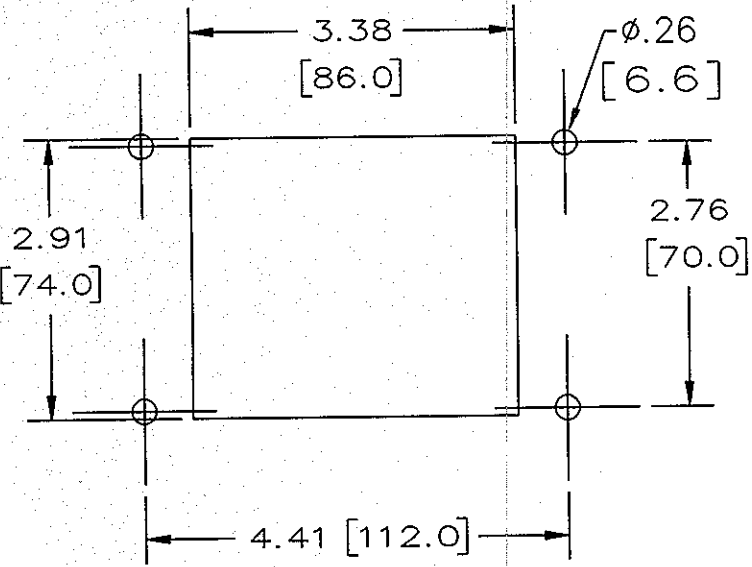


M-10084 6

PANEL CUTOUT



CAT. NO. PR205EUSBA2  
SHOWN WITH LIFT  
COVER REMOVED  
FOR CLARITY

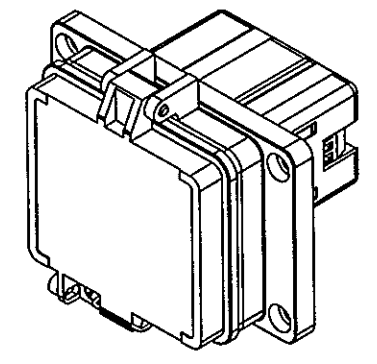
CAT. NO. PR205E  
TOP VIEW SHOWN  
WITH LIFT COVER  
OPEN

NOTE: NOMINAL DIMENSIONS - FOR REFERENCE ONLY

CATALOG	ENCLOSURE	DESCRIPTION
PR205E	NEMA 4	CAT 5E ETHERNET, 20A GFCI
PR4X205E	NEMA 4X	CAT 5E ETHERNET, 20A GFCI
PR205EA	NEMA 4	CAT 5E ETHERNET, 20A GFCI 10KAIC
PR4X205EA	NEMA 4X	CAT 5E ETHERNET, 20A GFCI 10KAIC
PR205EUSBA2	NEMA 4	CAT 5E ETHERNET, 20A GFCI, (2) USB PORTS

LIST OF PARTS

DESCRIPTION	MATERIAL	FINISH



CATALOG NO. PR205E  
(NOT SHOWN TO SCALE)

SYM	REVISIONS	APP	DATE
6	ADDED ISO VIEW TO INDICATE SOLID MODEL DRAWING PER DCN 21895 DDL	DJP	02/25/16
5	IN PANEL CUTOUT VIEW DIA. .26 [6.6] WAS .13 [3.3] ADDED 1.61 [41.0] TO SIDE VIEW. REMOVED BOTTOM VIEW PER DCN 21006.	DJP	2/23/15
4	ADDED PR205EUSBA2 TO TABLE AND NEW TOP VIEW WITH COVER REMOVED. PER DCN 14122 SPN	JPP	7/25/07
3	NEMA 4 WAS NEMA 12/4; ADDED PR205EA & PR4X205EA TO TABLE PER DCN 13470 RCM	SML	2/8/07

THE DESIGN AND DIMENSIONS OF THE PRODUCT SHOWN ON THIS DRAWING ARE SUBJECT TO CHANGE WITHOUT NOTICE

TITLE PANEL-SAFE CAT 5E ETHERNET, 20A GFCI. NEMA 4, 4X

TOLERANCES UNLESS OTHERWISE SPECIFIED  
.XX = ±.01  
.XXX = ±.005  
ANGLES = ±2°

WIRING DEVICE-KELLEMS HUBBELL INCORPORATED SHELTON, CT  
DR. BY TJV APP. BY SML  
TR. BY SCALE 1:2  
CHK. BY SML DATE 3-23-06

DIMENSION SHEET FOR CAT. NO. M-10084

SEE TABLE

REPAIRABLE  NON-REPAIRABLE

B

6