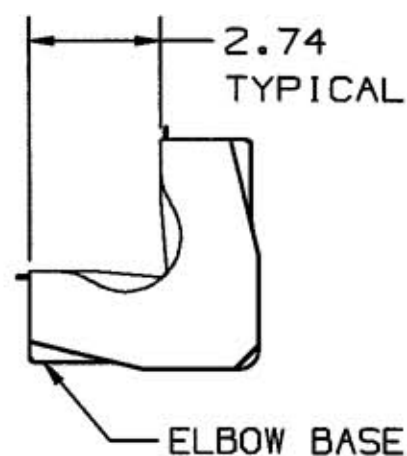
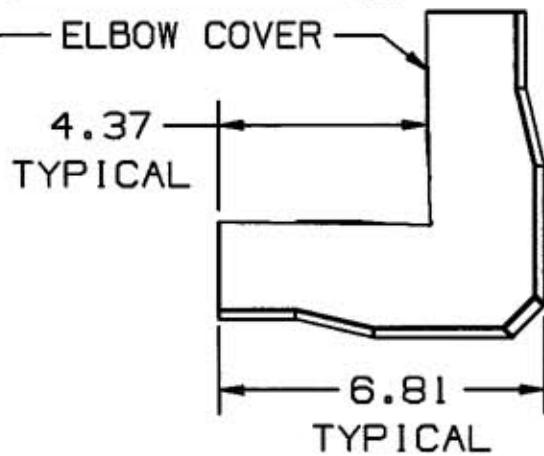
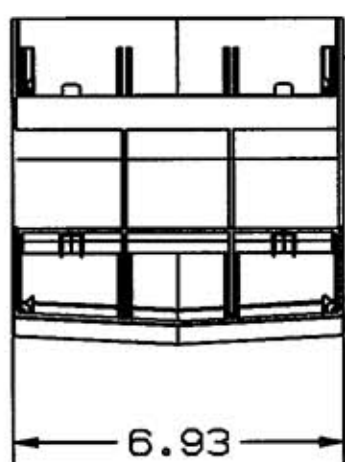
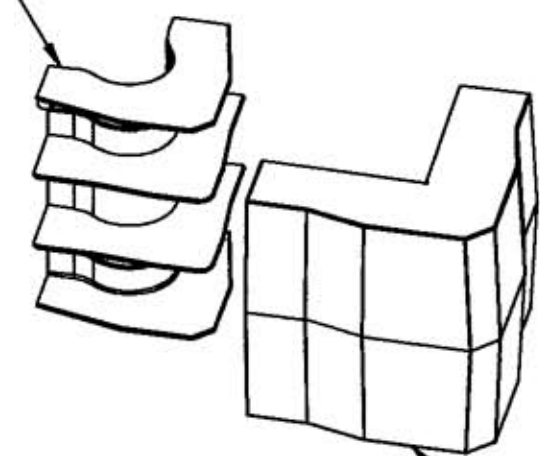


M-8056 1

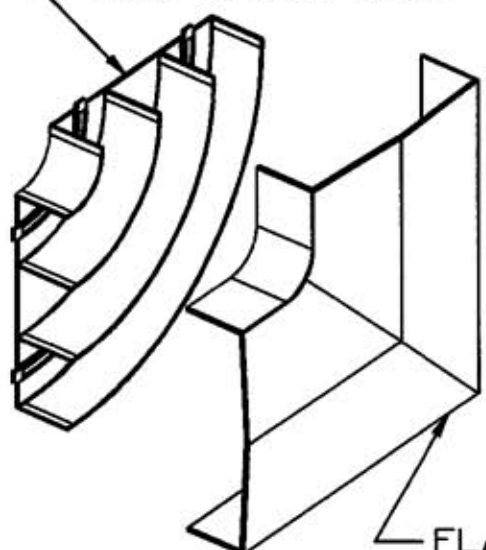
EXTERNAL ELBOW BASE



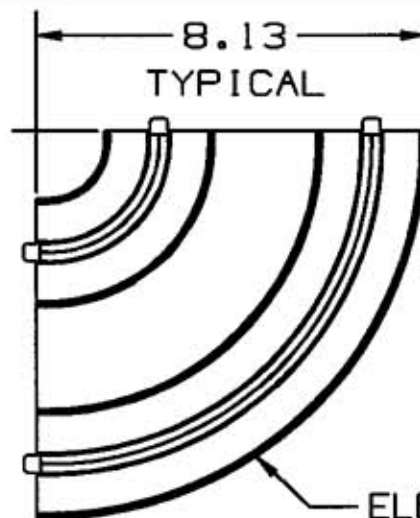
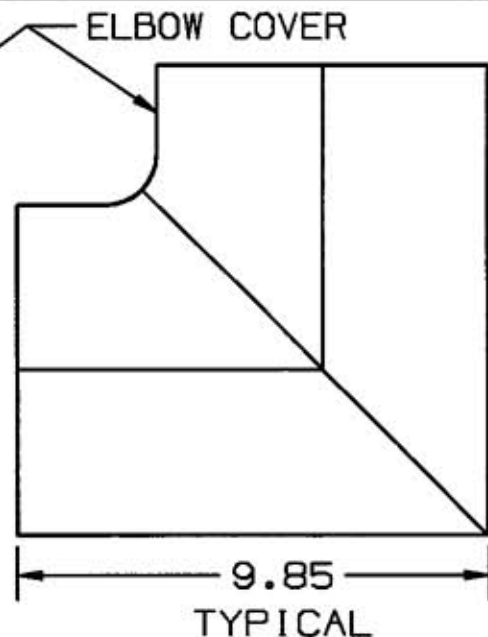
EXTERNAL ELBOW COVER

EXTERNAL ELBOW, COVER ONLY - PS3EE
EXT. ELBOW, BASE & COVER - PS3EEBC

FLAT ELBOW BASE



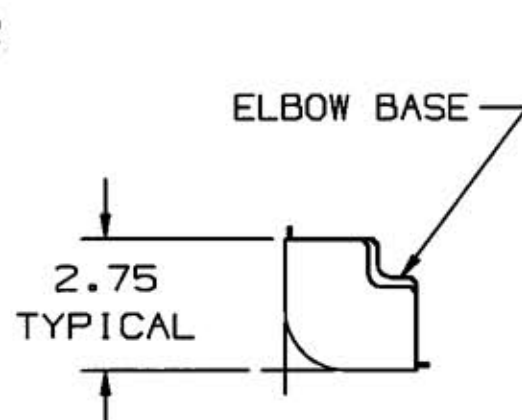
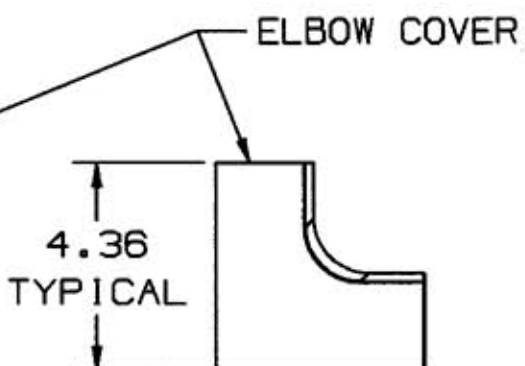
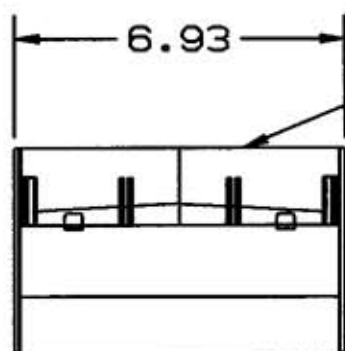
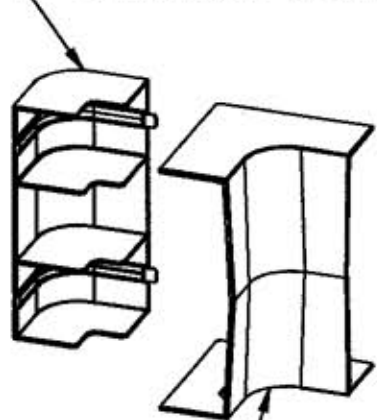
2.08



FLAT ELBOW COVER

FLAT ELBOW, COVER ONLY - PS3FE
FLAT ELBOW, BASE & COVER - PS3FEBC

INTERNAL ELBOW BASE



INTERNAL ELBOW COVER

INTERNAL ELBOW, COVER ONLY - PS3IE
INTERNAL ELBOW, BASE & COVER - PS3IEBC

LIST OF PARTS

DESCRIPTION	MATERIAL	FINISH
EXTERNAL ELBOW BASE	PVC	OFFICE WHITE
EXTERNAL ELBOW COVER	PVC	OFFICE WHITE
FLAT ELBOW BASE	PVC	OFFICE WHITE
FLAT ELBOW COVER	PVC	OFFICE WHITE
INTERNAL ELBOW BASE	PVC	OFFICE WHITE
INTERNAL ELBOW COVER	PVC	OFFICE WHITE

DIMENSION SHEET FOR CAT. NO.

REPAIRABLE

NON-REPAIRABLE

B

M-8056

1

1	RELEASED PER DCN 7454 ^{dy}	SRE	2/14/00
SYM	REVISIONS	APP	DATE

THE DESIGN AND DIMENSIONS OF THE PRODUCT SHOWN ON THIS DRAWING ARE SUBJECT TO CHANGE WITHOUT NOTICE

TITLE
ELBOWS
SUPERBASETRAK

TOLERANCES UNLESS OTHERWISE SPECIFIED FRACTIONS ± 1/64 DECIMALS ± .005 ANGLES ± 2°	WIRING DEVICE-KELLEMS HUBBELL INCORPORATED BRIDGEPORT, CT			
	DR. BY	SRE	APP. BY	SRE
	TR. BY		SCALE	---
	CHK'D BY	SRE	DATE	4/26/99