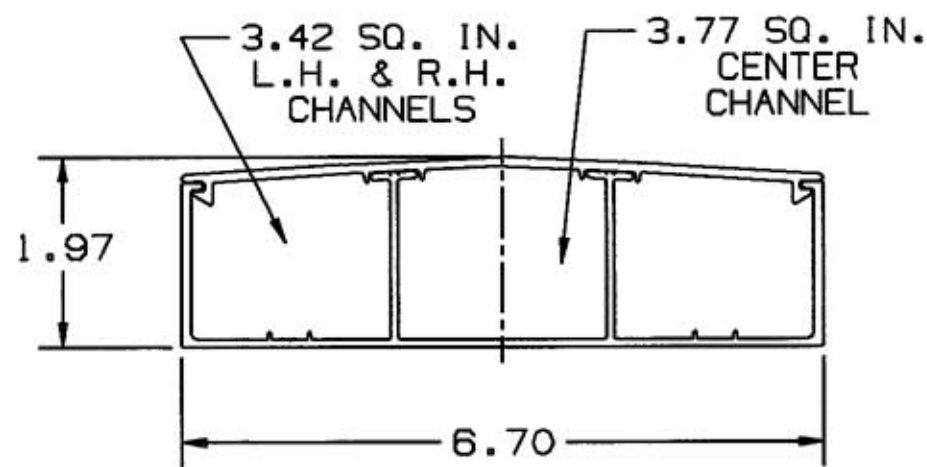
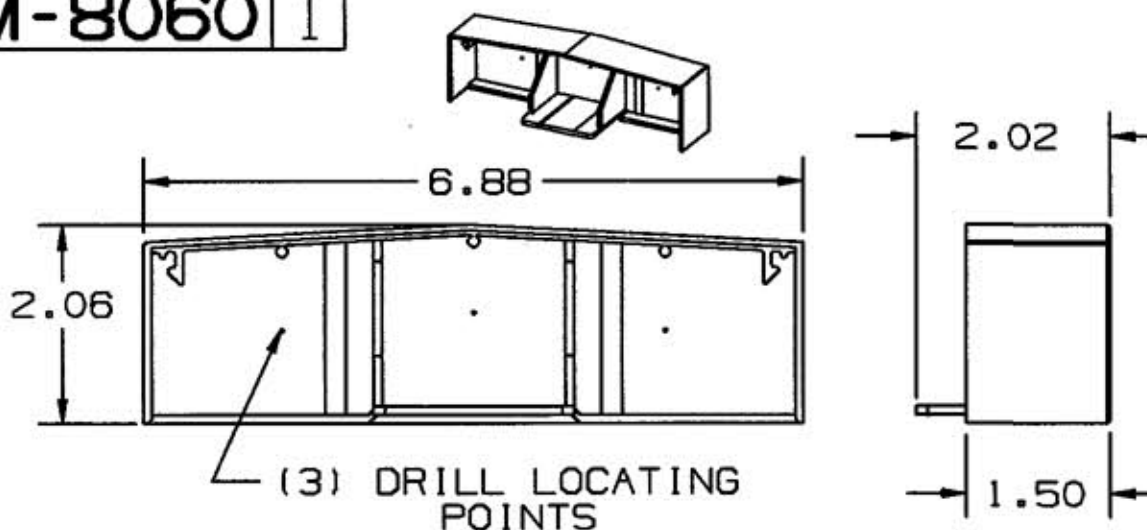


M-8060 1

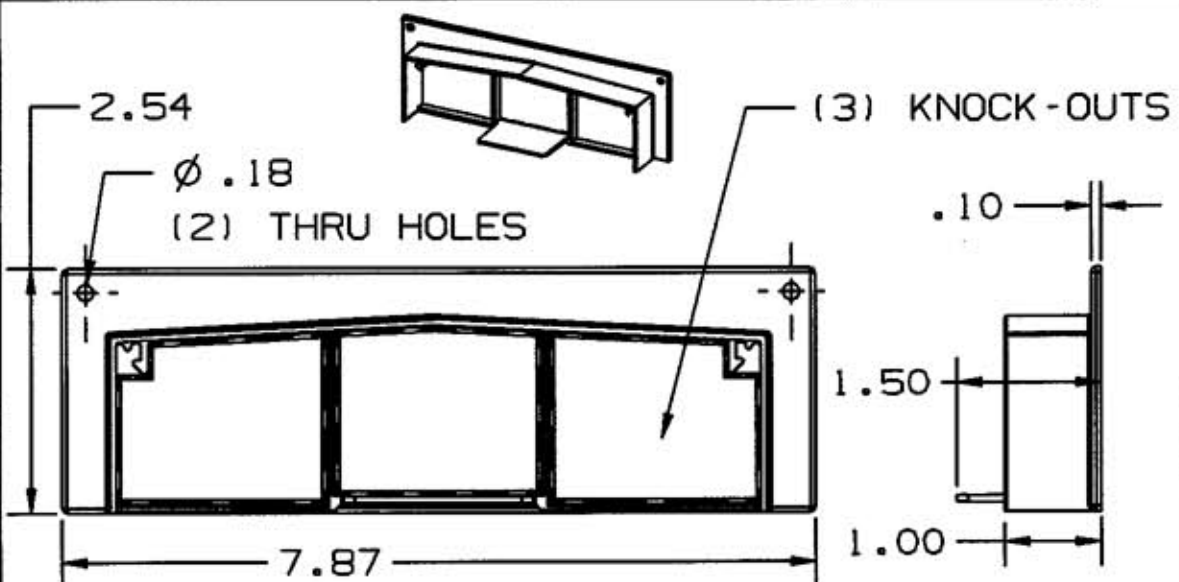


RACEWAY - BASE & COVER 5 FT = PS3BC5  
RACEWAY - BASE & COVER 10 FT = PS3BC10

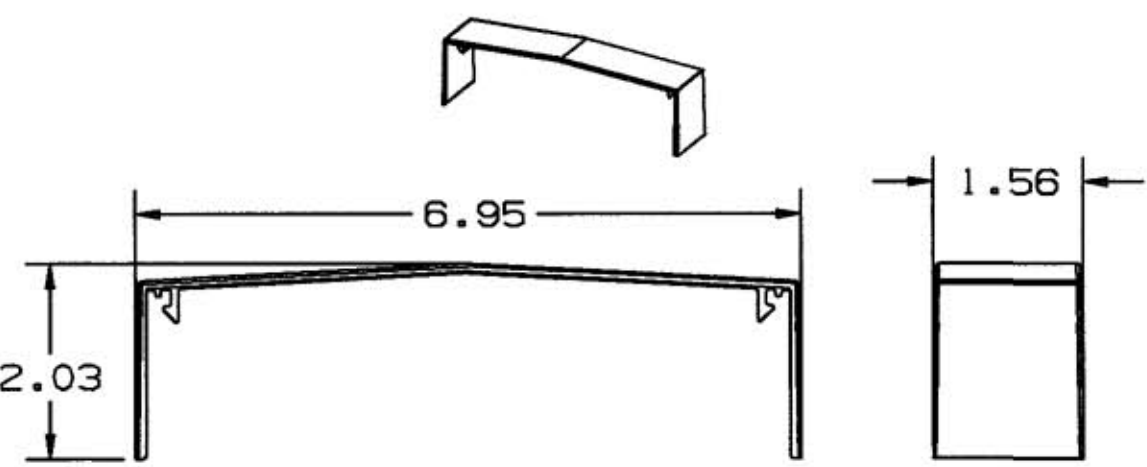


END CAP PS3EC

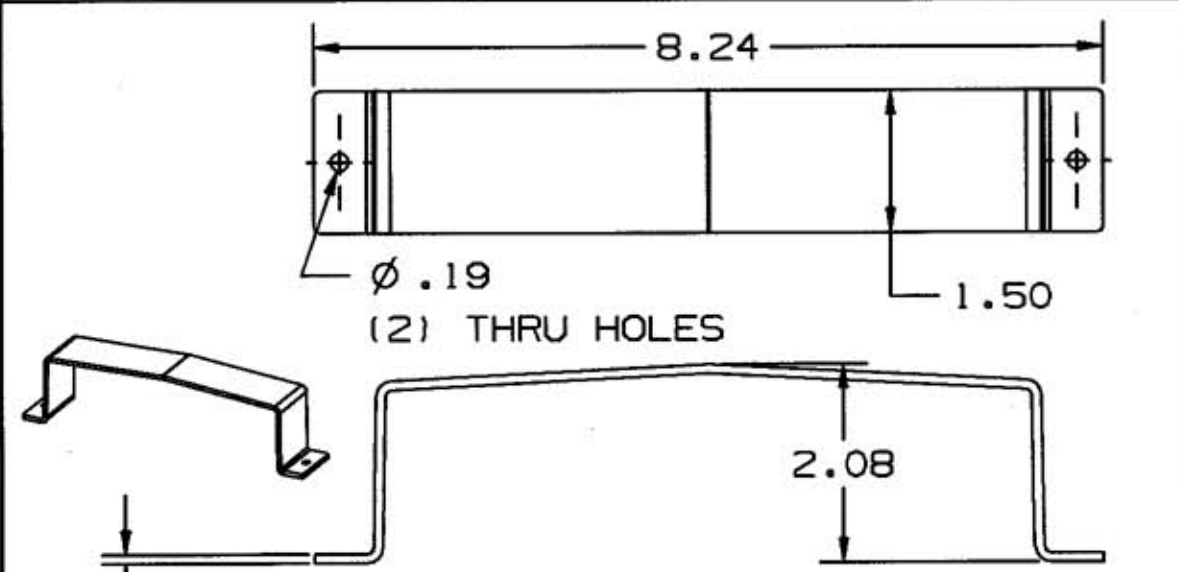
LIST OF PARTS		
DESCRIPTION	MATERIAL	FINISH
RACEWAY COVER	PVC	OFFICE WHITE
RACEWAY BASE	PVC	OFFICE WHITE
END CAP	PVC	OFFICE WHITE
SURFACE PANEL CONNECTOR	PVC	OFFICE WHITE
SPLICE COVER	PVC	OFFICE WHITE
SECURITY STRAP/SPLICE COVER	PVC	OFFICE WHITE
WIRE RETAINING CLIP	PVC	OFFICE WHITE



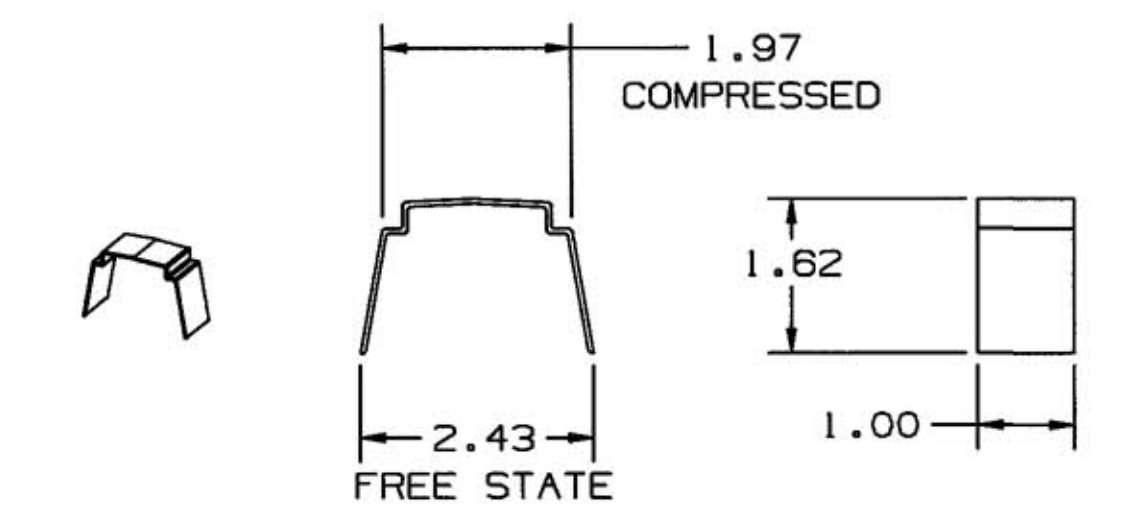
SURFACE PANEL CONNECTOR PS3SPC



SPLICE COVER PS3SC



SECURITY STRAP/SPLICE COVER PS3SS



WIRE RETAINING CLIP PS3WC

1	RELEASED PER DCN 7454	SRE	2/14/00
SYM	REVISIONS	APP	DATE

THE DESIGN AND DIMENSIONS OF THE PRODUCT SHOWN ON THIS DRAWING ARE SUBJECT TO CHANGE WITHOUT NOTICE

TITLE RACEWAY & FITTINGS

TOLERANCES UNLESS OTHERWISE SPECIFIED	WIRING DEVICE-KELLEMS HUBBELL INCORPORATED BRIDGEPORT, CT	
FRACTIONS ± 1/64	DR. BY SRE	APP. BY SRE
DECIMALS ± .005	TR. BY	SCALE - - -
ANGLES ± 2°	CHK'D BY SRE	DATE 4/27/99

DIMENSION SHEET FOR CAT. NO.  REPAIRABLE  NON-REPAIRABLE  B M-8060 1