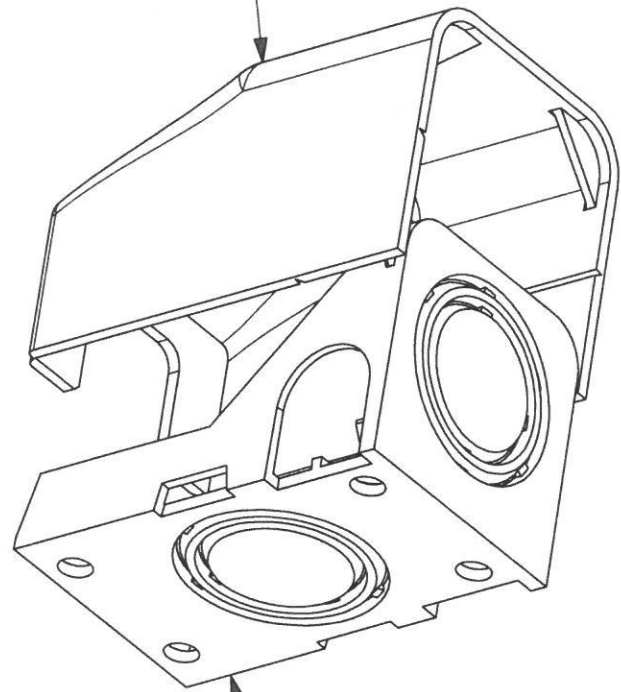


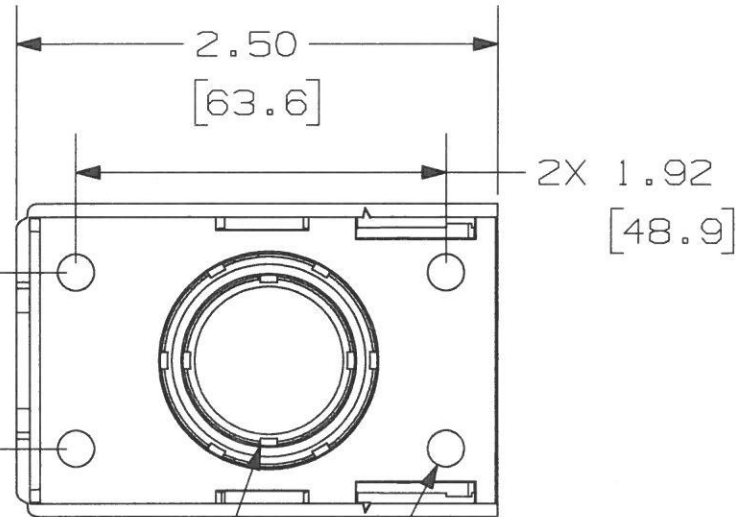
M-9300 3

CONDUIT ADAPTER COVER



CONDUIT ADAPTER BACK

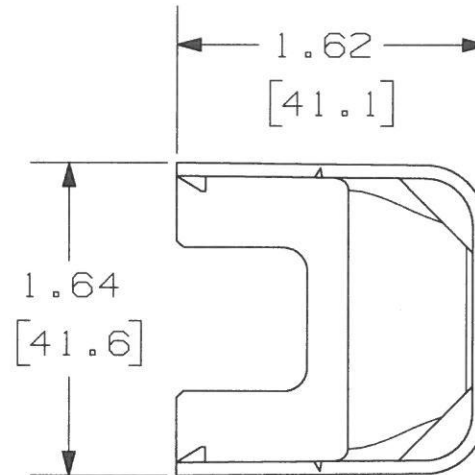
2X .92  
[23.5]



2X 1.92  
[48.9]

KNOCK OUTS FOR:  
1/2" & 3/4"  
CONDUIT SIZES

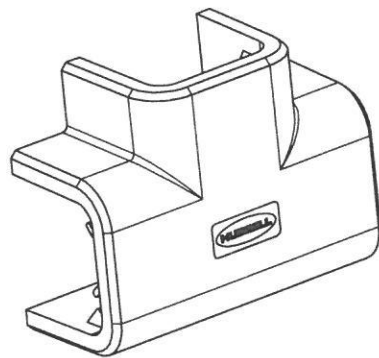
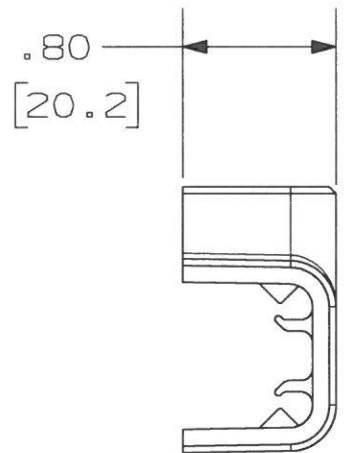
4X Ø.19  
[4.8]



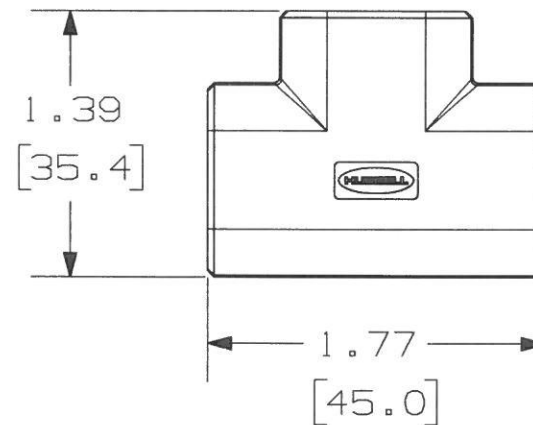
1.64  
[41.6]

1.62  
[41.1]

PT12CA



TEE FITTING COVER



PT1TC

NOTES:

1. DIMENSIONS ARE IN INCHES [mm]
2. ALL PARTS ARE AVAILABLE WITH CHOICE OF FINISHES: OFFICE WHITE, BLACK OR WHITE

LIST OF PARTS

DESCRIPTION	MATERIAL	FINISH
CONDUIT/CEIL. ADAPT. BACK	PVC	SEE NOTE 2
CONDUIT/CEIL. ADAPT. COVER	PVC	SEE NOTE 2
TEE FITTING COVER	PVC	SEE NOTE 2

DIMENSION SHEET FOR CAT. NO.

REPAIRABLE  NON-REPAIRABLE

B

M-9300

W

3	ADDED NOTE 2 FOR FINISHES; REPLACED FINISH WITH 'SEE NOTE 2' IN LIST OF PARTS PER DCN 22630 RM	JM	9/19/16
2	UPDATED COMPONENTS IN VIEWS PER DCN 20220 SPN	OJP	12/13/13
1	RELEASED PER DCN 11559 MYA		2/23/04
SYM	REVISIONS	APP	DATE

THE DESIGN AND DIMENSIONS OF THE PRODUCT SHOWN ON THIS DRAWING ARE SUBJECT TO CHANGE WITHOUT NOTICE

TITLE  
ADAPTERS  
PT1 PREMISETRAK1

TOLERANCES UNLESS OTHERWISE SPECIFIED .XX = ±.01 .XXX = ±.005 ANGLES = ±2°	WIRING DEVICE-KELLEMS HUBBELL INCORPORATED SHELTON, CT	
	DR. BY MYA	APP. BY TCM
	TR. BY	SCALE 1:1
	CHK. BY TCM	DATE 2/23/04