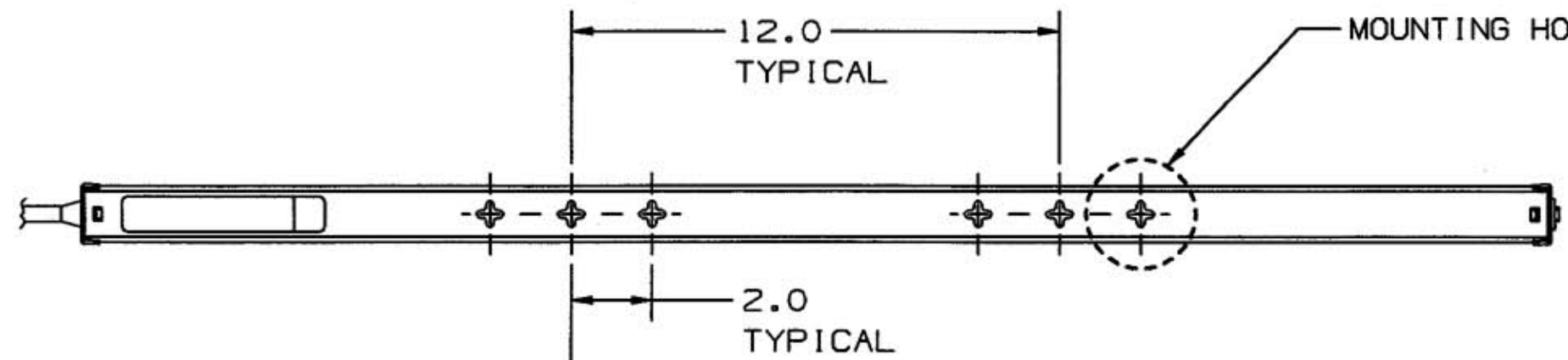
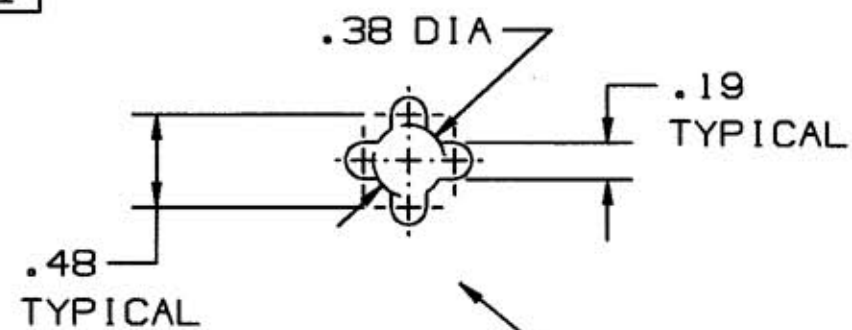
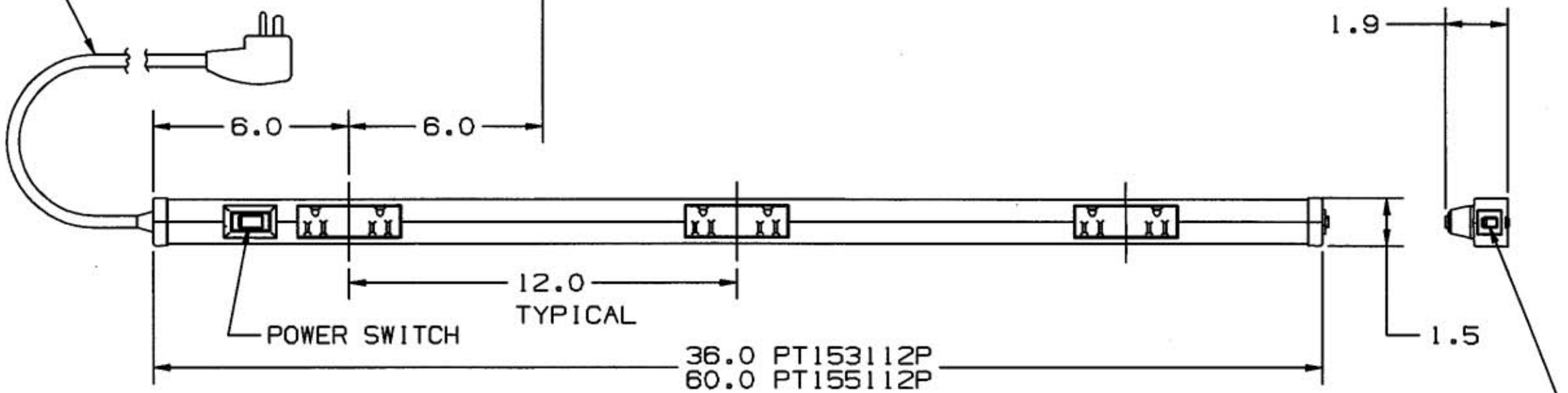


M-8242 1



PARTIAL REAR VIEW

6 FT LONG 14/3, 15 AMP POWER CORD



CATALOG NUMBER PT153112P SHOWN,
 CATALOG NUMBER PT155112P
 SAME EXCEPT OVERALL LENGTH AND
 ADDITIONAL OUTLETS AND
 MOUNTING KEY HOLES

LIST OF PARTS

DESCRIPTION	MATERIAL	FINISH
HOUSING	PVC	OFFICE WHITE
RECEPTACLES	PVC	OFFICE WHITE
END CAPS	PVC	OFFICE WHITE
SWITCH HOUSING	PVC	OFFICE WHITE

DIMENSION SHEET FOR CAT. NO.

REPAIRABLE NON-REPAIRABLE

1	RELEASED PER DCN 7981	SRE	9/1/00
SYM	REVISIONS	APP	DATE

THE DESIGN AND DIMENSIONS OF THE PRODUCT SHOWN ON THIS DRAWING ARE SUBJECT TO CHANGE WITHOUT NOTICE

TITLE PORTABLE PLUGTRAK - NON-METALLIC RELOCATABLE POWER TAP

TOLERANCES UNLESS OTHERWISE SPECIFIED FRACTIONS ± 1/64 DECIMALS ± .005 ANGLES ± 2°	WIRING DEVICE-KELLEMS HUBBELL INCORPORATED BRIDGEPORT, CT	
	DR. BY SRE	APP. BY SRE
	TR. BY	SCALE 1:4
	CHK'D BY SRE	DATE 2-23-00

B

M-8242

1