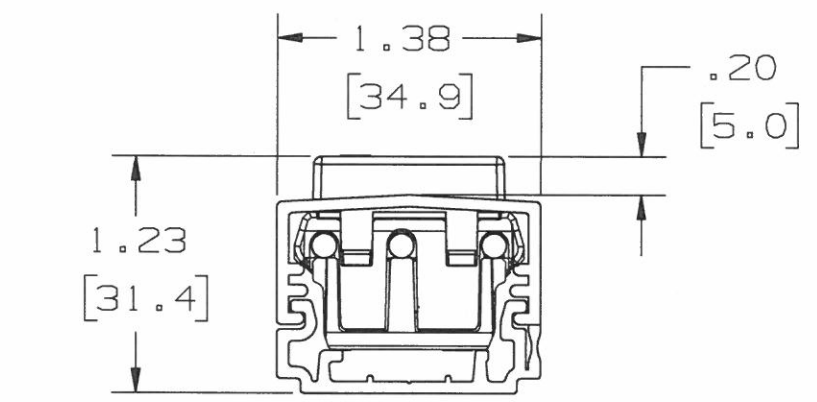
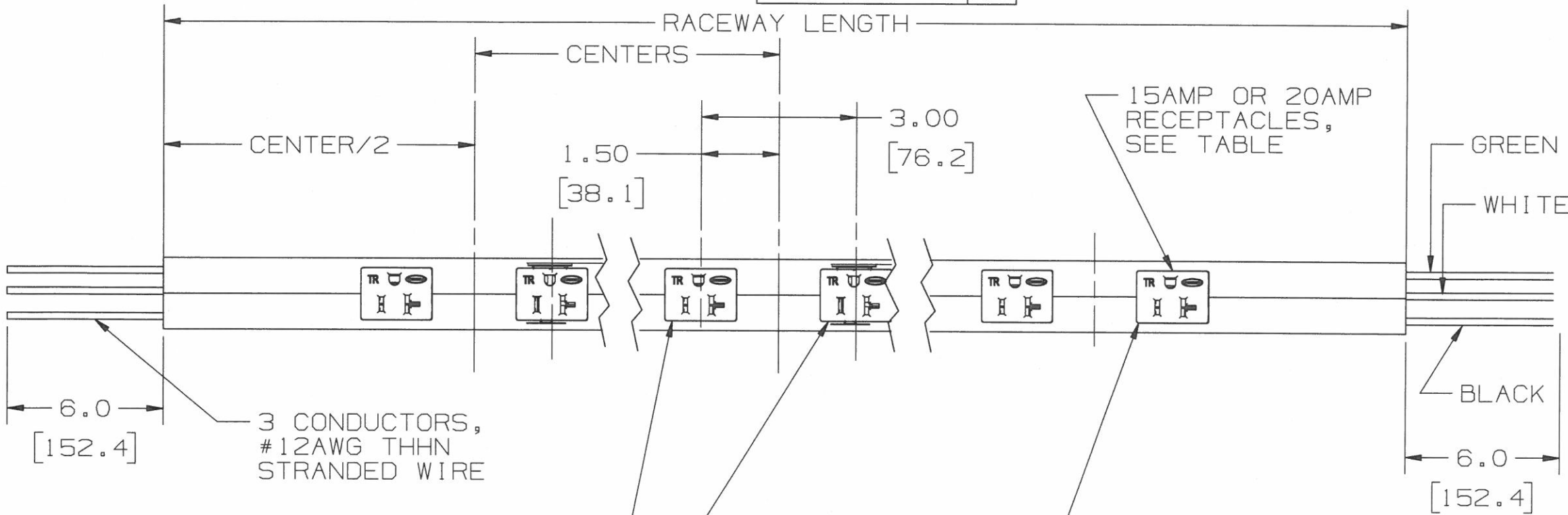


M-12015 4



NOTE:
 SINGLE RECEPTACLES ARE MOUNTED IN PAIRS AS SHOWN. PAIRS OF RECEPTACLES ARE LOCATED SYMMETRICALLY IN THE OVERALL LENGTH.

SEE TABLE FOR TOTAL NUMBER OF SINGLE RECEPTACLES

LIST OF PARTS		
DESCRIPTION	MATERIAL	FINISH
RACEWAY	PVC	SEE NOTE 2
RECEPTACLES	PVC	SEE NOTE 2
CONTACTS	COPPER ALLOY	NONE

DIMENSION SHEET FOR CAT. NO. M-12015
 REPAIRABLE NON-REPAIRABLE
 SEE TABLE
 B
 4

CATALOG NUMBER	CONFIGURATION	RACEWAY LENGTH	NO. OF CIRCUITS	CENTERS	NO. OF SINGLE RECEPTACLES
PT155112TR	15AMP PER NEMA 5-15R	5.0 FT [152 CM]	1	12.0 [305]	10
PT205112TR	20AMP PER NEMA 5-20R	5.0 FT [152 CM]	1	12.0 [305]	10

4	IN LIST OF PARTS FOR RACEWAY AND RECEPTACLES FINISH SEE NOTE 2 WAS OFFICE WHITE; ADDED NOTE PER DCN 22918 RM	EM	3/20/17
3	UPDATED END VIEW PER DCN21271	AD	6/4/15
2	RELEASED PER DCN20888	AD	11/6/14
1	RELEASED PER DCN18223	SM	8/1/11
SYM	REVISIONS	APP	DATE

THE DESIGN AND DIMENSIONS OF THE PRODUCT SHOWN ON THIS DRAWING ARE SUBJECT TO CHANGE WITHOUT NOTICE

TITLE
 PLUGTRAK - TAMPER RESISTANT NON-METALLIC, MULTI-OUTLET ASSEMBLIES

WIRING DEVICE-KELLEMS HUBBELL INCORPORATED SHELTON, CT

TOLERANCES UNLESS OTHERWISE SPECIFIED
 .XX = ±.01
 .XXX = ±.005
 ANGLES = ±2°

DR. BY SRE	APP. BY SM
TR. BY	SCALE NONE
CHK. BY SM	DATE 8/1/11

NOTES:
 1) ALL DIMENSIONS ARE IN INCHES AND [MILLIMETERS]
 2) PARTS ARE AVAILABLE WITH CHOICE OF FINISHES: OFFICE WHITE, BLACK & WHITE.