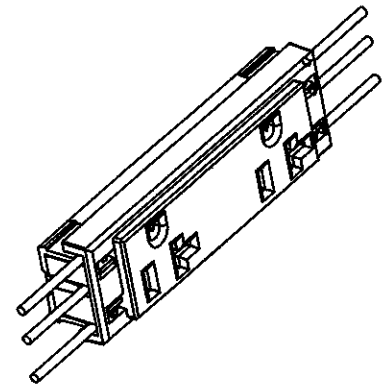
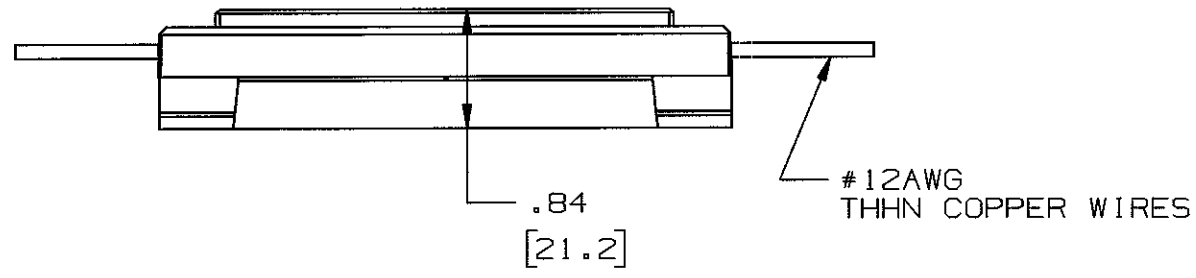
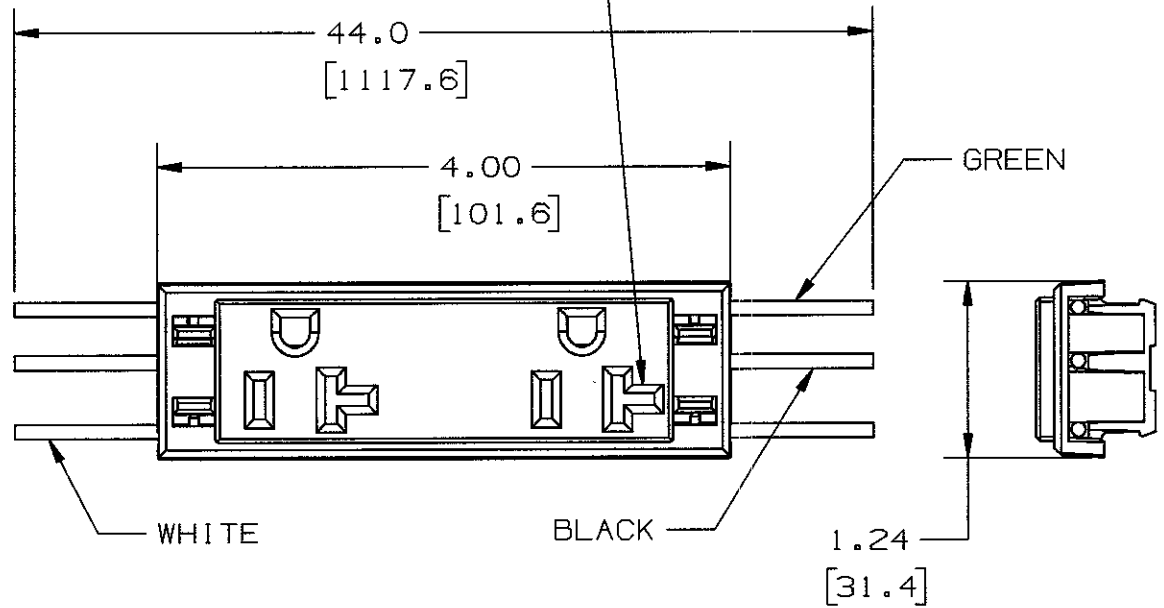


M-10544 2

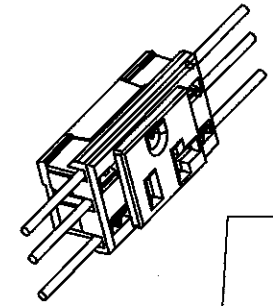


20 AMP DEVICE PER NEMA 5-20R IS SHOWN. 15 AMP DEVICE IS THE SAME SIZE AND SHAPE EXCEPT SLOT. 15A FACE PER NEMA 5-15R.

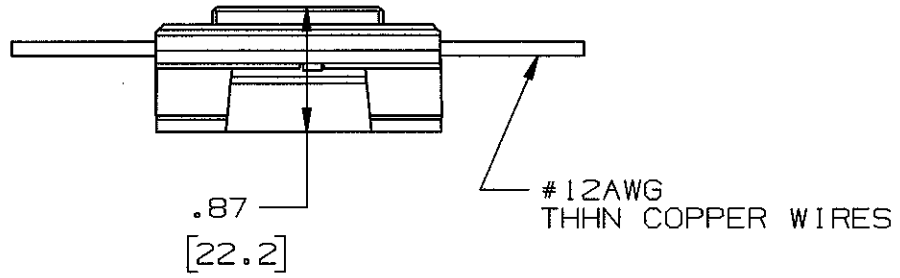
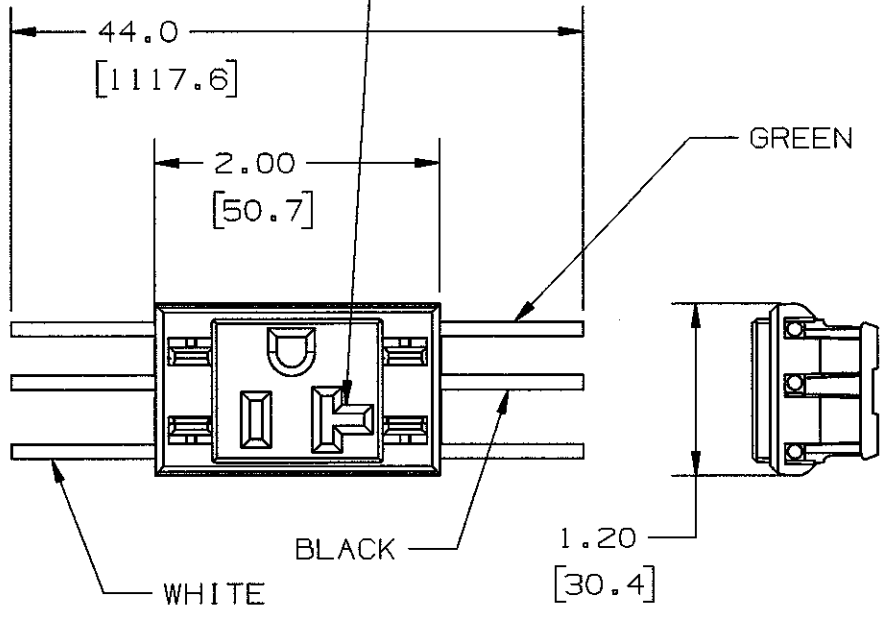


DUPLEX RECEPTACLE

CATALOG NUMBER	COLOR	AMPERAGE
PT2RC	OFFICE WHITE	15A
PT2R	OFFICE WHITE	20A
PT2RCIG	ORANGE	15A
PT2RIG	ORANGE	20A



20 AMP DEVICE PER NEMA 5-20R IS SHOWN. 15 AMP DEVICE IS THE SAME SIZE AND SHAPE EXCEPT SLOT. 15A FACE PER NEMA 5-15R.



SINGLE RECEPTACLE

CATALOG NUMBER	COLOR	AMPERAGE
PTIRCIV	IVORY	15A
PTIRIV	IVORY	20A
PTIRCIG	ORANGE	15A
PTIRIG	ORANGE	20A
PTIRCGY	GRAY	15A
PTIRGY	GRAY	20A

LIST OF PARTS

DESCRIPTION	MATERIAL	FINISH
RECEPTACLE FACE	PVC	SEE CHART
RECEPTACLE BASE	PVC	SEE CHART
WIRE	COPPER	----
CONTACTS	BRASS	----

DIMENSION SHEET FOR CAT. NO. SEE TABLE

REPAIRABLE  NON-REPAIRABLE

SYM	REVISIONS	APP	DATE
2	PTIRCGY 15A WAS 20A. PER DCN 15418 SPN	CZH	1/9/09
1	RELEASED PER DCN13892	SRE	4/18/07

THE DESIGN AND DIMENSIONS OF THE PRODUCT SHOWN ON THIS DRAWING ARE SUBJECT TO CHANGE WITHOUT NOTICE

TITLE  
PLUGTRAK RECEPTACLES  
DUPLEX AND SINGLE FACES

TOLERANCES UNLESS OTHERWISE SPECIFIED FRACTIONS ± 1/64 DECIMALS ± .005 ANGLES ± 2°	WIRING DEVICE-KELLEMS HUBBELL INCORPORATED BRIDGEPORT, CT	
	DR. BY SRE	APP. BY SRE
	TR. BY	SCALE NONE
	CHK'D BY SRE	DATE 3/6/07

NOTE: ALL DIMENSIONS IN INCHES AND [MM]