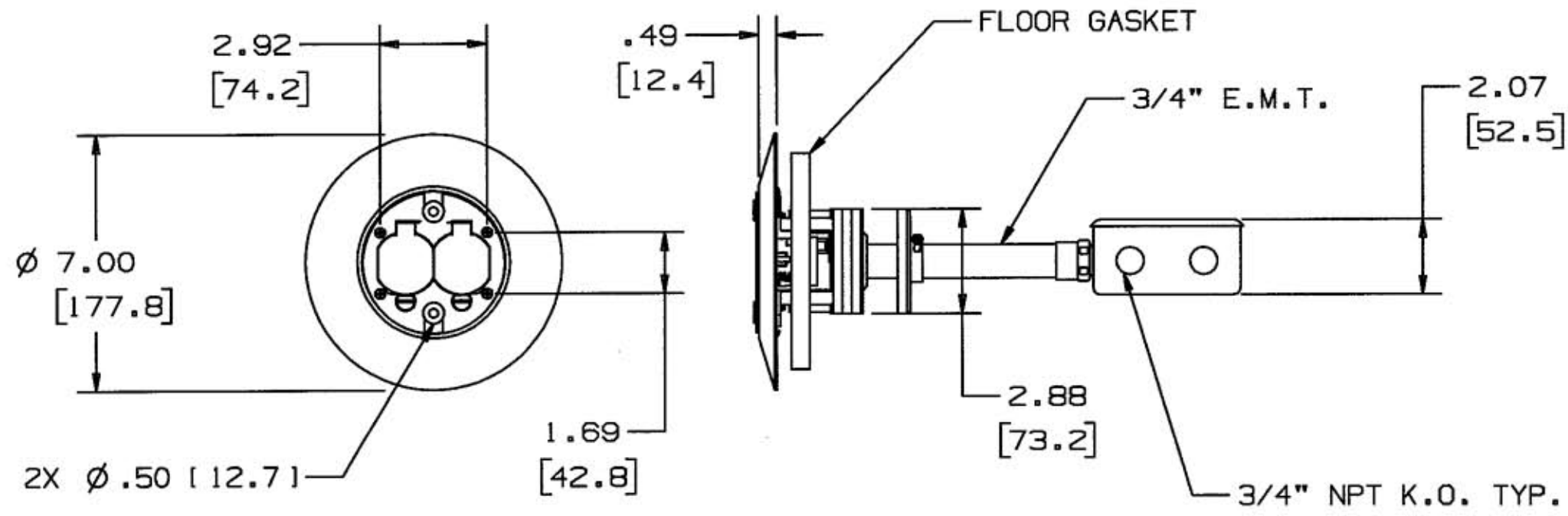
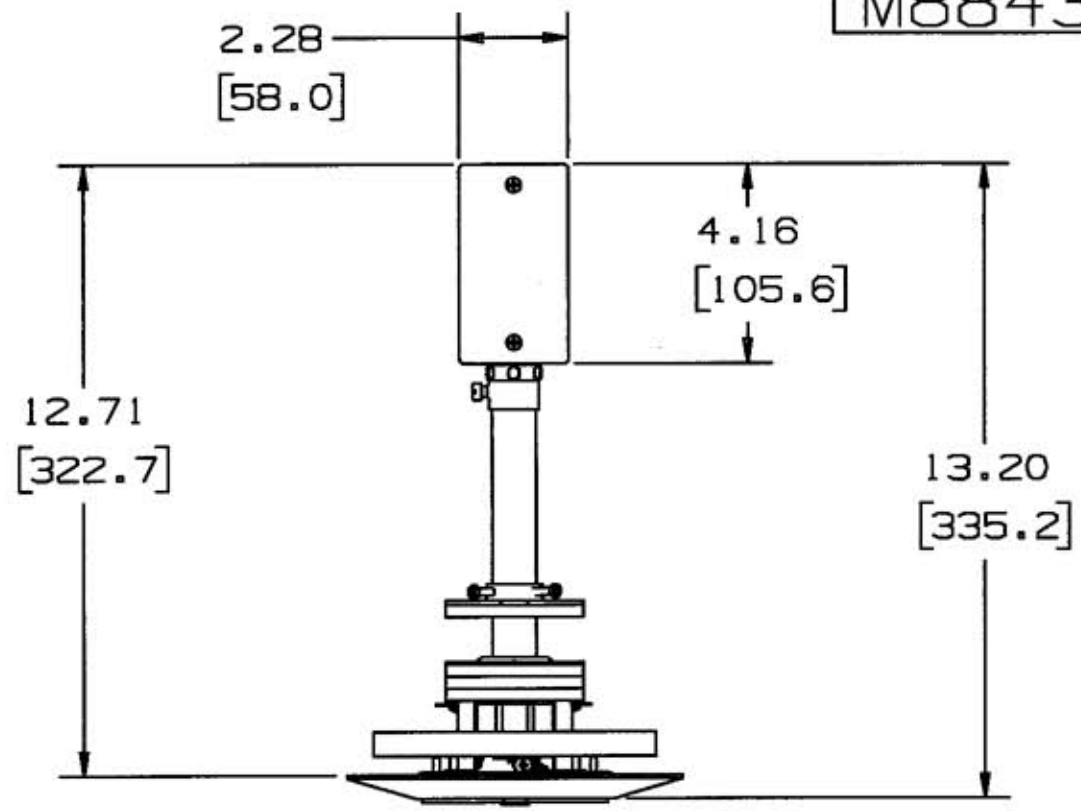


M8843 3



NOTES: (UNLESS OTHERWISE SPECIFIED)
 1) DIMENSIONS ARE: INCHES [MILLIMETERS]
 2) .XX TOLERANCES TO BE ± .03

CATALOG NUMBER	RATING	COLOR
PT7IGFSDBRSA	20A 125V/ISOLATED GROUND	BRASS
PT7FSDBRSA	20A 125V	BRASS

LIST OF PARTS		
DESCRIPTION	MATERIAL	FINISH
LOWER FLAP COVER	ABS	BLACK
FLAP COVER TOP	BRASS	
FLAP	BRASS	
SPRING, FLAP	ST. STEEL	
PIN, HINGE	ST. STEEL	
LOCKING STUD	BRASS	
FLOOR CUP	CRS	GALVANIZED
INSULATOR	POLYMERIC	BLACK
DRIVE SCREW	STEEL	CHROME PLATE
CLIP, POSITION	ST. STEEL	
SCREW	STEEL	ZINC
SUPPORT PLATE	CRS	GALVANIZED
WIRING TUBE	STEEL	GALVANIZED
COLLAR	STEEL	ZINC
FIRE BARRIER LOWER	FIRE BARRIER MAT'L	VINYL COATED
#8 SCREW HEX. HD.	STEEL	ZINC
FLAP GASKET	ELASTOMER	BLACK
PLUG, FLAP COVER	BRASS	
CARPET FLANGE	BRASS	
COVER GASKET	ELASTOMER	BLACK
CONNECTOR	STEEL	ZINC
BOX, JUNCTION	STEEL	GALVANIZED
COVER, JUNCTION BOX	STEEL	GALVANIZED
#10 SCREW	BRASS	GREEN
WASHER, CUPPED	BRASS	
BARRIER, FIRE	FIRE BARRIER MAT'L	VINYL COATED
SCREW TORX PAN HD.	STEEL	ZINC
#12 WIRE ASSY GREEN	NOT SHOWN	
#12 COPPER WIRE WHITE	NOT SHOWN	
#12 COPPER WIRE BLACK	NOT SHOWN	
BUSHING SNAP	NYLON	BLACK
#8 SCREW FLAT HD.	ST. STEEL	
#6 SCREW OVAL HD.	STEEL	ZINC & PAINT
#6 SCREW OVAL HD.	ST. STEEL	PASSIVATED
SCREW FLAT HD.	STEEL	ZINC
DUPLEX RECEPTACLE		
FLOOR GASKET	ELASTOMER	BLACK

3	ADDED NOTES 1 & 2, Ø 2.88 [73.2] DIM. AND "3/4" E.M.T." "2X Ø .50 [12.7]" WAS "1/2" DIA 2X". IN LIST OF PARTS, "#10 SCREW" WAS "#8 SCREW"; REMOVED "PVC" FROM #12 WIRES. CHECKED "REPAIRABLE" BOX PER DCN #12944. JMN	DJP	7/13/06
2	ADDED FLOOR GASKET DCN#10511 PAC		1-3-03
1	INITIAL RELEASE DCN.9494		5-29-02
SYM	REVISIONS	APP	DATE

THE DESIGN AND DIMENSIONS OF THE PRODUCT SHOWN ON THIS DRAWING ARE SUBJECT TO CHANGE WITHOUT NOTICE

TITLE
 FI. FRPT W/ 20A DUPLEX & TEL/DATA

TOLERANCES UNLESS OTHERWISE SPECIFIED	WIRING DEVICE-KELLEMS HUBBELL INCORPORATED BRIDGEPORT, CT	
FRACTIONS ± 1/64	DR. BY TJV	APP. BY
DECIMALS ± .005	TR. BY	SCALE 1/4
ANGLES ± 2°	CHK'D BY	DATE 5-15-02

DIMENSION SHEET FOR CAT. NO. SEE TABLE REPAIRABLE NON-REPAIRABLE B M8843 3