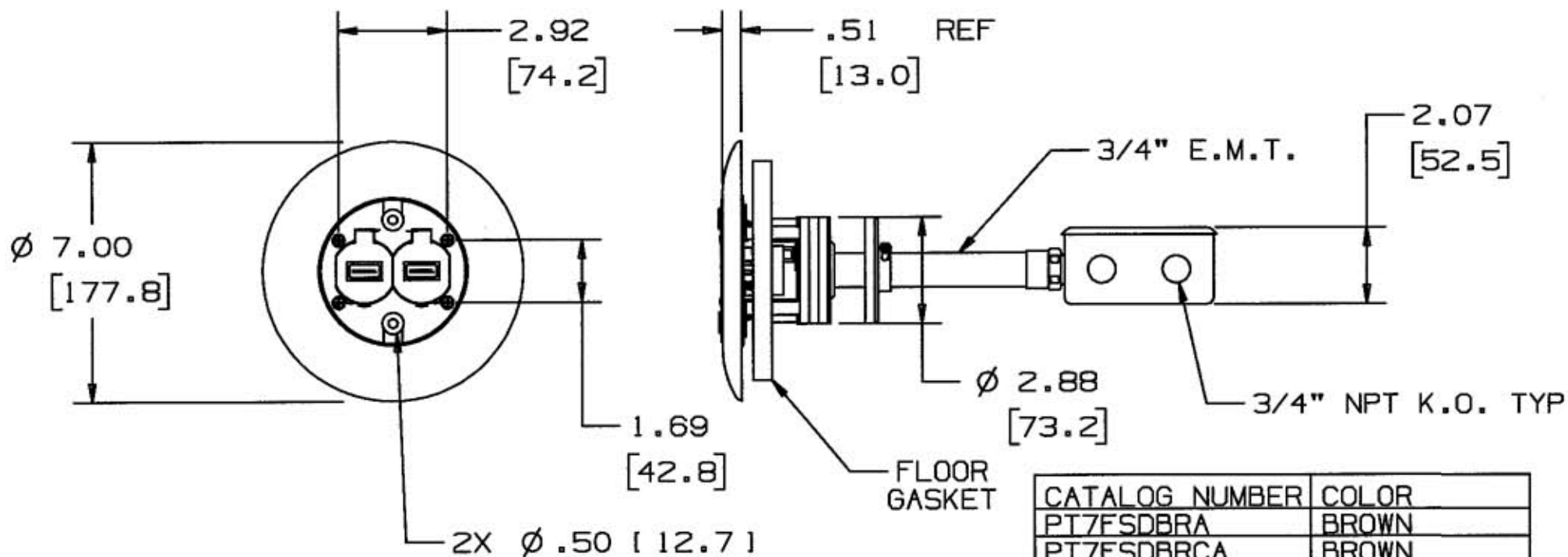
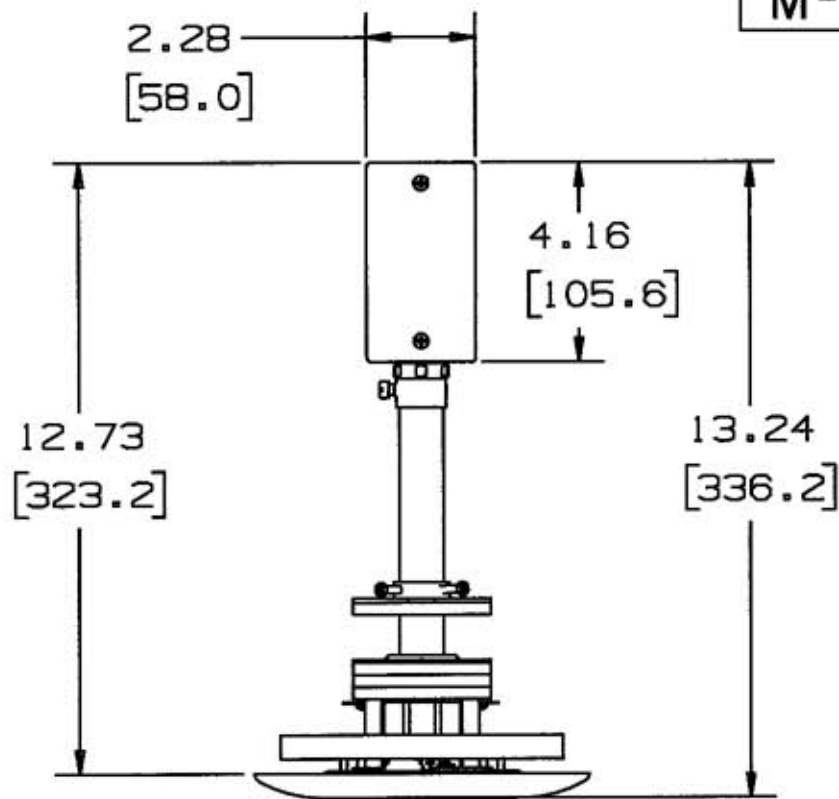


M-8840 4



NOTES: (UNLESS OTHERWISE SPECIFIED)

1) DIMENSIONS ARE: INCHES
[MILLIMETERS]

2) .XX TOLERANCES TO BE ± .03

| CATALOG NUMBER | COLOR |
|----------------|-------------|
| PT7FSDBRA | BROWN |
| PT7FSDBRCA | BROWN |
| PT7FSDBLA | BLACK |
| PT7FSDGYA | GRAY |
| PT7FSDGYCA | GRAY |
| PT7FSDIA | IVORY |
| PT7FSDICA | IVORY |
| PT7FSDBRS3A | BLACK/BRASS |
| PT7IGFSDGYA | GRAY |
| PT7IGFSDIA | IVORY |

LIST OF PARTS

| DESCRIPTION | MATERIAL | FINISH |
|-----------------------|--------------------|--------------|
| FLAP COVER | ABS | SEE TABLE |
| LOWER FLAP COVER | ABS | SEE TABLE |
| FLAP | ABS | SEE TABLE |
| SPRING, FLAP | ST. STEEL | |
| PIN, HINGE | ST. STEEL | |
| FLOOR CUP | CRS | GALVANIZED |
| INSULATOR | POLYMERIC | BLACK |
| DRIVE SCREW | STEEL | CHROME PLATE |
| CLIP, POSITION | ST. STEEL | |
| SCREW | STEEL | ZINC |
| SUPPORT PLATE | CRS | GALVANIZED |
| WIRING TUBE | STEEL | GALVANIZED |
| COLLAR | STEEL | ZINC |
| FIRE BARRIER, LOWER | FIRE BARRIER MAT'L | VINYL COATED |
| #8 SCREW HEX. HD. | STEEL | ZINC |
| FLAP GASKET | ELASTOMER | BLACK |
| PLUG, FLAP COVER | ABS | |
| CARPET FLANGE | ALUMINUM | SEE TABLE |
| COVER GASKET | ELASTOMER | BLACK |
| CONNECTOR | STEEL | ZINC |
| BOX, JUNCTION | STEEL | GALVANIZED |
| COVER, JUNCTION BOX | STEEL | GALVANIZED |
| #10 SCREW | BRASS | GREEN |
| WASHER, CUPPED | BRASS | |
| BARRIER, FIRE | FIRE BARRIER MAT'L | VINYL COATED |
| SCREW TORX PAN HD. | STEEL | ZINC |
| #12 WIRE ASSY GREEN | NOT SHOWN | |
| #12 COPPER WIRE WHITE | NOT SHOWN | |
| #12 COPPER WIRE BLACK | NOT SHOWN | |
| BUSHING SNAP | NYLON | BLACK |
| #8 SCREW FLAT HD. | ST. STEEL | |
| #8 SCREW OVAL HD. | STEEL | ZINC & PAINT |
| #8 SCREW OVAL HD. | ST. STEEL | PASSIVATED |
| SCREW FLAT HD. | STEEL | ZINC |
| DUPLEX RECEPTACLE | | |
| FLOOR GASKET | ELASTOMER | BLACK |

| | | | |
|-----|--|-----|---------|
| 4 | ADDED NOTES 1 & 2, Ø 2.88 [73.2] DIM. AND "3/4" E.M.T.". "2X Ø .50 [12.7]" WAS "1/2" DIA 2X". IN LIST OF PARTS, "#10 SCREW" WAS "#8 SCREW". CHECKED "REPAIRABLE" BOX PER DCN #12944. JMN | DJP | 7/13/06 |
| 3 | REVISED SCREWS TO PHILIPS PER DCN 10827 RCM | DVB | 6/20/03 |
| 2 | ADDED FLANGE GASKET DCN#10511 | SIM | 1-3-03 |
| 1 | INITIAL RELEASE DCN.9494 | SIM | 5-29-02 |
| SYM | REVISIONS | APP | DATE |

THE DESIGN AND DIMENSIONS OF THE PRODUCT SHOWN ON THIS DRAWING ARE SUBJECT TO CHANGE WITHOUT NOTICE

TITLE
FI. FRPT W/DUPLEX & TEL/DATA

| | | | | |
|---------------------------------------|------------------|-----------------|-------------|---|
| TOLERANCES UNLESS OTHERWISE SPECIFIED | FRACTIONS ± 1/64 | DECIMALS ± .005 | ANGLES ± 2° | WIRING DEVICE-KELLEMS HUBBELL INCORPORATED BRIDGEPORT, CT |
| DR. BY TJV | APP. BY SIM | TR. BY | SCALE 1/4 | CHK'D BY |
| | | | | DATE 5-15-02 |