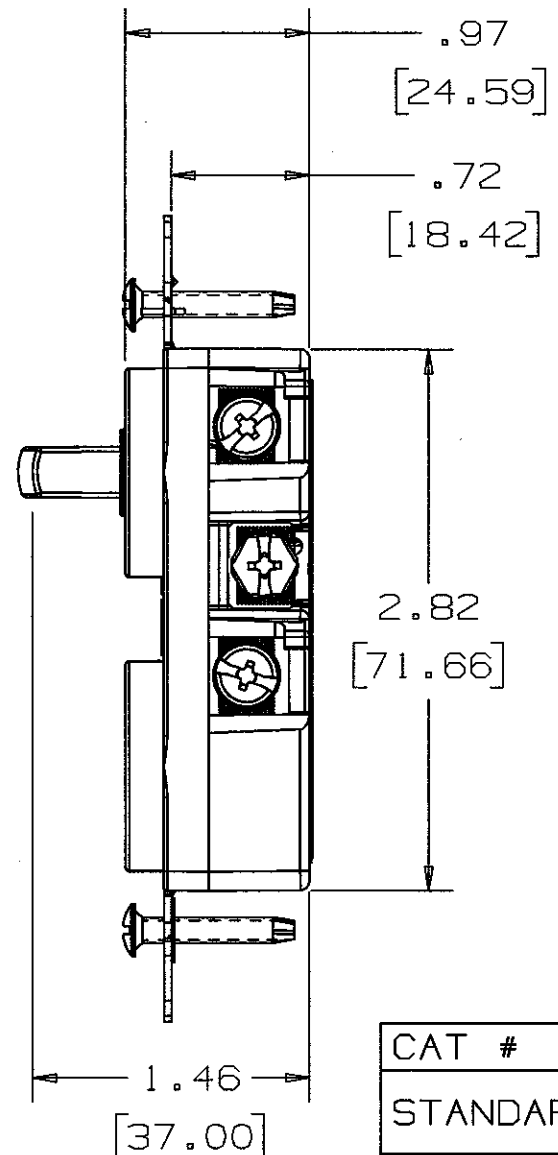
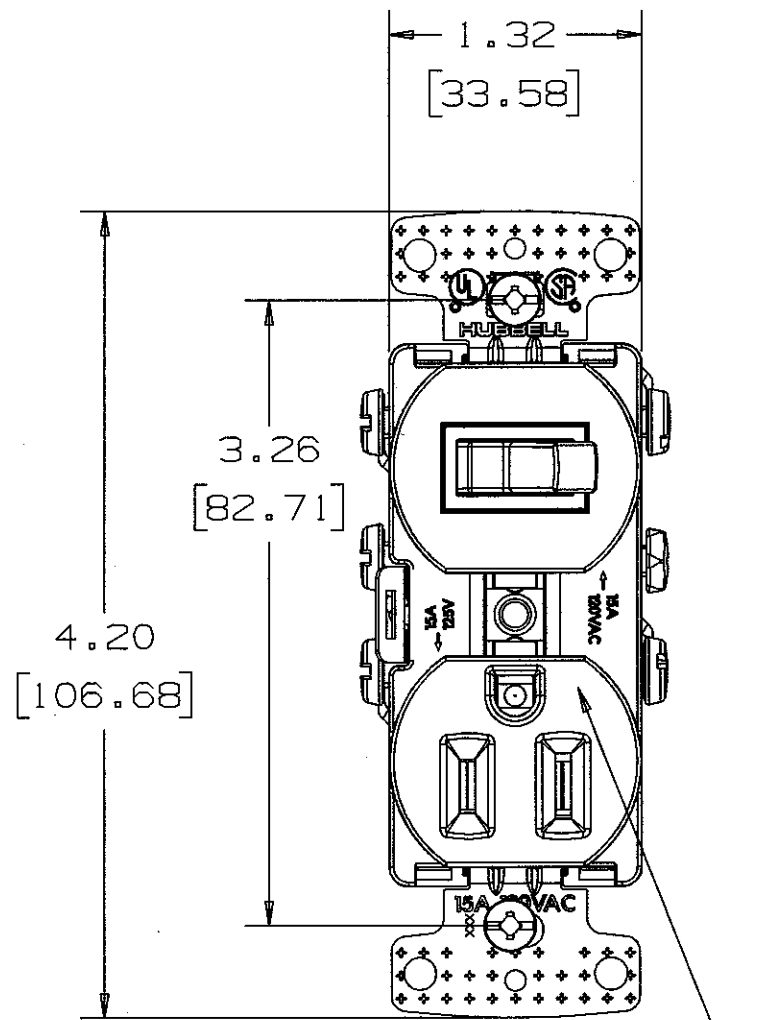
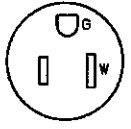


M-9936 2



TAMPER RESISTANT
VERSION MARKED "TR"

DIMENSIONS ARE IN INCHES [MM].

RECEPTACLE CONFIG. AND RATING	SWITCH RATING
NEMA 5-15R 	15A 120VAC

CAT #		COLOR	STYLE
STANDARD	TAMPER RESISTANT		
RC108	RC108TR	BROWN	SINGLE POLE SWITCH W/RECEPT
RC108I	RC108ITR	IVORY	
RC108W	RC108WTR	WHITE	
RC108GY	-	GRAY	
RC108BK	-	BLACK	
RC108AL	RC108ALTR	ALMOND	
RC108LA	RC108LATR	LIGHT ALMOND	3-WAY SWITCH W/RECEPT
RC308	RC308TR	BROWN	
RC308I	RC308ITR	IVORY	
RC308W	RC308WTR	WHITE	
RC308GY	-	GRAY	
RC308BK	-	BLACK	
RC308AL	RC308ALTR	ALMOND	
RC308LA	RC308LATR	LIGHT ALMOND	

LIST OF PARTS			
DESCRIPTION	MATERIAL	FINISH	
SWITCH CONTACTS	SILVER		
BRIDGE	STEEL	ZINC	
BASE	PLASTIC		
COVER	PLASTIC		
TOGGLE	PLASTIC		
CENTER FASTENER	STEEL	ZINC	
TERMINAL	BRASS		
GROUNDING SPRING	SS		
SPRING HOUSING	PLASTIC		
WASHERS	PLASTIC		
MOUNTING SCREW	STEEL	ZINC	
SPRING	STEEL		
ROCKER CONTACT	BRASS		

REPAIRABLE <input type="checkbox"/>	NON-REPAIRABLE <input checked="" type="checkbox"/>
-------------------------------------	--

SYM	REVISIONS	APP	DATE
2	ADDED TAMPER RESISTANT CAT NOS PER DCN 14434	RK FJK	01/22/08
1	RELEASED TO PRODUCTION PER DCN 13485	FJ	10/6/06

THE DESIGN AND DIMENSIONS OF THE PRODUCT SHOWN ON THIS DRAWING ARE SUBJECT TO CHANGE WITHOUT NOTICE

TITLE
15A COMBINATION TOGGLE SWITCH/RECEPTACLE

TOLERANCES UNLESS OTHERWISE SPECIFIED	WIRING DEVICE-KELLEMS HUBBELL INCORPORATED BRIDGEPORT, CT	
FRACTIONS ± 1/64	DR. BY MPF	APP. BY FJ
DECIMALS ± .005	TR. BY	SCALE 1/1
ANGLES ± 2°	CHK'D BY FJ	DATE 10/3/05

DIMENSION SHEET FOR CAT. NO. M-9936
 SEE TABLE
 REPAIRABLE NON-REPAIRABLE
 B
 M-9936
 2