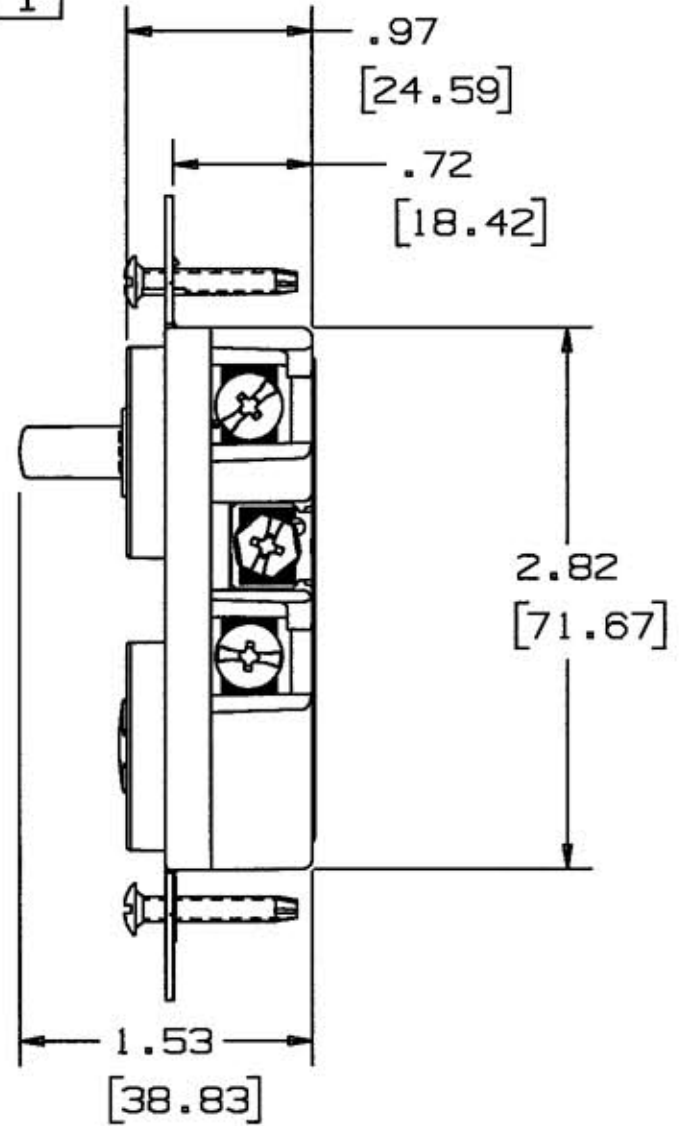
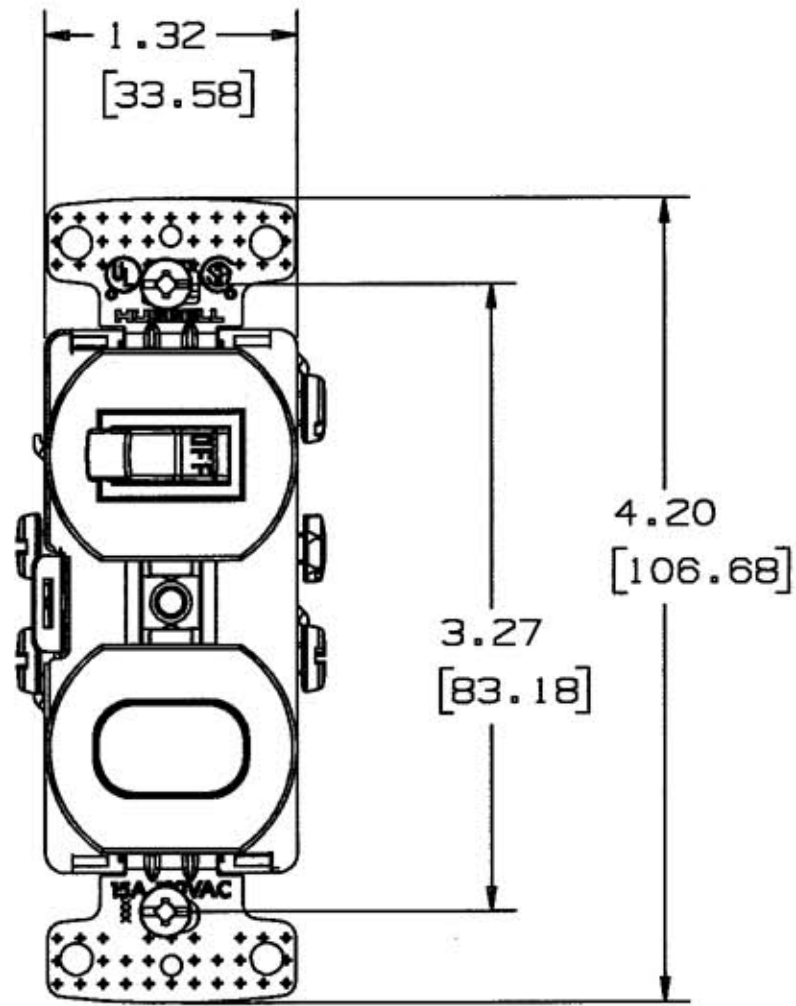


M-9937 1



LIST OF PARTS		
DESCRIPTION	MATERIAL	FINISH
SWITCH CONTACTS	SILVER	
BRIDGE	STEEL	ZINC
BASE	PLASTIC	
COVER	PLASTIC	
TOGGLE	PLASTIC	
CENTER FASTENER	STEEL	ZINC
TERMINAL	BRASS	
GROUNDING SPRING	SS	
SPRING HOUSING	PLASTIC	
WASHER	PLASTIC	
MOUNTING SCREW	STEEL	ZINC
ROCKER CONTACT	BRASS	
SPRING	STEEL	
LIGHT COVER	PC	

DIMENSION SHEET FOR CAT. NO. SEE TABLE

REPAIRABLE  NON-REPAIRABLE

CAT #	COLOR	STYLE
RC109	BROWN	SP/LIGHT (SEE NOTE 1)
RC109I	IVORY	
RC109W	WHITE	
RC109GY	GRAY	
RC109BK	BLACK	
RC109AL	ALMOND	
RC109LA	LIGHT ALMOND	
RC309	BROWN	3W/LIGHT (SEE NOTE 1)
RC309I	IVORY	
RC309W	WHITE	
RC309GY	GRAY	
RC309BK	BLACK	
RC309AL	ALMOND	
RC309LA	LIGHT ALMOND	

1	RELEASED TO PRODUCTION PER DCN 13485	FJ	10/8/08
SYM	REVISIONS	APP	DATE

THE DESIGN AND DIMENSIONS OF THE PRODUCT SHOWN ON THIS DRAWING ARE SUBJECT TO CHANGE WITHOUT NOTICE

TITLE	
15A COMBINATION TOGGLE SWITCH/LIGHT	
TOLERANCES UNLESS OTHERWISE SPECIFIED	WIRING DEVICE-KELLEMS HUBBELL INCORPORATED BRIDGEPORT, CT
FRACTIONS ± 1/64	DR. BY MPF
DECIMALS ± .005	APP. BY FJ
ANGLES ± 2°	TR. BY
	SCALE 1/1
	CHK'D BY FJ
	DATE 10/3/05

B M-9937 1

NOTES:  
1. DIMENSIONS ARE IN INCHES [MM].