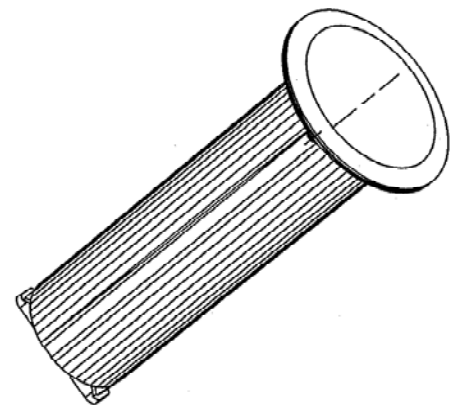
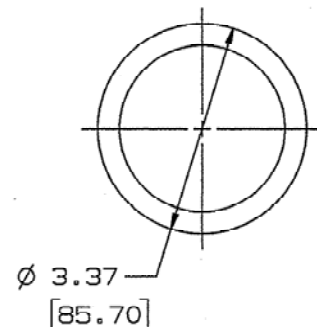
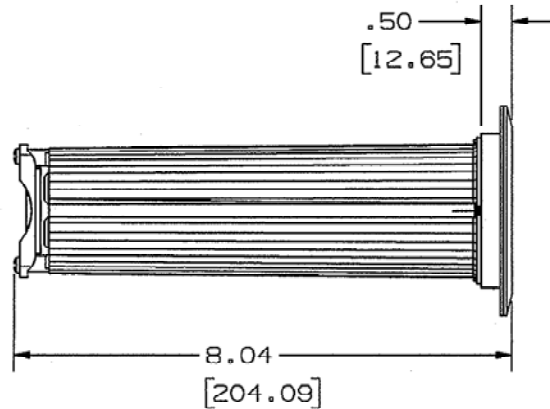
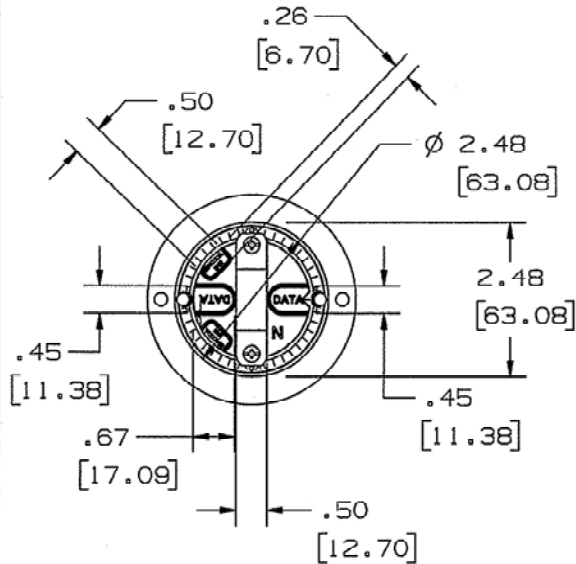


M-10710 1



CATALOG NO'S.	COLOR	CONFIG	RATING
RF151R	BLACK	NEMA 5-15R	15A 125V
RF201R	BLACK	NEMA 5-20R	20A 125V

DIM'S ARE IN INCHES [MM].

CODE 74545

LIST OF PARTS		
DESCRIPTION	MATERIAL	FINISH
RECEPT. FACE	PLASTIC	
DRIVE SCREW	STEEL	ZINC
BASE	PLASTIC	
GROUND STRAP	STEEL	ZINC
TERM ASSY NEUTRAL	BRASS	
TERM ASSY HOT	BRASS	
SCREW	STEEL	ZINC
OUTLET BOX/TUBE	PLASTIC	
COVER	BRASS	
MOUNTING FLANGE	BRASS	
SCREW	BRASS	
OUTLET BOX COVER	PLASTIC	
O-RING	RUBBER	
CORD CLAMP	PLASTIC	
GROUNDING LUG	STEEL	ZINC

REPAIRABLE	NON-REPAIRABLE
<input type="checkbox"/>	<input checked="" type="checkbox"/>

1	02/16/09 RELEASED TO PRODUCTION PER DCN#15522	DMP	02/16/09
SYM	REVISIONS	APP	DATE

THE DESIGN AND DIMENSIONS OF THE PRODUCT SHOWN ON THIS DRAWING ARE SUBJECT TO CHANGE WITHOUT NOTICE

TITLE  
RECESSED RECEPTACLE  
DROP-IN FLOOR BOX

TOLERANCES UNLESS OTHERWISE SPECIFIED		HUBBELL WIRING SYSTEMS BRIDGEPORT, CT	
FRACTIONS	± 1/64	DR. BY	DMP
DECIMALS	± .005	TR. BY	SCALE 1:1
ANGLES	± 2'	CHK'D BY	DMP
		DATE	2/16/09

DIMENSION SHEET FOR CAT. NO. SEE TABLE REPAIRABLE  NON-REPAIRABLE  M-10710 1