

M-9413

6

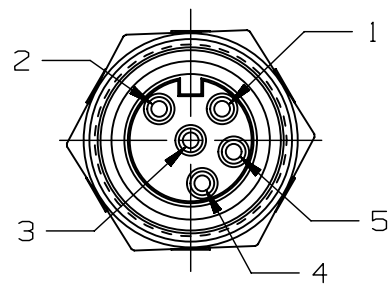


FIGURE 1

WIRE	COLOR
1	BLACK
2	WHITE
3	GREEN/YELLOW
4	BLACK
5	BLACK

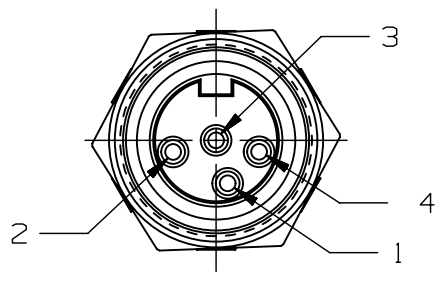


FIGURE 2

WIRE	COLOR
1	BLACK
2	BLACK
3	GREEN/YELLOW
4	BLACK

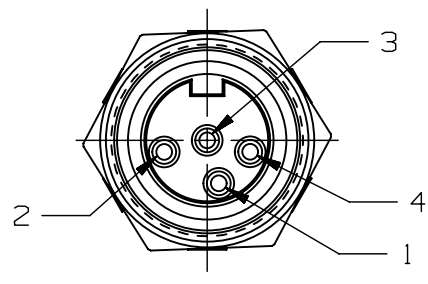


FIGURE 3

WIRE	COLOR
1	BLACK
2	WHITE
3	GREEN/YELLOW
4	BLACK

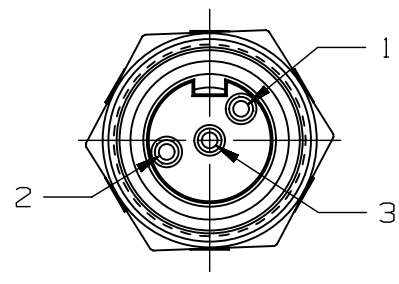


FIGURE 4

WIRE	COLOR
1	BLACK
2	WHITE
3	GREEN/YELLOW

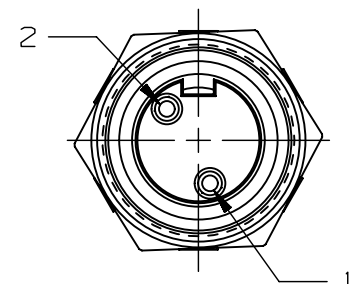


FIGURE 5

WIRE	COLOR
1	BLUE
2	BLUE

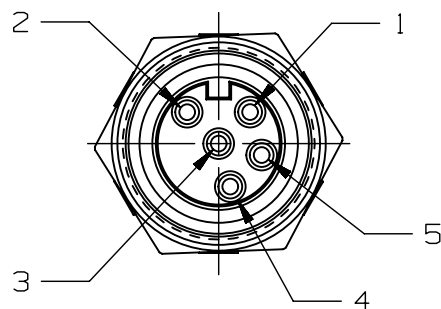


FIGURE 6

WIRE	COLOR
1	BLACK
2	BLACK
3	GREEN/YELLOW
4	BLACK
5	BLACK

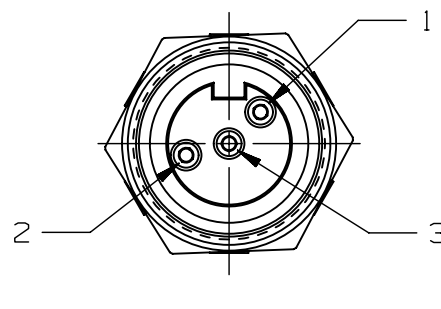


FIGURE 7

WIRE	COLOR
1	BLACK
2	BLACK
3	GREEN/YELLOW

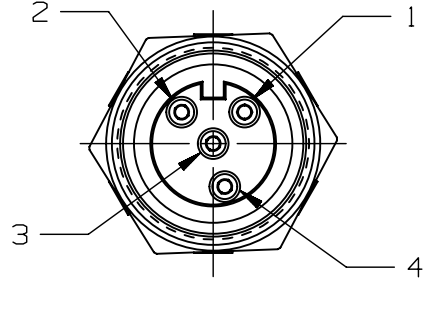


FIGURE 8

WIRE	COLOR
1	BLACK
2	BLACK
3	GREEN/YELLOW
4	BLACK

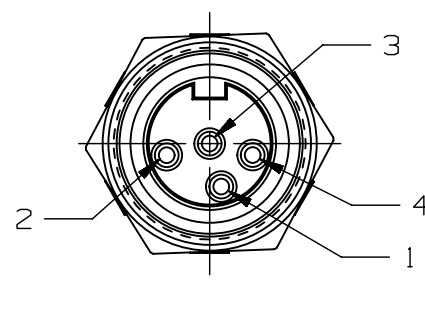


FIGURE 9

WIRE	COLOR
1	BROWN
2	BLACK
3	GREEN/YELLOW
4	GRAY

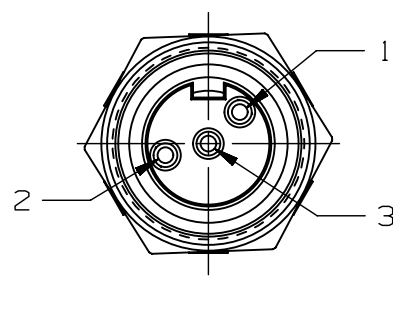
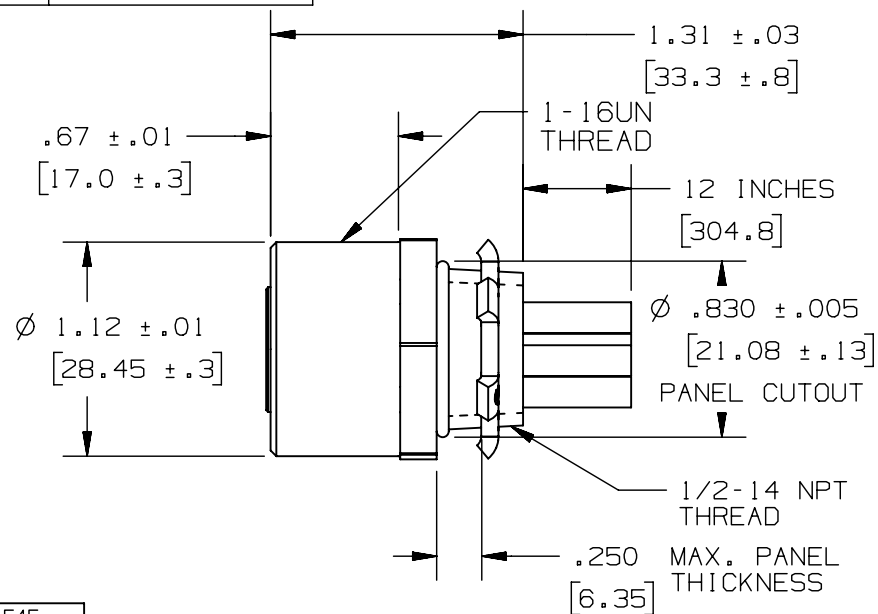


FIGURE 10

WIRE	COLOR
1	BROWN
2	BLUE
3	GREEN/YELLOW



- NOTES UNLESS OTHERWISE SPECIFIED:
- 1) UL LISTED (PRODUCT CATEGORY CYJV) NOT FOR CURRENT INTERRUPT RATING 20A/600VAC. WIRE - LISTED TYPE MTW.
 - 2) DIMENSIONS ARE IN INCHES [mm].
 - 3) THESE DEVICES SHALL CONFORM TO LINKOSITY SPECIFICATIONS -0015, -0177.
 - 4) LINKOSITY™ IS A TRADEMARK OF LOCKHEED MARTIN.

CATALOG NUMBERS (XXX INDICATES LENGTH)	SEE FIGURE NUMBER	NUMBER OF POLES
RF2005PBXXX	1	5
RF2004PAXXX	2	4
RF2004PBXXX	3	4
RF2003PBXXX	4	3
RF2002PBXXX	5	2
RF2005PAXXX	6	5
RF2003PAXXX	7	3
RF2004PAXXXM1	8	4
RF2004PCXXX	9	4
RF2003PCXXX	10	3

LIST OF PARTS		
DESCRIPTION	MATERIAL	FINISH
RECEPTACLE SHELL	BRASS	NICKEL
INSULATOR	NYLON	WHITE
LOCKNUT	STEEL	ZINC
O-RING	RUBBER	BLACK
O-RING	RUBBER	BLACK
SOCKET CONTACT	COPPER ALLOY	GOLD OVER Pd/Ni
WIRE 12 AWG	COPPER	STRANDS

REV	DESCRIPTION	APP	DATE
6	ADDED FIGURE 9 & 10 "RF2003PCXXX" & "RF2004PCXXX" TO TABLE PER DCN190424125625 MYA	GM	04/30/19
5	4/15/09 ADDED FIGURE 8, CATALOG NUMBER RF2004PAXXX PER DCN 15663 RCM	EJM	4/15/09
4	11/03/08 ADDED FIGURE 7, CATALOG NUMBER RF2003PAXXX PER DCN 15264 SPN	DJP	11/03/08
3	7/7/06 ADDED "RF2005PAXXX" & FIGURE 6 PER DCN 13256 RCM	JPP	7/7/06
2	7/08/05 REVISED; ADDED TOLERANCE & METRIC EQUIV. ADDED NOTES 1 THRU 4 PER DCN 12340 CAC	CAC	7/11/05
1	7/19/04 RELEASED PER DCN #11855 MJM	RDK	7/19/04
SYM	REVISIONS	APP	DATE

THE DESIGN AND DIMENSIONS OF THE PRODUCT SHOWN ON THIS DRAWING ARE SUBJECT TO CHANGE WITHOUT NOTICE

TITLE
20A FEMALE RECEPTACLE
LINKOSITY™
HEX MOUNT, 600V

TOLERANCES UNLESS OTHERWISE SPECIFIED		WIRING DEVICE-KELLEMS HUBBELL INCORPORATED SHELTON, CT	
.XX = ±.01	.XXX = ±.005	DR. BY MJM	APP. BY RDK
ANGLES = ±2°		TR. BY	SCALE NONE
		CHK. BY RDK	DATE 7/19/04